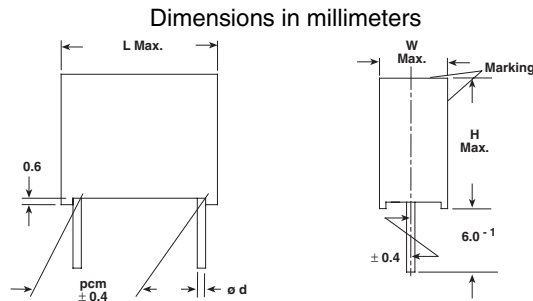


Metallized Polypropylene Film Capacitor

Related Document: IEC 60384-16



PCM	W	Ø d
7.5		0.6
10 - 37.5	< 16.0	0.8
10 - 37.5	≥ 16.0	1.0

MAIN APPLICATIONS

High voltage, high current and high pulse operations, deflection circuits in TV sets (S-correction and fly-back tuning). Protection circuits in SMPS's. Snubber and electronic ballast circuits. Input and output filtering in SPS designs, storage, timing and integrating circuits.

MARKING

Manufacturer's logo/type/C-value/rated voltage/tolerance/date of manufacture

DIELECTRIC

Polypropylene film

ELECTRODES

Vacuum deposited aluminum

COATING

Flame retardant plastic case (UL-class 94 V-0), blue, epoxy resin sealed. Flame class B according to IEC 60065 available on request

CONSTRUCTION

Extended double-sided metallized polyester film, internal series connection (630 VDC/400 VAC to 2000 VDC), double-sided metallized polyester carrier film (refer to general information)

LEADS

Tinned wire

IEC TEST CLASSIFICATION

55/100/56, according to IEC 60068

OPERATING TEMPERATURE RANGE

- 55°C to + 100°C

MAXIMUM PULSE RISE TIME

PCM (mm)	Maximum Pulse Rise Time d_v/d_t [V/µs]						
	160 VDC	250 VDC	400 VDC	630 VDC	1000 VDC	1600 VDC	2000 VDC
7.5	1800	2200	3600	4500	—	—	—
10	820	1140	1840	2280	—	—	—
15	410	560	910	3430	6600	11,100	20,300
22.5	260	320	520	2120	2800	3800	6200
27.5	202	240	400	1524	2000	2680	4200
37.5	140	170	280	980	1280	1690	2600

If the maximum pulse voltage is less than the rated voltage higher d_v/d_t values can be permitted.

FEATURES

Product is completely lead (Pb)-free
Product is RoHS-compliant



CAPACITANCE RANGE

470pF to 6.8µF

CAPACITANCE TOLERANCES

± 20% (M), ± 10% (K), ± 5% (J)



RATED VOLTAGES (U_R):

160 VDC, 250 VDC, 400 VDC, 630 VDC, 1000 VDC, 1600 VDC, 2000 VDC

RoHS
COMPLIANT

PERMISSIBLE AC VOLTAGES (RMS) UP TO 60Hz

100 VAC, 160 VAC, 220 VAC, 250 VAC, 400 VAC, 600 VAC, 650 VAC, 700 VAC

TEST VOLTAGE (ELECTRODE/ELECTRODE)

1.6 x U_R for 2 s

INSULATION RESISTANCE

Measured at 100 VDC after one minute

For C ≤ 0.33µF:

100,000 MΩ minimum value (150,000 MΩ typical value)

TIME CONSTANT

Measured at 100 VDC after one minute

For C > 0.33µF:

30,000 s minimum value (50,000 s typical value)

TEMPERATURE COEFFICIENT

- 250 x 10⁻⁶/°C (typical value)

CAPACITANCE DRIFT

Up to + 40°C, ± 0.5% for a period of two years

DERATING FOR DC AND AC CATEGORY VOLTAGE U_C

At + 85°C: U_C = 1.0 U_R

At + 100°C: U_C = 0.7 U_R

SELF INDUCTANCE

~ 6 nH measured with 2mm long leads

PULL TEST ON LEADS

≥ 30 N in direction of leads according to IEC 60068-2-21

RELIABILITY

Operational life > 300,000 h

Failure rate < 2 FIT (40°C and 0.5 x U_R)

For further details, please refer to the general information available at www.vishay.com/doc?26033.



DISSIPATION FACTOR TAN δ

MEASURED AT	$C \leq 0.1\mu\text{F}$	$0.1\mu\text{F} < C \leq 1.0\mu\text{F}$	$C > 1.0\mu\text{F}$
1kHz	0.3×10^{-3}	0.3×10^{-3}	0.3×10^{-3}
10kHz	0.4×10^{-3}	0.5×10^{-3}	—
100kHz	1.5×10^{-3}	—	—
Maximum values			

CAPACITANCE	CAPACITANCE CODE	VOLTAGE CODE 16 160 VDC/100 VAC				VOLTAGE CODE 25 250 VDC/160 VAC				VOLTAGE CODE 40 400 VDC/220 VAC				VOLTAGE CODE 63 630 VDC/250 VAC			
		W	H	L	PCM	W	H	L	PCM	W	H	L	PCM	W	H	L	PCM
470pF	- 147	—	—	—	—	—	—	—	—	—	—	—	—	4.5	9.5	10.0	7.5
680pF	- 168	—	—	—	—	—	—	—	—	—	—	—	—	3.0	8.5	10.0	7.5
1000pF	- 210	—	—	—	—	—	—	—	—	—	—	—	—	3.0	8.5	10.0	7.5
1500pF	- 215	—	—	—	—	—	—	—	—	—	—	—	—	3.0	8.5	10.0	7.5
2200pF	- 222	—	—	—	—	—	—	—	—	—	—	—	—	3.0	8.5	10.0	7.5
3300pF	- 233	—	—	—	—	—	—	—	—	—	—	—	—	4.0	9.0	10.0	7.5
4700pF	- 247	—	—	—	—	—	—	—	—	4.5	9.5	10.0	7.5	—	—	—	—
6800pF	- 268	—	—	—	—	4.0	9.0	10.0	7.5	5.0	10.5	10.3	7.5	—	—	—	—
0.01 μF	- 310	4.0	9.0	10.0	7.5	4.5	9.5	10.0	7.5	4.5	9.5	13.0	10	—	—	—	—
0.015 μF	- 315	5.0	10.5	10.3	7.5	4.5	9.5	10.0	7.5	5.5	10.5	13.0	10	—	—	—	—
0.022 μF	- 322	4.0	9.0	13.0	10	4.5	9.5	13.0	10	6.5	11.5	13.0	10	—	—	—	—
0.033 μF	- 333	4.5	9.5	13.0	10	5.5	10.5	13.0	10	5.5	10.5	18.0	15	—	—	—	—
0.047 μF	- 347	5.5	10.5	13.0	10	6.5	11.5	13.0	10	6.5	12.5	18.0	15	—	—	—	—
0.068 μF	- 368	6.5	11.5	13.0	10	5.5	10.5	18.0	15	7.5	13.5	18.0	15	—	—	—	—
0.10 μF	- 410	5.5	10.5	18.0	15	6.5	12.5	18.0	15	8.5	14.5	18.0	15	—	—	—	—
0.15 μF	- 415	6.5	12.5	18.0	15	7.5	13.5	18.0	15	8.5	16.5	26.5	22.5	—	—	—	—
0.22 μF	- 422	7.5	13.5	18.0	15	8.5	17.5	18.0	15	10.5	18.5	26.5	22.5	—	—	—	—
0.33 μF	- 433	8.5	17.5	18.0	15	8.5	16.5	26.5	22.5	11.0	21.0	26.5	22.5	—	—	—	—
0.47 μF	- 447	8.5	16.5	26.5	22.5	10.5	18.5	26.5	22.5	13.5	23.5	31.5	27.5	—	—	—	—
0.68 μF	- 468	9.0	17.0	26.5	22.5	11.0	21.0	26.5	22.5	15.0	24.5	31.5	27.5	—	—	—	—
1.0 μF	- 510	11.0	21.0	26.5	22.5	11.5	20.5	31.5	27.5	14.5	24.5	41.5	37.5	—	—	—	—
1.5 μF	- 515	13.5	23.5	31.5	27.5	15.0	24.5	31.5	27.5	18.0	32.5	41.5	37.5	—	—	—	—
2.2 μF	- 522	15.0	24.5	31.5	27.5	16.5	29.5	31.5	27.5	20.0	40.0	42.5	37.5	—	—	—	—
3.3 μF	- 533	18.0	33.0	31.5	27.5	20.0	35.0	31.5	27.5	—	—	—	—	—	—	—	—
4.7 μF	- 547	18.0	32.5	41.5	37.5	20.0	40.0	42.5	37.5	—	—	—	—	—	—	—	—
6.8 μF	- 568	20.0	40.0	42.5	37.5	—	—	—	—	—	—	—	—	—	—	—	—

Further C-values upon request

RECOMMENDED PACKAGING

LETTER CODE	TYPE OF PACKAGING	HEIGHT (H) (mm)	REEL DIAMETER (mm)	ORDERING CODE EXAMPLES	PCM 7.5 - 10	PCM 15	PCM 22.5 - 27.5	PCM 37.5
D	AMMO	16.5	S*	MKP 1841-310-405-D	X	X	—	—
G	AMMO	18.5	S*	MKP 1841-310-405-G	X	X	—	—
F	REEL	16.5	350	MKP 1841-310-405-F	X	X	—	—
W	REEL	18.5	350	MKP 1841-310-405-W	X	X	—	—
V	REEL	18.5	500	MKP 1841-522-165-V	—	X	X	—
G	AMMO	18.5	L*	MKP 1841-522-165-G	—	—	X	—
—	BULK	—	—	MKP 1841-547-255	X	X	X	X

*S = box size 55 x 210 x 340mm (W x H x L)

*L = box size 60 x 510 x 360mm (W x H x L)



CAPACITANCE	CAPACITANCE CODE	VOLTAGE CODE 63 630 VDC/400 VAC				VOLTAGE CODE 10 1000 VDC/600VAC				VOLTAGE CODE 13 1600 VDC/650 VAC				VOLTAGE CODE 20 2000 VDC/700 VAC			
		W	H	L	PCM	W	H	L	PCM	W	H	L	PCM	W	H	L	PCM
470pF	- 147	—	—	—	—	—	—	—	—	—	—	—	—	5.5	10.5	18.0	15
680pF	- 168	—	—	—	—	—	—	—	—	—	—	—	—	5.5	10.5	18.0	15
1000pF	- 210	—	—	—	—	—	—	—	—	5.5	10.5	18.0	15	6.5	14.5	26.5	22.5
1500pF	- 215	—	—	—	—	—	—	—	—	5.5	10.5	18.0	15	6.5	14.5	26.5	22.5
2200pF	- 222	—	—	—	—	5.5	10.5	18.0	15	5.5	10.5	18.0	15	6.5	14.5	26.5	22.5
3300pF	- 233	—	—	—	—	5.5	10.5	18.0	15	6.5	14.5	26.5	22.5	6.5	14.5	26.5	22.5
4700pF	- 247	5.5	10.5	18.0	15	5.5	10.5	18.0	15	6.5	14.5	26.5	22.5	6.5	14.5	26.5	22.5
6800pF	- 268	5.5	10.5	18.0	15	7.5	13.5	18.0	15	6.5	14.5	26.5	22.5	7.5	15.5	26.5	22.5
0.010μF	- 310	5.5	10.5	18.0	15	6.5	14.5	26.5	22.5	6.5	14.5	26.5	22.5	10.5	18.5	26.5	22.5
0.015μF	- 315	6.5	12.5	18.0	15	6.5	14.5	26.5	22.5	7.5	15.5	26.5	22.5	9.0	18.5	31.5	27.5
0.022μF	- 322	7.5	13.5	18.0	15	7.5	15.5	26.5	22.5	8.5	16.5	26.5	22.5	11.5	20.5	31.5	27.5
0.033μF	- 333	7.5	15.5	26.5	22.5	10.5	18.5	26.5	22.5	9.0	18.5	31.5	27.5	13.5	23.5	31.5	27.5
0.047μF	- 347	8.5	16.5	26.5	22.5	9.0	18.5	31.5	27.5	11.5	20.5	31.5	27.5	12.5	22.5	41.5	37.5
0.068μF	- 368	10.5	18.5	26.5	22.5	11.5	20.5	31.5	27.5	12.5	22.5	41.5	37.5	14.5	24.5	41.5	37.5
0.10μF	- 410	11.5	20.5	31.5	27.5	13.5	23.5	31.5	27.5	14.5	24.5	41.5	37.5	16.0	28.5	41.5	37.5
0.15μF	- 415	13.5	23.5	31.5	27.5	12.5	22.5	41.5	37.5	16.0	28.5	41.5	37.5	—	—	—	—
0.22μF	- 422	12.5	22.5	41.5	37.5	14.5	24.5	41.5	37.5	18.0	32.5	41.5	37.5	—	—	—	—
0.33μF	- 433	14.5	24.5	41.5	37.5	16.0	28.5	41.5	37.5	—	—	—	—	—	—	—	—
0.47μF	- 447	16.0	28.5	41.5	37.5	20.0	40.0	42.5	37.5	—	—	—	—	—	—	—	—
0.68μF	- 468	20.0	40.0	42.5	37.5	—	—	—	—	—	—	—	—	—	—	—	—

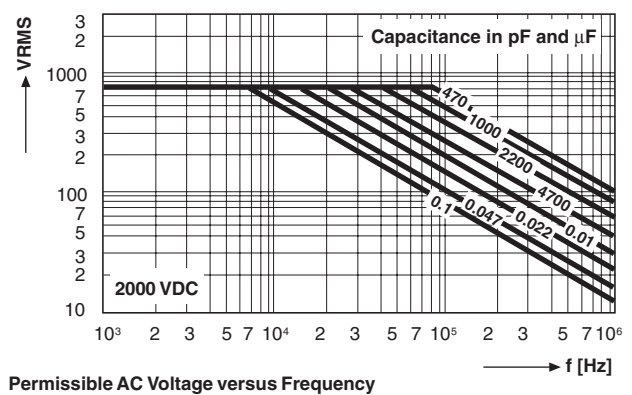
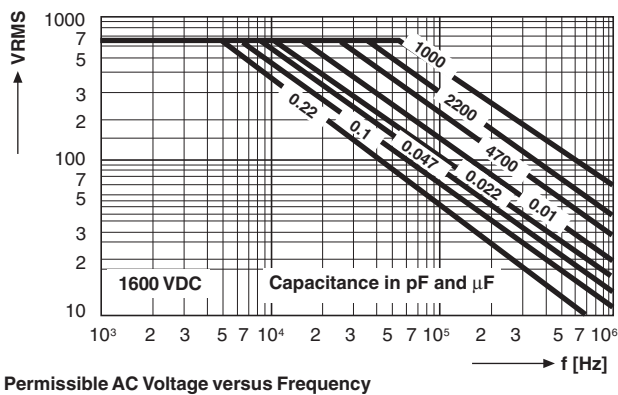
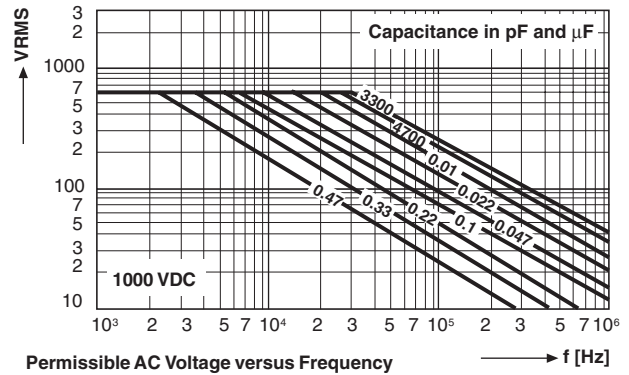
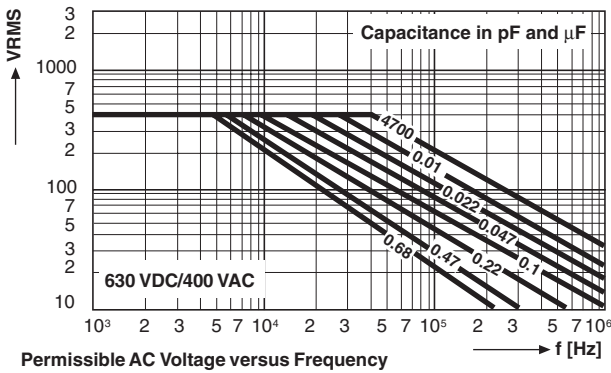
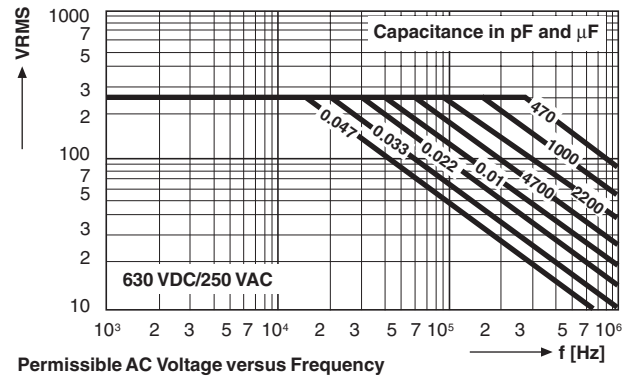
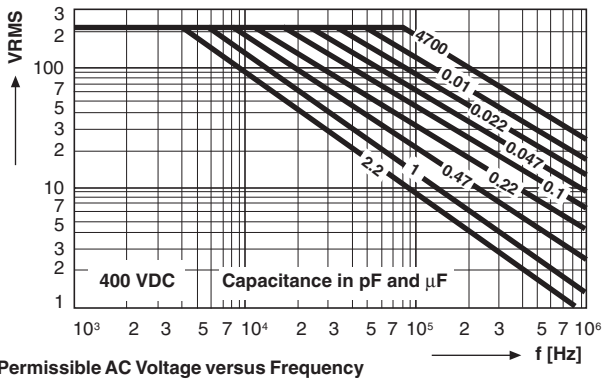
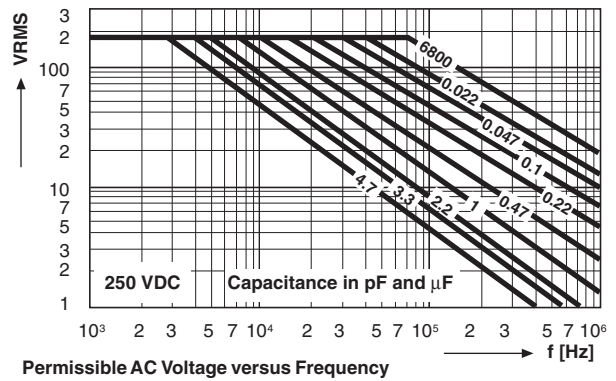
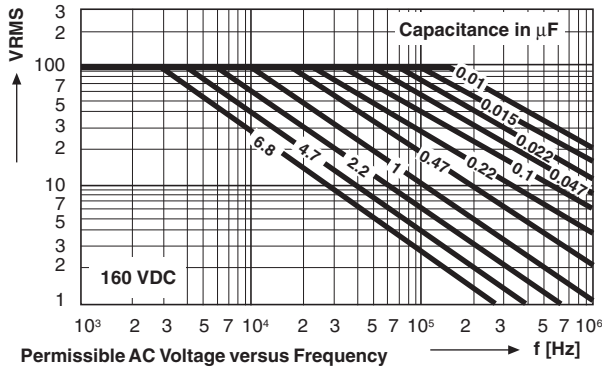
Further C-values upon request

RECOMMENDED PACKAGING

LETTER CODE	TYPE OF PACKAGING	HEIGHT (H) (mm)	REEL DIAMETER (mm)	ORDERING CODE EXAMPLES	PCM 15	PCM 22.5 - 27.5	PCM 37.5
D	AMMO	16.5	S*	MKP 1841-315/635-D	X	—	—
G	AMMO	18.5	S*	MKP 1841-315/635-G	X	—	—
F	REEL	16.5	350	MKP 1841-315/635-F	X	—	—
W	REEL	18.5	350	MKP 1841-315/635-W	X	—	—
V	REEL	18.5	500	MKP 1841-410/105-V	X	X	—
G	AMMO	18.5	L*	MKP 1841-410/105-G	—	X	—
—	BULK	—	—	MKP 1841-447/105	X	X	X

*S = box size 55 x 210 x 340mm (W x H x L)

*L = box size 60 x 510 x 360mm (W x H x L)





Disclaimer

All product specifications and data are subject to change without notice.

Vishay Intertechnology, Inc., its affiliates, agents, and employees, and all persons acting on its or their behalf (collectively, "Vishay"), disclaim any and all liability for any errors, inaccuracies or incompleteness contained herein or in any other disclosure relating to any product.

Vishay disclaims any and all liability arising out of the use or application of any product described herein or of any information provided herein to the maximum extent permitted by law. The product specifications do not expand or otherwise modify Vishay's terms and conditions of purchase, including but not limited to the warranty expressed therein, which apply to these products.

No license, express or implied, by estoppel or otherwise, to any intellectual property rights is granted by this document or by any conduct of Vishay.

The products shown herein are not designed for use in medical, life-saving, or life-sustaining applications unless otherwise expressly indicated. Customers using or selling Vishay products not expressly indicated for use in such applications do so entirely at their own risk and agree to fully indemnify Vishay for any damages arising or resulting from such use or sale. Please contact authorized Vishay personnel to obtain written terms and conditions regarding products designed for such applications.

Product names and markings noted herein may be trademarks of their respective owners.