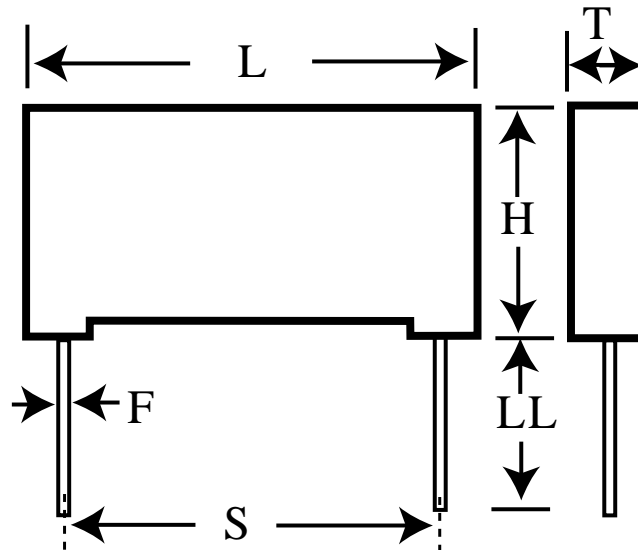


R75MI3220DQ30J

aka 75MI3220DQ30J

Capacitor, film, 0.22 μ F, +/-5% Tol, -55/+105C, Pulse, 400V@85C,
Lead Spacing=15 mm



Dimensions (mm)

ID	Dimension	Tolerance
L	18	+0.5
H	13.5	+0.1
T	7.5	+0.2
S	15	+/-0.4
LL	18.5	+/-0.5
F	0.8	+/-0.05

Specifications

Manufacturer:	KEMET
Brand:	Arcotronics
Capacitance:	0.22 μ F
Temperature Range:	-55/+105C
Rated Temperature:	85C
Voltage @ rated temp:	400V
Voltage AC:	220VAC
Tolerance:	+/-5%
Body Type:	Radial Box
Construction:	Non-inductive
Application:	Pulse
Dielectric:	Metallized Polypropylene
Dissipation Factor @ 1 kHz:	0.05%
Dissipation Factor @ 10 kHz:	0.08%
Insulation Resistance:	100 GOhm
Inductance:	10 nH
Maximum dVdT:	300v/us
Maximum K0:	240000V ² /us
Package Kind:	Ammo
Package Type:	Box
Package Quantity:	500