

Metallized Polypropylene Film Capacitors

Type: **ECWF(A)**

Designed for high frequency and current applications.

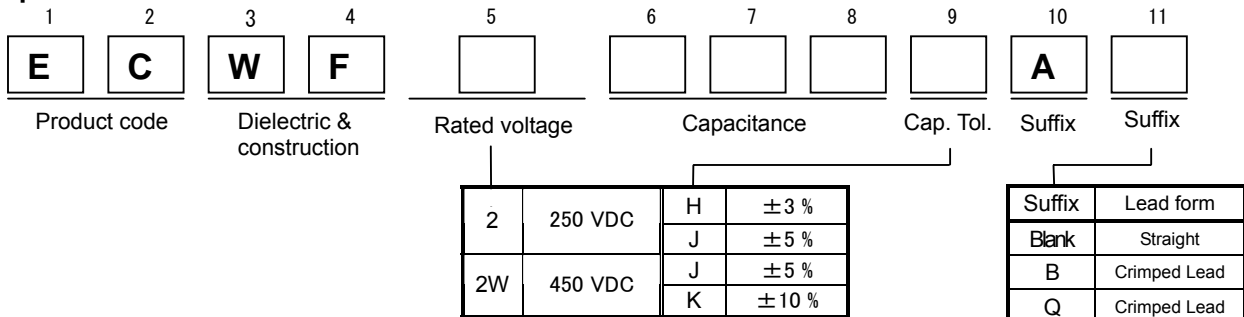
■ Features

- Small size
- Excellent frequency characteristics
- Low loss
- Low Hum Sound Noise
- RoHS directive compliant

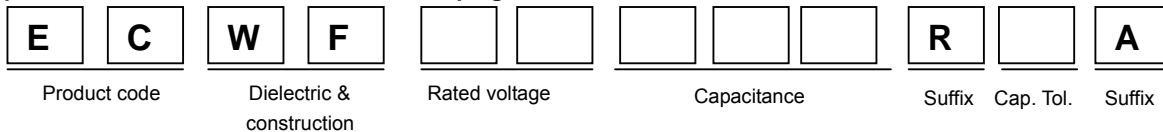
■ Recommended Applications

- 250VDC : High frequency and high current circuits
- 450VDC : Active filter circuits

■ Explanation of Part Numbers



● Explanation of Part Numbers for Odd Size Taping



■ Specifications

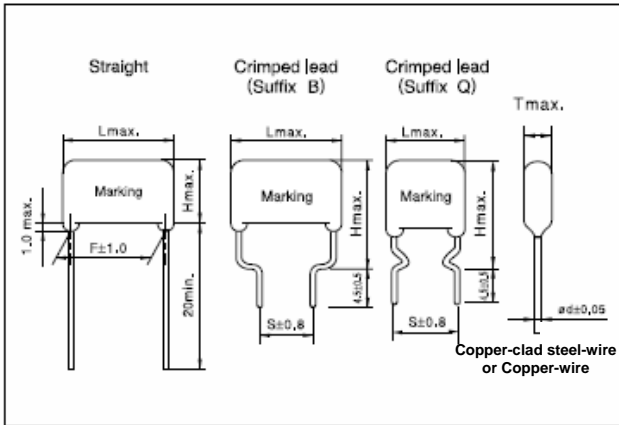
Category temp. range (Including temperature-rise on unit surface)	-40 °C to +105 °C	
Rated voltage	250 VDC	Peak to peak voltage applied on the capacitor should be less than 240Vp-p, and zero to peak voltage should be less than 450V.
	450 VDC	
Capacitance range	250 VDC	0.1 uF to 6.8 uF
	450 VDC	0.1 uF to 4.7 uF
Capacitance tolerance	250 VDC	±3% (H), ±5% (J)
	450 VDC	±5% (J), ±10% (K)
Withstand voltage	Between terminals: Rated voltage(VDC) × 150 % 60 s	
Dissipation factor (tan δ)	tan δ ≤ 0.1 % (20 °C, 1 kHz)	
Insulation resistance (IR)	250 VDC	C ≤ 0.33 uF : IR ≥ 9000 MΩ (20 °C, 100 VDC, 60 s) C > 0.33 uF : IR ≥ 3000 MΩ · uF
	450 VDC	C ≤ 0.33 uF : IR ≥ 30,000 MΩ (20 °C, 100 VDC, 60 s) C > 0.33 uF : IR ≥ 10,000 MΩ · uF

*In case of applying voltage in alternating current (50 Hz or 60 Hz sine wave) to a capacitor with DC rated voltage, please refer to the page of "Permissible voltage (R.M.S) in alternating current corresponding to DC rated voltage".

Design, Specifications are subject to change without notice. Ask factory for technical specifications before purchase and/or use. Whenever a doubt about safety arises from this product, please inform us immediately for technical consultation without fail.

■ Dimensions in mm (not to scale)

(Dimensions : mm)

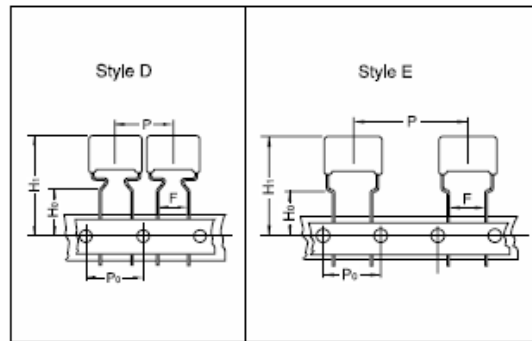


■ Packaging Specification for Bulk Package

Packing quantity: 100 pcs./bag

■ Taping Specifications for Automatic Insertion

● Taping style



※Refer to the page of taping specifications.

● Packaging Specifications

● Lead Spacing

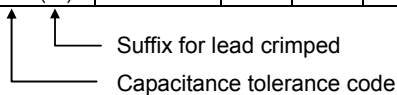
Type	Rated voltage	Cap. Range (uF)	Taping Style					Packing	Suffix
			AD	AS	B	C	D		
ECWF(A)	250 VDC	0.10 to 0.47					○	Ammo	R()A
		0.56 to 2.2					○		
	450 VDC	0.10 to 0.47					○		
		0.56 to 2.2					○		

Style	Lead spacing
D	7.5 mm
E	7.5 mm

■ Rating, Dimension & Quantity / Ammo Box

● Type ECWF(A) Rated voltage : 250 VDC

Part No.	Capacitance (uF)	Dimensions (mm)										Quantity		
		L ^{max}	T ^{max}	H ^{max}			F			S			G ^{max}	Φ d
				Straight	Crimped lead (Suffix B)	Crimped lead (Suffix Q)	Straight	Crimped lead (Suffix B)	Crimped lead (Suffix Q)	Straight	Φ d			
ECWF2104□A()	0.10	13.0	5.0	-	14.1	14.1	-	-	7.5	10.0	-	0.6	1300	
ECWF2124□A()	0.12	13.0	5.3	-	14.4	14.4	-	-	7.5	10.0	-	0.6	1200	
ECWF2154□A()	0.15	13.0	5.6	-	14.7	14.7	-	-	7.5	10.0	-	0.6	1100	
ECWF2184□A()	0.18	13.0	5.9	-	15.1	15.1	-	-	7.5	10.0	-	0.6	1000	
ECWF2224□A()	0.22	13.0	6.3	-	15.4	15.4	-	-	7.5	10.0	-	0.6	900	
ECWF2274□A()	0.27	13.0	6.8	-	15.9	15.9	-	-	7.5	10.0	-	0.6	800	
ECWF2334□A()	0.33	13.0	7.3	-	16.4	16.4	-	-	7.5	10.0	-	0.6	700	
ECWF2394□A()	0.39	13.0	7.8	-	16.9	16.9	-	-	7.5	10.0	-	0.6	600	
ECWF2474□A()	0.47	13.0	8.4	-	17.6	17.6	-	-	7.5	10.0	-	0.6	500	
ECWF2564□A()	0.56	18.1	6.9	-	16.4	18.4	-	-	7.5	15.0	-	0.8	400	
ECWF2684□A()	0.68	18.1	7.4	-	17.0	19.0	-	-	7.5	15.0	-	0.8	300	
ECWF2824□A()	0.82	18.1	8.0	-	17.6	19.6	-	-	7.5	15.0	-	0.8	200	
ECWF2105□A()	1.00	18.1	8.5	13.3	18.3	20.3	15.0	7.5	15.0	1.5	0.8	150	300	
ECWF2125□A()	1.20	18.8	9.5	14.6	19.6	21.6	15.0	7.5	15.0	1.5	0.8	100	300	
ECWF2155□A()	1.50	18.8	10.5	15.6	20.6	22.6	15.0	7.5	15.0	1.5	0.8	50	300	
ECWF2185□A()	1.80	18.8	11.4	16.5	21.5	23.5	15.0	7.5	15.0	1.5	0.8	25	300	
ECWF2225□A()	2.20	18.8	12.6	17.6	22.6	24.6	15.0	7.5	15.0	1.5	0.8	10	300	
ECWF2275□A()	2.70	23.8	11.4	17.2	22.2	24.2	20.0	12.5	20.0	1.5	0.8	5	300	
ECWF2335□A()	3.30	23.8	12.5	18.3	23.3	25.3	20.0	12.5	20.0	1.5	0.8	5	300	
ECWF2395□A()	3.90	23.8	13.5	19.3	24.3	26.3	20.0	12.5	20.0	1.5	0.8	5	300	
ECWF2475□A()	4.70	23.8	14.8	20.6	25.6	27.6	20.0	12.5	20.0	1.5	0.8	5	300	
ECWF2565□A()	5.60	23.8	16.2	21.9	26.9	28.9	20.0	12.5	20.0	1.5	0.8	5	300	
ECWF2685□A()	6.80	23.8	17.8	23.5	28.5	30.5	20.0	12.5	20.0	1.5	0.8	5	300	



Design, Specifications are subject to change without notice. Ask factory for technical specifications before purchase and/or use. Whenever a doubt about safety arises from this product, please inform us immediately for technical consultation without fail.

■ Rating, Dimension & Quantity / Ammo Box

● Type ECWF(A) Rated voltage : 450VDC

Part No.	Capacitance (μF)	Dimensions (mm)										Quantity Ammo 7.5mm		
		L ^{max}	T ^{max}	H ^{max}			F	S		G ^{max}	Φd			
				Straight	Crimped lead (Suffix B)	Crimped lead (Suffix Q)		Crimped lead (Suffix B)	Crimped lead (Suffix Q)					
ECWF2W104□A()	0.10	13.0	5.1	—	—	—	—	7.5	10.0	1.5	0.6	1200		
ECWF2W124□A()	0.12	13.0	5.4					14.3	14.3	7.5	10.0		1.5	0.6
ECWF2W154□A()	0.15	13.0	5.7					14.5	14.5	7.5	10.0		1.5	0.6
ECWF2W184□A()	0.18	13.0	6.1					14.9	14.9	7.5	10.0	1.5	0.6	1100
ECWF2W224□A()	0.22	13.0	6.5					15.2	15.2	7.5	10.0	1.5	0.6	
ECWF2W274□A()	0.27	13.0	7.0					15.6	15.6	7.5	10.0	1.5	0.6	
ECWF2W334□A()	0.33	13.0	7.6					16.1	16.1	7.5	10.0	1.5	0.6	900
ECWF2W394□A()	0.39	13.0	8.1					16.7	16.7	7.5	10.0	1.5	0.6	
ECWF2W474□A()	0.47	13.0	8.7					17.2	17.2	7.5	10.0	1.5	0.6	
ECWF2W564□A()	0.56	18.1	7.0	11.5	16.5	18.5	15.0	7.5	15.0	1.5	0.8	400		
ECWF2W684□A()	0.68	18.1	7.5	12.1	17.1	19.1	15.0	7.5	15.0	1.5	0.8			
ECWF2W824□A()	0.82	18.1	8.2	12.7	17.7	19.7	15.0	7.5	15.0	1.5	0.8			
ECWF2W105□A()	1.00	18.1	9.3	12.6	17.6	19.6	15.0	7.5	15.0	1.5	0.8	300		
ECWF2W125□A()	1.20	18.8	9.7	14.7	19.7	21.7	15.0	7.5	15.0	1.5	0.8			
ECWF2W155□A()	1.50	18.8	10.7	15.8	20.8	22.8	15.0	7.5	15.0	1.5	0.8			
ECWF2W185□A()	1.80	18.8	11.6	16.7	21.7	23.7	15.0	7.5	15.0	1.5	0.8	200		
ECWF2W225□A()	2.20	18.8	12.8	17.9	22.9	24.9	15.0	7.5	15.0	1.5	0.8			
ECWF2W275□A()	2.70	26.3	10.6	16.5	21.5	23.5	22.5	15.0	22.5	1.5	0.8			
ECWF2W335□A()	3.30	26.3	11.7	17.5	22.5	24.5	22.5	15.0	22.5	1.5	0.8	—		
ECWF2W395□A()	3.90	26.3	12.6	18.4	23.4	25.4	22.5	15.0	22.5	1.5	0.8			
ECWF2W475□A()	4.70	26.3	13.8	19.6	24.6	26.6	22.5	15.0	22.5	1.5	0.8			

