

## Aluminum Capacitors + 85 °C, Large Can

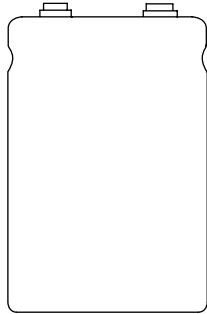


Fig. 1 Component Outlines

### FEATURES

- The industry standard for large can aluminum capacitors
- Ideal for high wattage power supplies and energy storage applications
- Capacitance values to 2.2 F
- Largest CV available
- Highest voltage available
- Screw terminal
- Compliant to RoHS directive 2002/95/EC


**RoHS**  
COMPLIANT

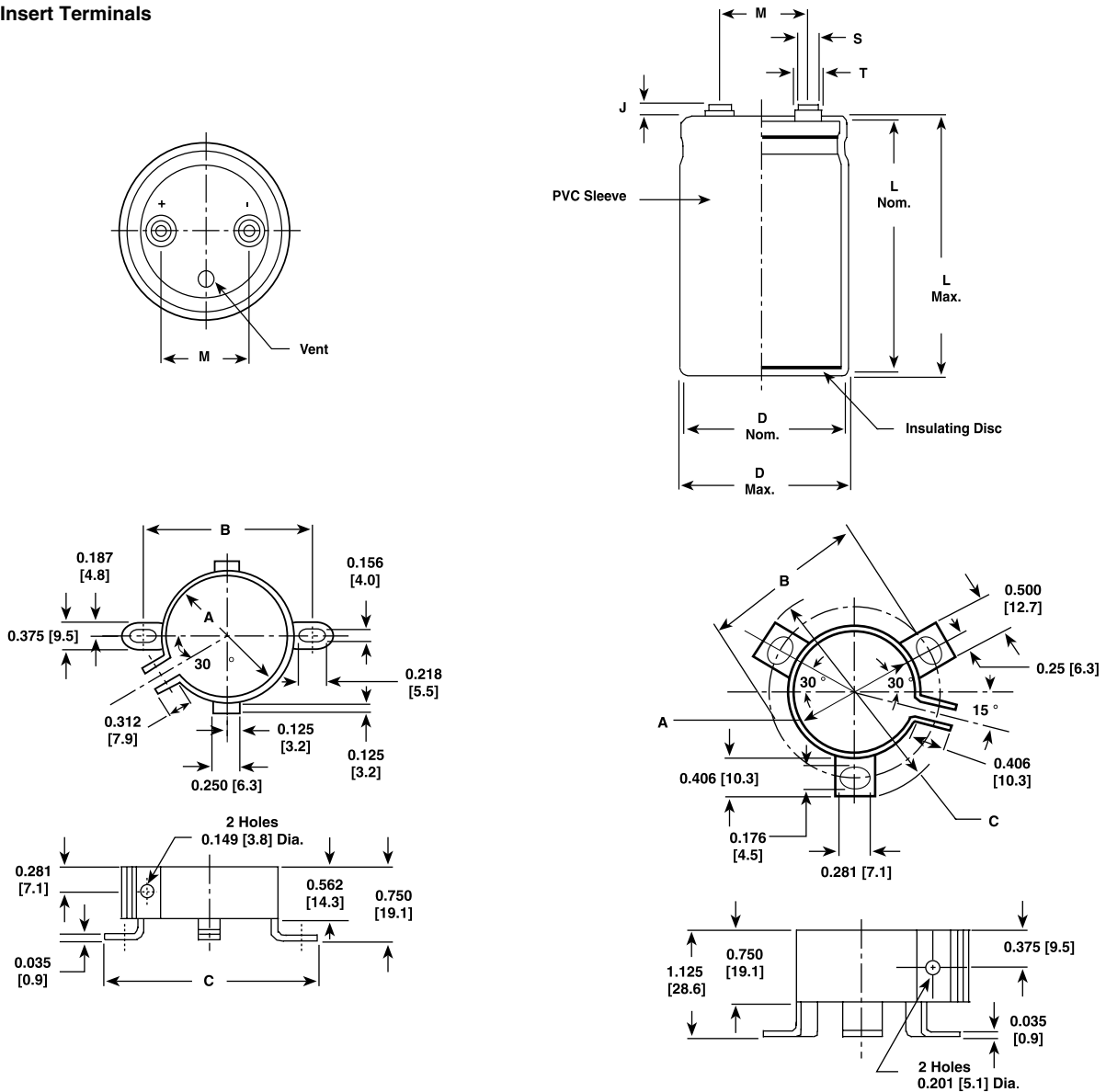
QUICK REFERENCE DATA	
DESCRIPTION	VALUE
Nominal case size Ø D x L in inches (mm)	1.375 x 1.625 (35.0 x 41.3) to 3.00 x 8.675 (76.2 x 220.3)
Operating temperature	- 40 °C to + 85 °C
Rated capacitance range, C <sub>R</sub>	100 µF to 2.2 F
Tolerance on C <sub>R</sub>	- 10 % to 50 %
Rated voltage range, U <sub>R</sub>	6.3 WVDC to 450 WVDC
Termination	Screw thread
Life validation test at 85 °C	2000 h: ΔCAP ≤ 15 % from initial measurement ΔESR ≤ 1.5 x initial specified limit ΔDCL ≤ initial specified limit
Shelf life at 85 °C	500 h: ΔCAP ≤ 15 % from initial measurement. ΔESR ≤ 1.2 x initial specified limit. ΔDCL ≤ 2 x initial specified limit
DC leakage current	$I = K \sqrt{CV}$ K = 4.0 at + 25 °C; 32.0 at + 85 °C I in µA, C in µF, V in Volts

RIPPLE CURRENT MULTIPLIERS			
TEMPERATURE			
AMBIENT TEMPERATURE		MULTIPLIERS	
+ 85 °C		1.0	
+ 75 °C		1.4	
+ 65 °C		1.7	
+ 55 °C and below		2.0	
FREQUENCY (Hz)			
RATED WVDC	120	400	1000 AND UP
0 to 50	1.0	1.05	1.10
51 to 100	1.0	1.10	1.15
150 to 300	1.0	1.15	1.25
301 to 450	1.0	1.20	1.30

DIMENSIONS in inches (millimeters)							
LARGE CAN CAPACITORS							
CASE CODE	NOMINAL		WITH INSULATING SLEEVE			TERMINAL SPACING M ± 0.016 (0.4)	TYPICAL WEIGHT (g)
	D ± 0.032 (0.8)	L ± 0.063 (1.6)	D (Max.)	L (Max.)	P TERMINAL H (Max.)		
AN	1.375 (35.0)	1.625 (41.0)	1.453 (36.9)	1.750 (44.5)	1.849 (47.0)	0.500 (12.7)	43.0
AY	1.375 (35.0)	1.875 (48.0)	1.453 (36.9)	2.000 (50.8)	1.099 (53.3)	0.500 (12.7)	54.0
AA	1.375 (35.0)	2.125 (54.0)	1.453 (36.9)	2.250 (57.2)	1.349 (59.7)	0.500 (12.7)	63.0
AM	1.375 (35.0)	2.625 (67.0)	1.453 (36.9)	2.750 (69.9)	1.849 (72.4)	0.500 (12.7)	82.0
AB	1.375 (35.0)	3.125 (79.0)	1.453 (36.9)	3.250 (82.6)	1.349 (85.1)	0.500 (12.7)	105.0
AL	1.375 (35.0)	3.625 (92.0)	1.453 (36.9)	3.750 (95.3)	1.849 (97.8)	0.500 (12.7)	122.0
AC	1.375 (35.0)	4.125 (105.0)	1.453 (36.9)	4.250 (108.0)	1.349 (110.5)	0.500 (12.7)	129.0
AD	1.375 (35.0)	4.625 (117.0)	1.453 (36.9)	4.750 (120.7)	1.849 (123.2)	0.500 (12.7)	162.0
AE	1.375 (35.0)	5.125 (130.0)	1.453 (36.9)	5.250 (133.4)	1.349 (125.9)	0.500 (12.7)	179.0
AF	1.375 (35.0)	5.625 (143.0)	1.453 (36.9)	5.750 (146.1)	1.849 (148.6)	0.500 (12.7)	201.0

<b>DIMENSIONS</b> in inches (millimeters)							
<b>LARGE CAN CAPACITORS</b>							
CASE CODE	NOMINAL		WITH INSULATING SLEEVE			TERMINAL SPACING M ± 0.016 (0.4)	TYPICAL WEIGHT (g)
	D ± 0.032 (0.8)	L ± 0.063 (1.6)	D (Max.)	L (Max.)	P TERMINAL H (Max.)		
EN	1.750 (44.0)	1.625 (41.0)	1.828 (46.4)	1.750 (44.5)	1.849 (47.0)	0.750 (19.1)	71.0
EY	1.750 (44.0)	1.875 (48.0)	1.828 (46.4)	2.000 (50.8)	2.099 (53.3)	0.750 (19.1)	88.0
EA	1.750 (44.0)	2.125 (54.0)	1.828 (46.4)	2.250 (57.2)	2.349 (59.7)	0.750 (19.1)	102.0
EM	1.750 (44.0)	2.625 (67.0)	1.828 (46.4)	2.750 (69.9)	2.849 (72.4)	0.750 (19.1)	133.0
EB	1.750 (44.0)	3.125 (79.0)	1.828 (46.4)	3.250 (82.6)	3.349 (85.1)	0.750 (19.1)	167.0
EL	1.750 (44.0)	3.625 (92.0)	1.828 (46.4)	3.750 (95.3)	3.849 (97.8)	0.750 (19.1)	198.0
EC	1.750 (44.0)	4.125 (105.0)	1.828 (46.4)	4.250 (108.0)	4.349 (110.5)	0.750 (19.1)	230.0
ED	1.750 (44.0)	4.625 (117.0)	1.828 (46.4)	4.750 (120.7)	4.849 (123.2)	0.750 (19.1)	252.0
EE	1.750 (44.0)	5.125 (130.0)	1.828 (46.4)	5.250 (133.4)	5.349 (135.9)	0.750 (19.1)	269.0
EF	1.750 (44.0)	5.625 (143.0)	1.828 (46.4)	5.750 (146.1)	5.849 (148.6)	0.750 (19.1)	318.0
BY	2.000 (51.0)	1.875 (48.0)	2.078 (52.8)	2.000 (50.8)	2.099 (53.3)	0.875 (22.2)	113.0
BA	2.000 (51.0)	2.125 (54.0)	2.078 (52.8)	2.250 (57.2)	2.349 (59.7)	0.875 (22.2)	133.0
BM	2.000 (51.0)	2.625 (67.0)	2.078 (52.8)	2.750 (69.9)	2.849 (72.4)	0.875 (22.2)	176.0
BB	2.000 (51.0)	3.125 (79.0)	2.078 (52.8)	3.250 (82.6)	3.349 (85.1)	0.875 (22.2)	213.0
BL	2.000 (51.0)	3.625 (92.0)	2.078 (52.8)	3.750 (95.3)	3.849 (97.8)	0.875 (22.2)	261.0
BC	2.000 (51.0)	4.125 (105.0)	2.078 (52.8)	4.250 (108.0)	4.349 (110.5)	0.875 (22.2)	381.0
BD	2.000 (51.0)	4.625 (117.0)	2.078 (52.8)	4.750 (120.7)	4.849 (123.2)	0.875 (22.2)	326.0
BE	2.000 (51.0)	5.125 (130.0)	2.078 (52.8)	5.250 (133.4)	5.349 (135.9)	0.875 (22.2)	337.0
BF	2.000 (51.0)	5.625 (143.0)	2.078 (52.8)	5.750 (146.1)	5.849 (148.6)	0.875 (22.2)	408.0
CB	2.500 (64.0)	3.125 (79.0)	2.578 (65.5)	3.250 (82.6)	N/A	1.125 (28.6)	329.0
CL	2.500 (64.0)	3.625 (92.0)	2.578 (65.5)	3.750 (95.3)	N/A	1.125 (28.6)	400.0
CC	2.500 (64.0)	4.125 (105.0)	2.578 (65.5)	4.250 (108.0)	N/A	1.125 (28.6)	473.0
CD	2.500 (64.0)	4.625 (117.0)	2.578 (65.5)	4.750 (120.7)	N/A	1.125 (28.6)	562.0
CE	2.500 (64.0)	5.125 (130.0)	2.578 (65.5)	5.250 (133.4)	N/A	1.125 (28.6)	607.0
CF	2.500 (64.0)	5.625 (143.0)	2.578 (65.5)	5.750 (146.1)	N/A	1.125 (28.6)	675.0
DB	3.000 (76.0)	3.125 (79.0)	3.078 (78.2)	3.250 (82.6)	N/A	1.250 (31.8)	496.0
DL	3.000 (76.0)	3.625 (92.0)	3.078 (78.2)	3.750 (95.3)	N/A	1.250 (31.8)	598.0
DC	3.000 (76.0)	4.125 (105.0)	3.078 (78.2)	4.250 (108.0)	N/A	1.250 (31.8)	700.0
DD	3.000 (76.0)	4.625 (117.0)	3.078 (78.2)	4.750 (120.7)	N/A	1.250 (31.8)	802.0
DE	3.000 (76.0)	5.125 (130.0)	3.078 (78.2)	5.250 (133.4)	N/A	1.250 (31.8)	944.0
DF	3.000 (76.0)	5.625 (143.0)	3.078 (78.2)	5.750 (146.1)	N/A	1.250 (31.8)	1004.0
DJ	3.000 (76.0)	8.625 (219.0)	3.078 (78.2)	8.750 (222.3)	N/A	1.250 (31.8)	1403.0

<b>DIMENSIONS</b> in inches (millimeters)						
<b>BRACKETS (RoHS COMPLIANT)</b>						
TYPE	PART NUMBER	A	B	C	FIGURE NUMBER	
2 Feet	1245860035A	1.375 (34.9)	1.781 (45.2)	2.218 (56.3)	1	
3 Feet	1245860036A	2.000 (50.8)	2.500 (63.5)	2.875 (73.0)	2	
3 Feet	1245860037A	2.500 (63.5)	3.000 (76.2)	3.375 (85.7)	2	
3 Feet	1245860038A	3.000 (76.2)	3.500 (88.9)	3.875 (98.4)	2	
<b>SCREW INSERT TERMINAL DIMENSIONS</b>						
TERMINAL CODE	THREAD	THREAD DEPTH	HEIGHT J ± 0.032 (0.8)	DIAMETER S ± 0.010 (0.25)	DIAMETER T ± 0.010 (0.25)	NOTES
A	10-32 NF-28	0.219 (5.6)	0.063 (1.6)	0.313 (8.0)	0.438 (11.1)	All cases codes
B	10-32 NF-28	0.375 (9.5)	0.250 (6.4)	0.313 (8.0)	0.438 (11.1)	All cases codes
D	1/4-28 NF-28	0.344 (8.7)	0.093 (2.4)	0.688 (17.5)	-	C and D dia. codes only

**DIMENSIONS AND AVAILABLE FORMS**
**Screw Insert Terminals**

**ORDERING EXAMPLE**

Electrolytic capacitor 36DY series:      36DY 683 F 6R3 AA 2 A

DESCRIPTION	
CODE	EXPLANATION
36DY	Product type
683	Capacitance value (68 000 $\mu$ F)
F	Tolerance (G = - 10 %/+ 75 %; F = - 10 %/+ 50 %)
6R3	Voltage rating at 85 °C (6.3 V)
AA	Can size (see dimensions table)
2	PVC insulating sleeve
A	Terminal code (low insert 10-32 screw thread)

<b>ELECTRICAL DATA AND ORDERING INFORMATION</b>				
<b>CAPACITANCE (<math>\mu</math>F)</b>	<b>PART NUMBER</b>	<b>NOMINAL CASE SIZE D x L</b>	<b>MAX. ESR at 25 °C (m<math>\Omega</math>) 120 Hz</b>	<b>MAX. RIPPLE at + 85 °C (A) 120 Hz</b>
<b>6.3 WVDC at + 85 °C, SURGE = 8 V</b>				
68 000.0	36DY683F6R3AA2A	1.375 x 2.125 (35.0 x 54.0)	32.0	5.92
120 000.0	36DY124F6R3AB2A	1.375 x 3.125 (35.0 x 79.0)	20.0	8.70
220 000.0	36DY224F6R3BB2A	2.000 x 3.125 (51.0 x 79.0)	11.2	14.4
560 000.0	36DY564F6R3BF2A	2.000 x 5.625 (51.0 x 143.0)	6.6	23.8
820 000.0	36DY824F6R3CF2A	2.500 x 5.625 (64.0 x 143.0)	4.1	34.4
1.0 F	36DY105F6R3DD2A	3.000 x 4.625 (76.0 x 117.0)	14.5	34.0
<b>10 WVDC at + 85 °C, SURGE = 12 V</b>				
82 000.0	36DY823F010AB2A	1.375 x 3.125 (35.0 x 79.0)	19.8	8.65
150 000.0	36DY154F010AD2A	1.375 x 4.625 (35.0 x 117.0)	14.0	12.2
220 000.0	36DY224F010BL2A	2.000 x 3.625 (51.0 x 92.0)	9.6	16.5
390 000.0	36DY394F010BF2A	2.000 x 5.625 (51.0 x 143.0)	6.7	23.7
470 000.0	36DY474F010CC2A	2.500 x 4.125 (64.0 x 105.0)	5.0	27.6
680 000.0	36DY684F010DC2A	3.000 x 4.125 (76.0 x 105.0)	5.0	30.9
<b>15 WVDC at + 85 °C, SURGE = 18 V</b>				
47 000.0	36DY473F015AM2A	1.375 x 2.625 (35.0 x 67.0)	25.0	7.19
68 000.0	36DY683F015AL2A	1.375 x 3.625 (35.0 x 92.0)	17.5	9.79
100 000.0	36DY104F015AD2A	1.375 x 4.625 (35.0 x 117.0)	14.2	12.1
56 000.0	36DY563F015BA2A	2.000 x 2.125 (51.0 x 54.0)	20.0	9.40
100 000.0	36DY104F015BB2A	2.000 x 3.125 (51.0 x 79.0)	11.6	14.2
150 000.0	36DY154F015BC2A	2.000 x 4.125 (51.0 x 105.0)	8.7	18.3
220 000.0	36DY224F015BF2A	2.000 x 5.625 (51.0 x 143.0)	6.7	23.6
470 000.0	36DY474F015CF2A	2.500 x 5.625 (64.0 x 143.0)	4.2	34.0
680 000.0	36DY684F015DF2A	3.000 x 5.625 (76.0 x 143.0)	4.1	38.4
<b>25 WVDC at + 85 °C, SURGE = 30 V</b>				
18 000.0	36DY183F025AM2A	1.375 x 2.625 (35.0 x 67.0)	25.0	7.12
22 000.0	36DY223F025AB2A	1.375 x 3.125 (35.0 x 79.0)	21.0	8.42
47 000.0	36DY473F025AF2A	1.375 x 5.625 (35.0 x 143.0)	12.6	14.0
33 000.0	36DY333F025BM2A	2.000 x 2.625 (51.0 x 67.0)	15.4	11.5
47 000.0	36DY473F025BB2A	2.000 x 3.125 (51.0 x 79.0)	12.3	13.8
100 000.0	36DY104F025BF2A	2.000 x 5.625 (51.0 x 143.0)	7.2	22.8
120 000.0	36DY124F025CC2A	2.500 x 4.125 (64.0 x 105.0)	6.7	23.8
220 000.0	36DY224F025DE2A	3.000 x 5.125 (76.0 x 130.0)	4.5	35.3
390 000.0	36DY394F025DJ2A	3.000 x 8.625 (76.0 x 219.0)	3.5	49.5
<b>40 WVDC at + 85 °C, SURGE = 50 V</b>				
4700.0	36DY472F040AN2A	1.375 x 1.625 (35.0 x 41.0)	59.0	3.89
10 000.0	36DY103F040AM2A	1.375 x 2.625 (35.0 x 67.0)	28.0	6.84
12 000.0	36DY123F040AB2A	1.375 x 3.125 (35.0 x 79.0)	23.0	8.10
15 000.0	36DY153F040AL2A	1.375 x 3.625 (35.0 x 92.0)	19.4	9.30
10 000.0	36DY103F040BY2A	2.000 x 1.875 (51.0 x 48.0)	30.0	7.40
27 000.0	36DY273F040BB2A	2.000 x 3.125 (51.0 x 79.0)	12.8	13.5
33 000.0	36DY333F040BL2A	2.000 x 3.625 (51.0 x 92.0)	10.9	15.5
39 000.0	36DY393F040BC2A	2.000 x 4.125 (51.0 x 105.0)	9.6	17.4
47 000.0	36DY473F040CB2A	2.500 x 3.125 (64.0 x 79.0)	9.1	18.4
100 000.0	36DY104F040DC2A	3.000 x 4.125 (76.0 x 105.0)	5.4	29.7
8200.0	36DY822F040AM2A	1.375 x 2.625 (35.0 x 67.0)	29.0	6.66
10 000.0	36DY103F040AB2A	1.375 x 3.125 (35.0 x 79.0)	24.0	7.79
15 000.0	36DY153F040AC2A	1.375 x 4.125 (35.0 x 105.0)	18.2	10.1



Aluminum Capacitors  
+ 85 °C, Large Can

Vishay Sprague

<b>ELECTRICAL DATA AND ORDERING INFORMATION</b>				
<b>CAPACITANCE (<math>\mu</math>F)</b>	<b>PART NUMBER</b>	<b>NOMINAL CASE SIZE D x L</b>	<b>MAX. ESR at 25 °C (m<math>\Omega</math>) 120 Hz</b>	<b>MAX. RIPPLE at + 85 °C (A) 120 Hz</b>
<b>50 WVDC at + 85 °C, SURGE = 65 V</b>				
5600.0	36DY562F050AA2A	1.375 x 2.125 (35.0 x 54.0)	40.0	5.25
8200.0	36DY822F050AM2A	1.375 x 2.625 (35.0 x 67.0)	29.0	6.66
10 000.0	36DY103F050AB2A	1.375 x 3.125 (35.0 x 79.0)	24.0	8.60
47 000.0	36DY473F050BF2A	2.000 x 5.625 (51.0 x 143.0)	7.7	22.1
100 000.0	36DY104F050DE2A	3.000 x 5.125 (76.0 x 130.0)	4.8	34.2
180 000.0	36DY184F050DJ2A	3.000 x 8.625 (76.0 x 219.0)	3.6	48.8
<b>60 WVDC at + 85 °C, SURGE = 75 V</b>				
2700.0	36DY272F060AN2A	1.375 x 1.625 (35.0 x 41.0)	69.0	3.62
4700.0	36DY472F060AA2A	1.375 x 2.125 (35.0 x 54.0)	42.0	5.10
8200.0	36DY822F060AB2A	1.375 x 3.125 (35.0 x 79.0)	25.0	7.72
10 000.0	36DY103F060AL2A	1.375 x 3.625 (35.0 x 92.0)	22.0	8.75
15 000.0	36DY153F060BB2A	2.000 x 3.125 (51.0 x 79.0)	13.9	13.0
22 000.0	36DY223F060BL2A	2.000 x 3.625 (51.0 x 92.0)	11.7	15.0
47 000.0	36DY473F060CD2A	2.500 x 4.625 (64.0 x 117.0)	6.6	25.1
100 000.0	36DY104F060DF2A	3.000 x 5.625 (76.0 x 143.0)	4.5	36.7
<b>75 WVDC at + 85 °C, SURGE = 95 V</b>				
1800.0	36DY182F075AN2A	1.375 x 1.625 (35.0 x 41.0)	104.0	2.95
3300.0	36DY332F075AA2A	1.375 x 2.125 (35.0 x 54.0)	62.0	4.19
5600.0	36DY562F075AB2A	1.375 x 3.125 (35.0 x 79.0)	36.0	6.45
6800.0	36DY682F075AL2A	1.375 x 3.625 (35.0 x 92.0)	30.0	7.50
10 000.0	36DY103F075AD2A	1.375 x 4.625 (35.0 x 117.0)	24.0	9.26
12 000.0	36DY123F075BB2A	2.000 x 3.125 (51.0 x 79.0)	18.8	11.1
18 000.0	36DY183F075BC2A	2.000 x 4.125 (51.0 x 105.0)	13.7	14.5
47 000.0	36DY473F075CF2A	2.500 x 5.625 (64.0 x 143.0)	6.7	26.9
47 000.0	36DY473F075DC2A	3.000 x 4.125 (76.0 x 105.0)	8.9	23.2
120 000.0	36DY124F075DJ2A	3.000 x 8.625 (76.0 x 219.0)	5.0	41.5
<b>100 WVDC at + 85 °C, SURGE = 125 V</b>				
1800.0	36DY182F100AM2A	1.375 x 2.625 (35.0 x 67.0)	56.0	4.82
4700.0	36DY472F100AC2A	1.375 x 4.125 (35.0 x 105.0)	32.0	7.68
4700.0	36DY472F100BM2A	2.000 x 2.625 (51.0 x 67.0)	30.0	8.29
10 000.0	36DY103F100BC2A	2.000 x 4.125 (51.0 x 105.0)	16.3	13.3
10 000.0	36DY103F100CB2A	2.500 x 3.125 (64.0 x 79.0)	14.8	14.5
18 000.0	36DY183F100DL2A	3.000 x 3.625 (76.0 x 92.0)	11.2	19.7
33 000.0	36DY333F100DE2A	3.000 x 5.125 (76.0 x 130.0)	7.9	26.7
<b>150 WVDC at + 85 °C, SURGE = 175 V</b>				
2700.0	36DY272F150AF2A	1.375 x 5.625 (35.0 x 143.0)	35.0	6.84
2200.0	36DY222F150BB2A	2.000 x 3.125 (51.0 x 79.0)	57.0	5.22
5600.0	36DY562F150BF2A	2.000 x 5.625 (51.0 x 143.0)	22.0	10.66
10 000.0	36DY103F150CF2A	2.500 x 5.625 (64.0 x 143.0)	12.0	16.43
10 000.0	36DY103F150DC2A	3.000 x 4.125 (76.0 x 105.0)	17.0	13.68
<b>200 WVDC at + 85 °C, SURGE = 250 V</b>				
1000.0	36DY102F200AB2A	1.375 x 3.125 (35.0 x 79.0)	84.0	1.5
1500.0	36DY152F200BM2A	2.000 x 2.625 (51.0 x 67.0)	72.0	4.36
2200.0	36DY222F200BL2A	2.000 x 3.625 (51.0 x 92.0)	49.0	5.97
2700.0	36DY272F200BC2A	2.000 x 4.125 (51.0 x 105.0)	40.0	6.95
3300.0	36DY332F200CB2A	2.500 x 3.125 (64.0 x 79.0)	32.0	8.03
4700.0	36DY472F200CC2A	2.500 x 4.125 (64.0 x 105.0)	22.0	10.73
10 000.0	36DY103F200DE2A	3.000 x 5.125 (76.0 x 130.0)	14.0	16.36

**ELECTRICAL DATA AND ORDERING INFORMATION**

CAPACITANCE ( $\mu$ F)	PART NUMBER	NOMINAL CASE SIZE D x L	MAX. ESR at 25 °C (m $\Omega$ ) 120 Hz	MAX. RIPPLE at + 85 °C (A) 120 Hz
<b>250 WVDC at + 85 °C, SURGE = 300 V</b>				
560.0	36DY561F250AM2A	1.375 x 2.625 (35.0 x 67.0)	132.0	2.55
1000.0	36DY102F250AL2A	1.375 x 3.625 (35.0 x 92.0)	74.0	3.89
2700.0	36DY272F250BD2A	2.000 x 4.625 (51.0 x 117.0)	34.0	7.90
3300.0	36DY332F250BF2A	2.000 x 5.625 (51.0 x 143.0)	29.0	9.44
2700.0	36DY272F250CB2A	2.500 x 3.125 (64.0 x 79.0)	34.0	7.79
4700.0	36DY472F250DL2A	3.000 x 3.625 (76.0 x 92.0)	24.0	10.99
10 000.0	36DY103F250DF2A	3.000 x 5.625 (76.0 x 143.0)	11.0	19.14
<b>350 WVDC at + 85 °C, SURGE = 400 V</b>				
470.0	36DY471F350AB2A	1.375 x 3.125 (35.0 x 79.0)	272.0	1.91
1000.0	36DY102F350AF2A	1.375 x 5.625 (35.0 x 143.0)	128.0	3.58
1000.0	36DY102F350BL2A	2.000 x 3.625 (51.0 x 92.0)	136.0	3.58
1800.0	36DY182F350BF2A	2.000 x 5.625 (51.0 x 143.0)	76.0	5.73
3300.0	36DY332F350DC2A	3.000 x 4.125 (76.0 x 105.0)	44.0	8.50
4700.0	36DY472F350DE2A	3.000 x 5.125 (76.0 x 130.0)	31.0	10.99
<b>400 WVDC at + 85 °C, SURGE = 450 V</b>				
270.0	36DY271F400AM2A	1.375 x 2.625 (35.0 x 67.0)	429.0	1.41
680.0	36DY681F400AE2A	1.375 x 5.125 (35.0 x 130.0)	170.0	2.98
1000.0	36DY102F400BC2A	2.000 x 4.125 (51.0 x 105.0)	123.0	3.96
2200.0	36DY222F400CD2A	2.500 x 4.625 (64.0 x 117.0)	55.0	7.09
2700.0	36DY272F400DC2A	3.000 x 4.125 (76.0 x 105.0)	48.0	8.14
6800.0	36DY682F400DJ2A	3.000 x 8.625 (76.0 x 219.0)	19.0	17.36
<b>450 WVDC at + 85 °C, SURGE = 525 V</b>				
330.0	36DY331F450AB2A	1.375 x 3.125 (35.0 x 79.0)	317.0	1.77
680.0	36DY681F450AE2A	1.375 x 5.125 (35.0 x 130.0)	164.0	3.13
1000.0	36DY102F450BC2A	2.000 x 4.125 (51.0 x 105.0)	113.0	4.13
2700.0	36DY272F450CF2A	2.500 x 5.625 (64.0 x 143.0)	42.0	8.78
3300.0	36DY332F450DD2A	3.000 x 4.625 (64.0 x 117.0)	36.0	10.20
5600.0	36DY562F450DJ2A	3.000 x 8.625 (76.0 x 219.0)	21.0	16.51



## Disclaimer

All product specifications and data are subject to change without notice.

Vishay Intertechnology, Inc., its affiliates, agents, and employees, and all persons acting on its or their behalf (collectively, "Vishay"), disclaim any and all liability for any errors, inaccuracies or incompleteness contained herein or in any other disclosure relating to any product.

Vishay disclaims any and all liability arising out of the use or application of any product described herein or of any information provided herein to the maximum extent permitted by law. The product specifications do not expand or otherwise modify Vishay's terms and conditions of purchase, including but not limited to the warranty expressed therein, which apply to these products.

No license, express or implied, by estoppel or otherwise, to any intellectual property rights is granted by this document or by any conduct of Vishay.

The products shown herein are not designed for use in medical, life-saving, or life-sustaining applications unless otherwise expressly indicated. Customers using or selling Vishay products not expressly indicated for use in such applications do so entirely at their own risk and agree to fully indemnify Vishay for any damages arising or resulting from such use or sale. Please contact authorized Vishay personnel to obtain written terms and conditions regarding products designed for such applications.

Product names and markings noted herein may be trademarks of their respective owners.