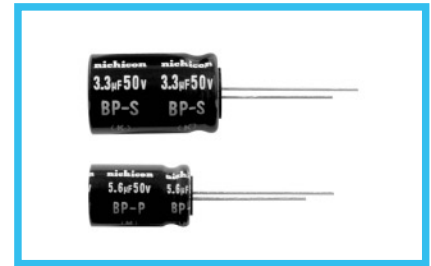


DB.GB series

Bi-Polarized, For Speaker Network



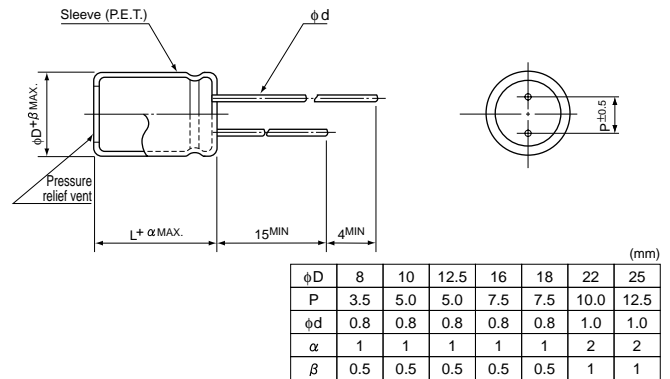
- Bi-polarized series.
- Designed specifically for crossover networks in Hi-Fi sound systems.
- Compliant to the RoHS directive (2002/95/EC).



Specifications

Performance Characteristics	DB series	GB series
Category Temperature Range	-40 to +85°C	-40 to +85°C
Rated Voltage Range	50V	50V
Rated Capacitance Tolerance	±20% at 1kHz	±10% at 1kHz
Leakage Current (After 5 minutes' application of rated voltage)	Leakage current is not more than 0.03CV or 3 (µA), whichever is greater.	
Tangent of loss angle (tan δ) (1 kHz) (5 kHz)	0.10 or less 0.15 or less	0.05 or less 0.05 or less
Allowable Continuous Current (8Ω - fc)	Value in table or less	Value in table or less
Marking	Printed with white color letter on black sleeve.	

Radial Lead Type

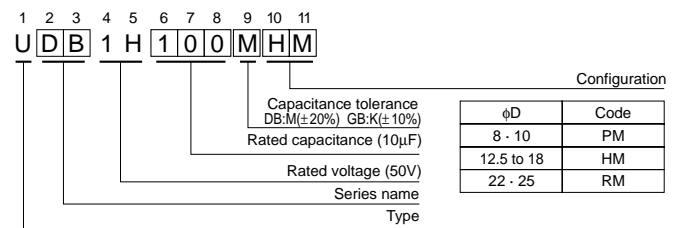


Dimensions

Cap. (µF)	Code	DB φD×L (mm)		GB φD×L (mm)		Rated ripple (mArms)		
		1H (50V)				Frequency (Hz)	DB	GB
1	010	8 × 11.5	10 × 20			20k	205	760
1.5	1R5	8 × 11.5	12.5 × 20			13k	245	800
2.2	2R2	10 × 12.5	12.5 × 20			9k	320	820
3.3	3R3	10 × 16	16 × 25			6k	400	850
4.7	4R7	10 × 20	16 × 25			4.2k	480	890
6.8	6R8	12.5 × 20	16 × 31.5			2.9k	540	920
10	100	12.5 × 25	18 × 35.5			2k	600	970
15	150	12.5 × 25	22 × 40			1.3k	660	1040
22	220	16 × 25	22 × 40			900	740	1060
33	330	16 × 31.5	25 × 40			600	800	1120
47	470	18 × 35.5				420	1020	
68	680	22 × 40				290	1200	

• Please refer to page 20 about the end seal configuration.

Type numbering system (Example : DB series 50V 10µF)



Please refer to page 20, 21, 22 about the formed or taped product spec.
Please refer to page 4 for the minimum order quantity.