

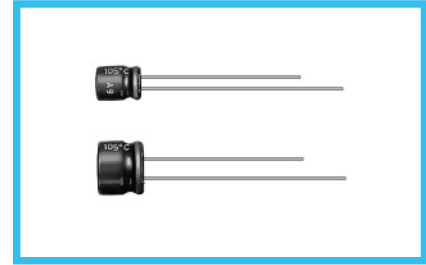
# ALUMINUM ELECTROLYTIC CAPACITORS

**MF** 5mmL, Low Impedance series



- Low impedance over wide temperature range of -55 to +105°C, with 5mm height.
- Suited for DC-DC converters where smaller case size and lower impedance are required.
- Compliant to the RoHS directive (2002/95/EC).

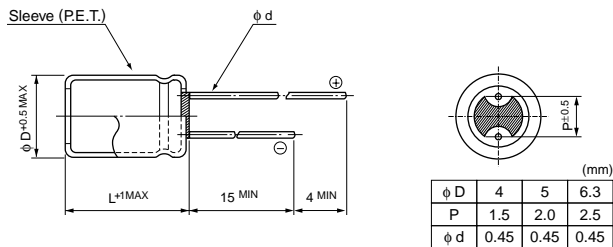
MF ← Low Impedance MT



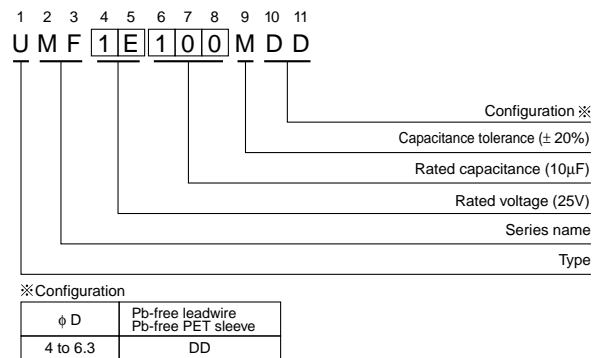
## Specifications

Item	Performance Characteristics						
Category Temperature Range	-55 to +105°C						
Rated Voltage Range	6.3 to 35V						
Rated Capacitance Range	1 to 100μF						
Rated Capacitance Tolerance	±20% at 120Hz, 20°C						
Leakage Current	After 2 minutes' application of rated voltage, leakage current is not more than 0.01CV or 3 (μA), whichever is greater.						
Tangent of loss angle (tan δ)	Measurement frequency : 120Hz, Temperature : 20°C						
	Rated voltage (V)	6.3	10	16	25	35	
	tan δ (MAX.)	0.22	0.20	0.18	0.14	0.12	
Stability at Low Temperature	Measurement frequency : 120Hz						
	Rated voltage (V)		6.3	10	16	25	35
	Impedance ratio	Z-25°C / Z+20°C	2	2	2	2	2
	ZT / Z20 (MAX.)	Z-55°C / Z+20°C	4	4	3	3	3
Endurance	The specifications listed at right shall be met when the capacitors are restored to 20°C after the rated voltage is applied for 1000 hours at 105°C.						
	Capacitance change	Within ±20% of the initial capacitance value					
	tan δ	200% or less than the initial specified value					
	Leakage current	Less than or equal to the initial specified value					
Shelf Life	After storing the capacitors under no load at 105°C for 1000 hours and then performing voltage treatment based on JIS C 5101-4 clause 4.1 at 20°C, they shall meet the specified values for the endurance characteristics listed above.						
Marking	Printed with white color letter on dark brown sleeve.						

## Radial Lead Type



## Type numbering system (Example : 25V 10μF)



## Dimensions

Cap.(μF)	Code	6.3			10			16			25			35			
		0J			1A			1C			1E			1V			
1	010														4×5	5.0	50
1.5	1R5														4×5	5.0	50
2.2	2R2														4×5	5.0	50
3.3	3R3														4×5	5.0	50
4.7	4R7										4×5	5.0	50		4×5	5.0	50
6.8	6R8										4×5	5.0	50		5×5	2.6	80
10	100							4×5	5.0	50	5×5	2.6	80		5×5	2.6	80
15	150							5×5	2.6	80	6.3×5	1.3	115		6.3×5	1.3	115
22	220	4×5	5.0	50				5×5	2.6	80	6.3×5	1.3	115		6.3×5	1.3	115
33	330	5×5	2.6	80				5×5	2.6	80	6.3×5	1.3	115		6.3×5	1.3	115
47	470	5×5	2.6	80	6.3×5	1.3	115	6.3×5	1.3	115	6.3×5	1.3	115				
68	680	6.3×5	1.3	115													
100	101	6.3×5	1.3	115													

## Frequency coefficient of rated ripple current

Frequency	50 Hz	120 Hz	300 Hz	1 kHz	10 kHz or more
Coefficient	0.35	0.50	0.64	0.83	1.00

Max. Impedance (Ω) at 20°C 100kHz  
Rated ripple current (mArms) at 105°C 100kHz

Please refer to page 20, 21, 22 about the formed or taped product spec.  
Please refer to page 4 for the minimum order quantity.

CAT.8100Y