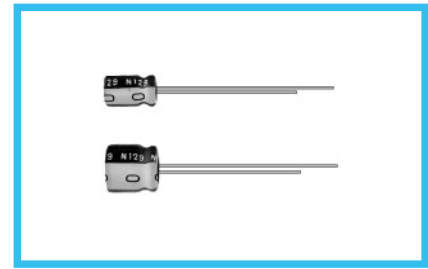
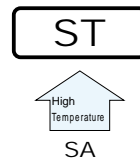


**ST** series 7mmL, Wide Temperature Range



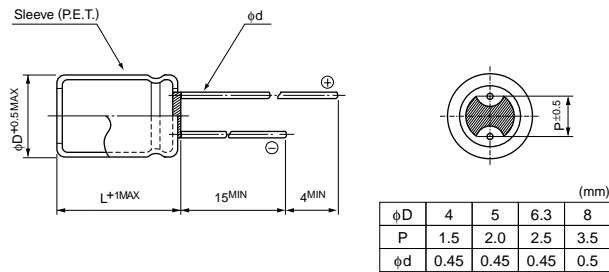
- Wide temperature range of -55 to +105°C, with 7mm height.
- Compliant to the RoHS directive (2002/95/EC).



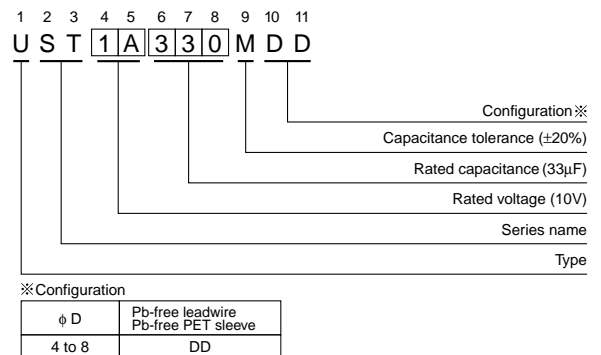
## Specifications

Item	Performance Characteristics						
Category Temperature Range	-55 to +105°C						
Rated Voltage Range	6.3 to 50V						
Rated Capacitance Range	0.1 to 220μF						
Capacitance Tolerance	±20% at 120Hz, 20°C						
Leakage Current	After 2 minutes' application of rated voltage, leakage current is not more than 0.01CV or 3 (μA), whichever is greater.						
Tangent of loss angle (tan δ)	Measurement frequency : 120Hz, Temperature : 20°C						
	Rated voltage (V)	6.3	10	16	25	35	50
Stability at Low Temperature	Measurement frequency : 120 Hz						
	Rated voltage (V)	6.3	10	16	25	35	50
	Impedance ratio ZT / Z20 (MAX.)	Z-25°C / Z+20°C	3	2	2	2	2
Endurance	The specifications listed at right shall be met when the capacitors are restored to 20°C after the rated voltage is applied for 1000 hours at 105°C.						
	Capacitance change	Within ±25% of the initial capacitance value (16V or less) Within ±20% of the initial capacitance value (25V or more)					
Shelf Life	After storing the capacitors under no load at 105°C for 1000 hours and then performing voltage treatment based on JIS C 5101-4 clause 4.1 at 20°C, they shall meet the specified values for the endurance characteristics listed above.						
	tan δ	200% or less than the initial specified value					
Marking	Printed with white color letter on black sleeve.						
	Leakage current	Less than or equal to the initial specified value					

## Radial Lead Type



## Type numbering system (Example : 10V 33μF)



## Dimensions

Cap.(μF)	Code	V											
		6.3		10		16		25		35		50	
		0J	1A	1C	1E	1V	1H						
0.1	0R1											4 × 7	1.0
0.22	R22											4 × 7	2.3
0.33	R33											4 × 7	3.5
0.47	R47											4 × 7	5.0
1	010											4 × 7	10
2.2	2R2											4 × 7	19
3.3	3R3											4 × 7	24
4.7	4R7											4 × 7	29
10	100					4 × 7	29	5 × 7	33	5 × 7	36	6.3 × 7	44
22	220	4 × 7	34	5 × 7	38	5 × 7	44	6.3 × 7	51	6.3 × 7	57	8 × 7	65
33	330	5 × 7	42	5 × 7	47	6.3 × 7	57	6.3 × 7	63	8 × 7	72		
47	470	5 × 7	50	6.3 × 7	59	6.3 × 7	68	8 × 7	78				
100	101	6.3 × 7	77	8 × 7	96	8 × 7	107						
220	221	8 × 7	130	8 × 7	140								

## Frequency coefficient of rated ripple current

Frequency	50 Hz	120 Hz	300 Hz	1 kHz	10 kHz or more
Coefficient	0.70	1.00	1.17	1.36	1.50

Please refer to page 20, 21, 22 about the formed or taped product spec.  
Please refer to page 4 for the minimum order quantity.

CAT.8100Y