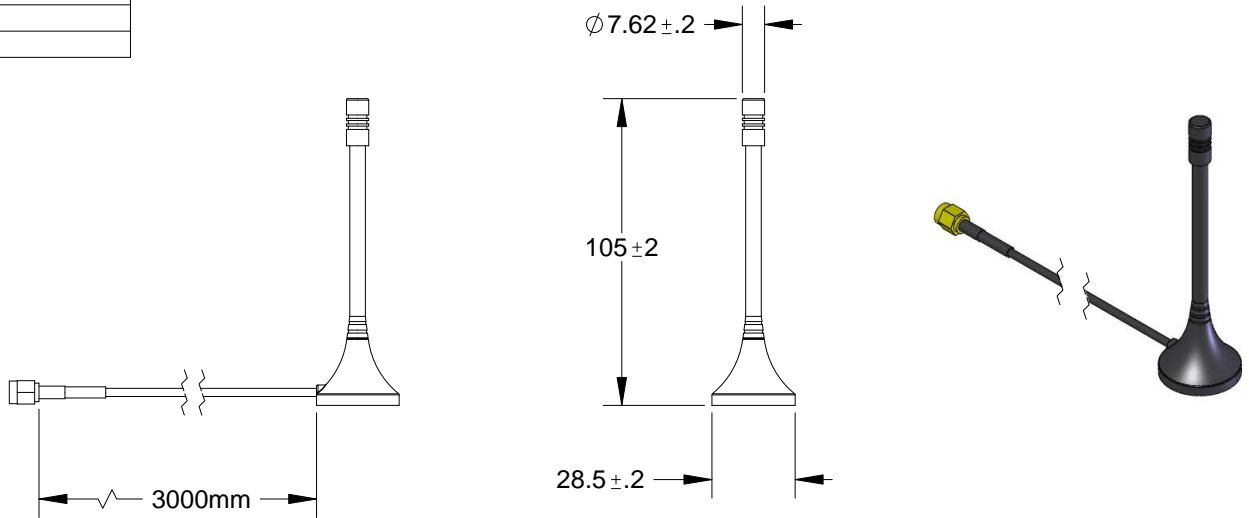


Specifications	
Manufacturer	Boboto
Model	TQC-800/1900-3A
Type	Mag Mount
Frequency	850/1900 MHz
Polarization	Vertical
Gain	3dBi
Impedance	50 Ohms
VSWR	2.0 : 1
Wave	1/4 Wave Dipole
Connector	SMA
Coax Cable	RG174
Housing	ABS/PVC
Color	Black
RoHS Compliant	Yes



ALL DIMENSIONS IN mm



-NOTICE-

This drawing may contain confidential and proprietary information of Multi Tech Systems Inc. It is loaned for limited purposes only and remains the property of Multi Tech Systems Inc. It may not be reproduced in whole or part without written consent. This drawing is to be returned upon request. Uncontrolled when printed.

Title
850/1900 MHz Mag Mt Antenna

Drawn	Dean Brandt	12/12/08	Scale	NONE	Sheet	1 of 1
Checked			Size	A	Dwg. No.	ANCF2-1MMQW
Approved						45009707L
					Rev.	-