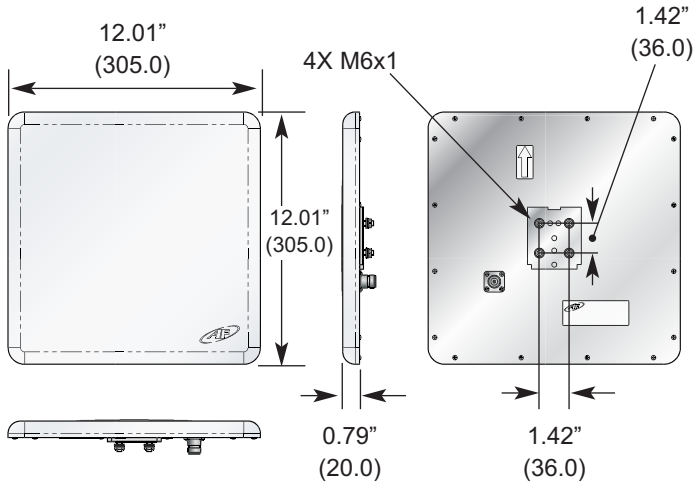
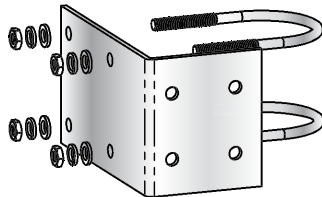


Product Dimensions



Mounting Hardware
(Included)



Description



The PN Series of panel mount antennas are designed for long distance directional communication of wireless links. Gain and directivity are superior to typical Yagi antennas, increasing the range and reliability of your wireless link. The PN Series sleek and cosmetically attractive package is also rugged and fully weatherized, making the antenna equally suited for indoor or outdoor applications. Each antenna includes complete mounting hardware for standard masts.

NOTE Use of gain antennas may result in TX and RX emission levels in excess of legal limits.

Features

- High gain
- Excellent directivity
- Fully weatherized
- Rugged & damage-resistant
- N connector

Electrical Specifications

- Center Freq. 2.45GHz
- Bandwidth 83MHz (2400 - 2483)
- Polarization Vertical
- VSWR ≤ 1.5 typ. at center
- Impedance 50 ohms
- Gain 16dBi
- Beamwidth 23° horizontal, 23° vertical
- Max. Power 100W
- Connector N-style female
- Mounting Bracket with U-bolts, 1.58"-1.97"(40-50mm) mast
- Weight 3.3lbs (1.5kg)
- Wind Velocity 75mph (33m/s)

Ordering Information

- ANT-2.4-PN-SM-01-N
Visit connectorcity.com for cable assemblies

VSWR Graph

