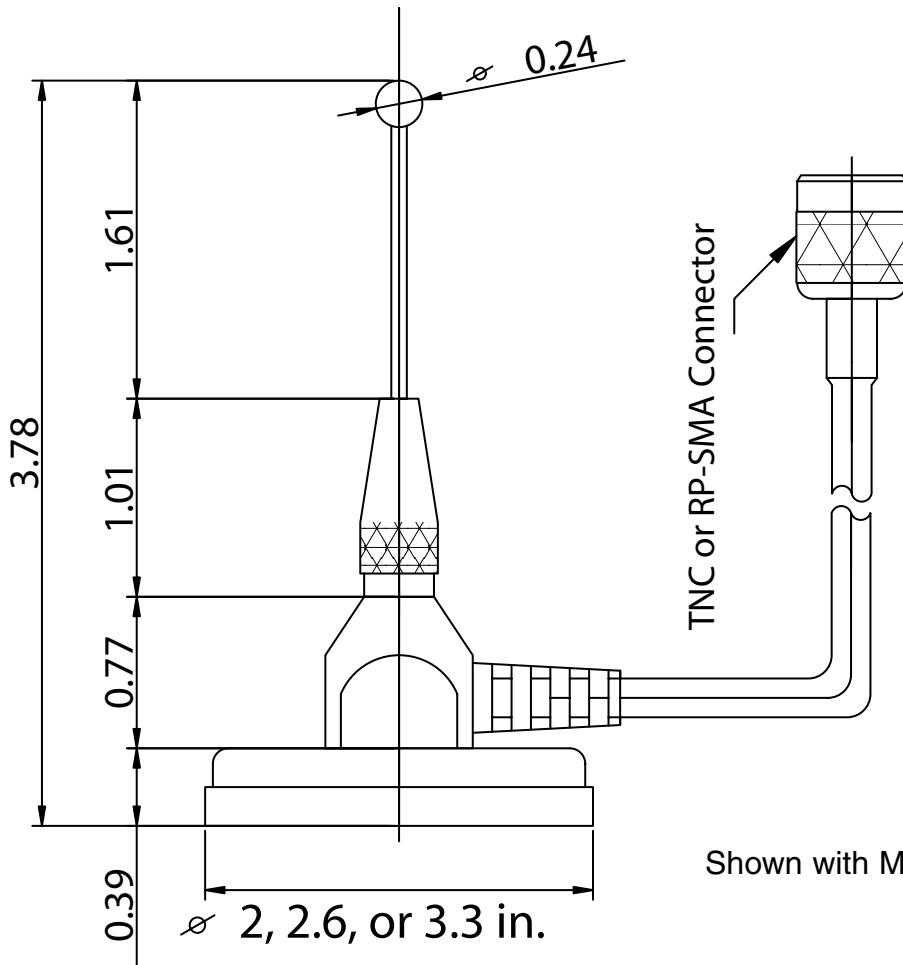


# ANT-ELE-S01-010

## Short Whip-Element for Mag. 1 Bases



Shown with MAG-1 Series Base (Not Included)

### ELECTRICAL SPECIFICATIONS

SPECIFICATION	
Frequency Range	860-960MHz
Gain	0dBi or Unity
V.S.W.R.	<1.5
Impedance	50 $\Omega$

*Other cable terminations available for volume orders.*

For additional information, please contact Antenna Factor at 800-489-1634 or visit [www.antennafactor.com](http://www.antennafactor.com).  
 Recipient understands any or all of the above specifications are subject to change without notice and proceeds with integration at own risk.

Revised 9/4/02