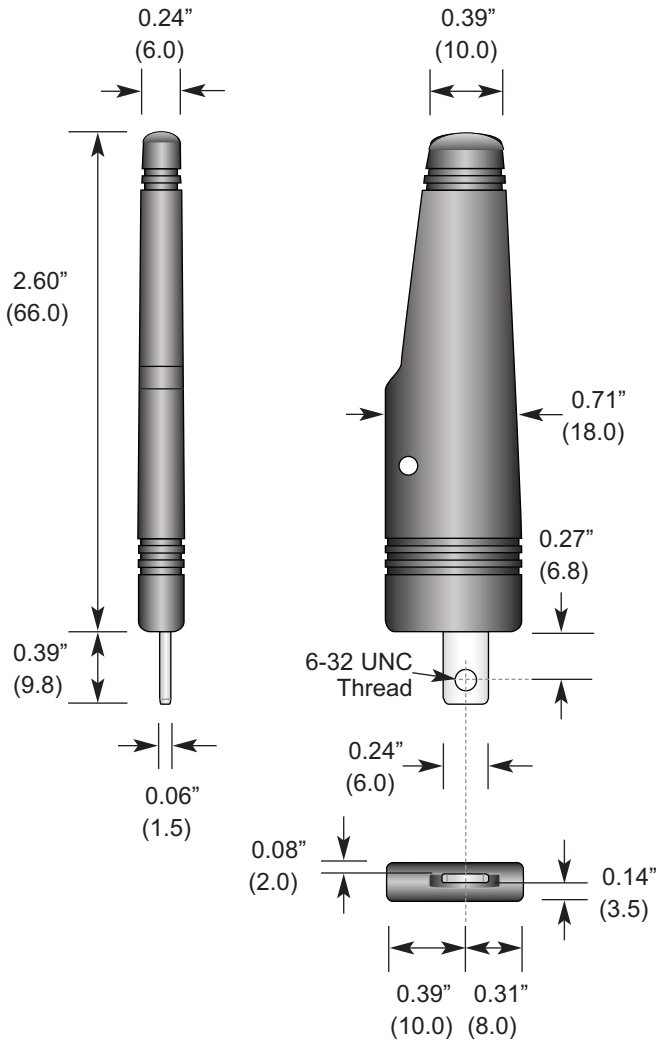


Product Dimensions



Description



PMA Series 1/4-wave whip antennas combine outstanding value and unique style. The stylish package is resistant to damage and abuse thanks to its highly flexible internal element. The PMA mounts to a PCB via a single screw and meets Part 15 requirements.

Features

- Low cost
- Omni-directional pattern
- Fully weatherized
- Flexible main shaft
- Rugged & damage-resistant
- Screw-mount

Electrical Specifications

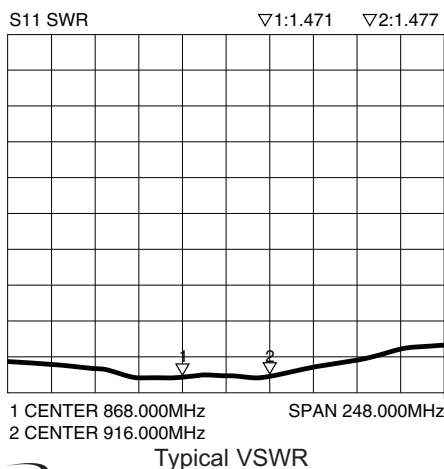
- Center Freq. Covers 868MHz and 902 - 928MHz
- Bandwidth 190MHz
- Wavelength 1/4-wave
- VSWR <1.9 typ. at center
- Impedance 50 ohms
- Connection Screw-mount: 6-32 UNC Screw (included)

Electrical specifications and plots measured on 4.00" x 4.00" reference ground plane

Ordering Information

- ANT-868/916-PMA

VSWR Graph



Polar Plot & Gain Information

Monopole antenna gain and radiation patterns are dependant on the ground plane and layout of the end product. Since antenna manufacturers do not measure on standardized ground references, comparison of published specifications is an unreliable indication of actual antenna performance in an end product. Optimum full-wave ground planes are impractical for the majority of products on which these antennas are used (the ground plane for 916MHz would be 26.5" in diameter, 418MHz would be 56.5" in diameter). For this reason, Antenna Factor tests and tunes antennas on reduced-size, compromised ground planes. To avoid mis-comparison or inappropriate application, gain and polar plots do not appear on this data sheet, but are available upon request for most products.

