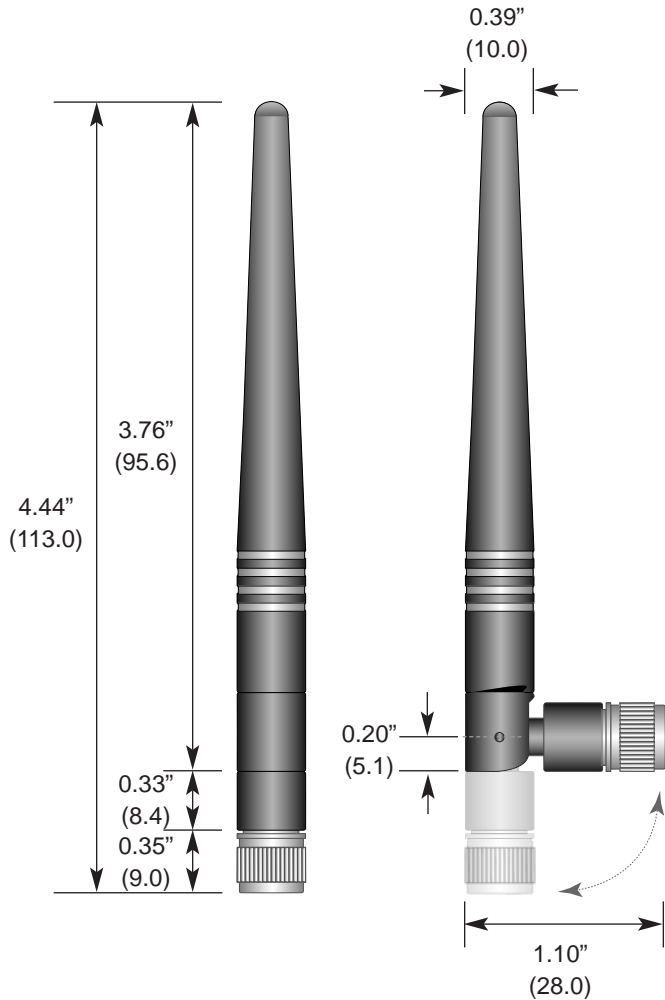


Product Dimensions



Description



The RCT Series 1/2-wave antenna delivers outstanding performance with an innovative articulating base that allows it to tilt 90° and rotate 360° for optimum orientation. The antenna's internal counterpoise eliminates external ground plane dependence and maximizes performance. The RCT attaches via a standard SMA or Part 15 compliant RP-SMA connector.

Features

- Internal counterpoise
- Tilts and rotates
- Excellent performance
- Omni-directional pattern
- Very low VSWR
- Fully weatherized
- Rugged and damage-resistant
- Standard SMA or Part 15 compliant RP-SMA connector

Electrical Specifications

- Center Freq. 2.45GHz
- Bandwidth 120MHz
- Wavelength 1/2-wave
- VSWR <1.9 typ. at center
- Impedance 50 ohms
- Connector RP-SMA or SMA

Electrical specifications and plots measured on 4.00" x 4.00" reference ground plane

Ordering Information

- ANT-2.4-CW-RCT-RP (with RP-SMA connector)
- ANT-2.4-CW-RCT-SS (with SMA connector)

VSWR Graph

