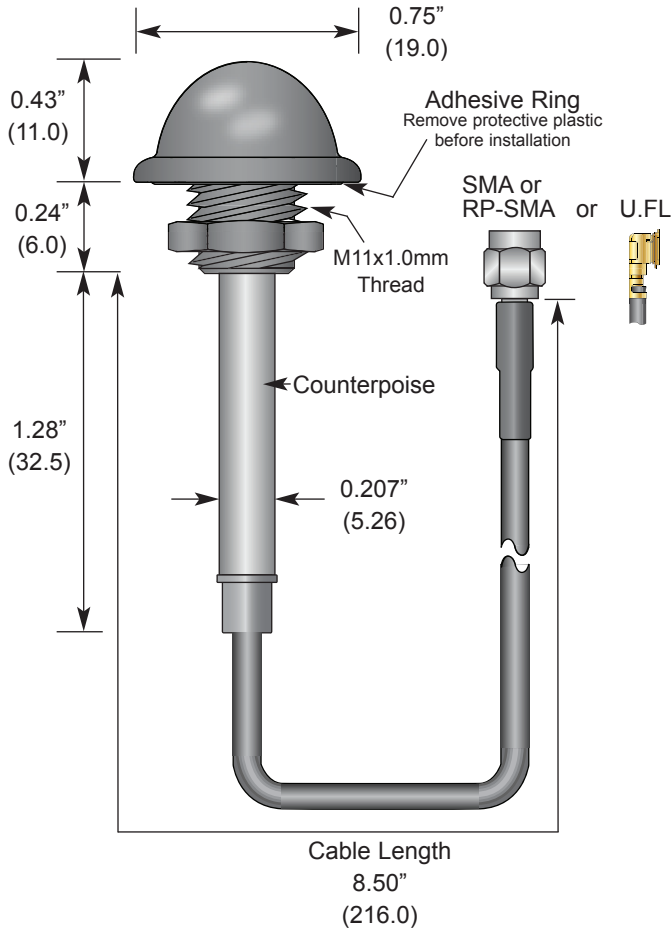


Product Dimensions



Description



The WRT Series antenna is ideally suited for applications such as wireless vending, security, traffic, or power equipment which require an unobtrusive, tamper-resistant antenna solution. The tiny 19 x 11mm radome installs through a small hole on the product and is anchored by a threaded base. An adhesive foam compression ring is used to resist the elements. The 1/2-wave antenna also features an integral counterpoise, which eliminates the need for a proximity ground plane. The antenna's coax feed is available with SMA, RP-SMA, or U.FL terminations. Alternate coax lengths, connectors and custom colors are available for volume OEM customers.

Features

- Low cost
- Unobtrusive
- Tamper resistant
- Integral counterpoise
- Indoor / outdoor
- Adhesive or permanent mount

Electrical Specifications

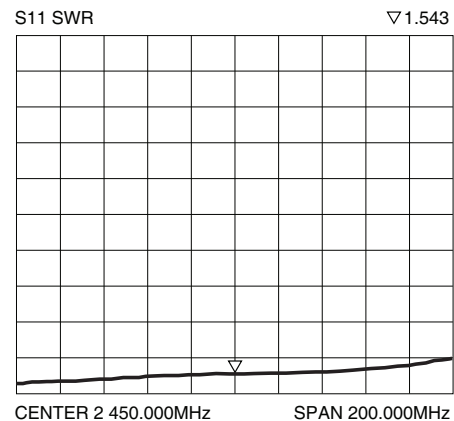
• Center Freq.	2.45GHz
• Recommended Oper. Freq.	2.4 - 2.5GHz
• Wavelength	1/2-wave
• VSWR	<1.9 typ. at center
• Impedance	50 ohms
• Connector	RP-SMA, SMA, or U.FL
• Cable	RG-174 RP-SMA & SMA 1.32mm U.FL

Electrical specifications and plots measured on 24" x 24" reference ground plane

Ordering Information

- ANT-2.4-WRT-RPS (with RP-SMA connector)
- ANT-2.4-WRT-SMA (with SMA connector)
- ANT-2.4-WRT-UFL (with U.FL connector)

VSWR Graph



Typical VSWR

