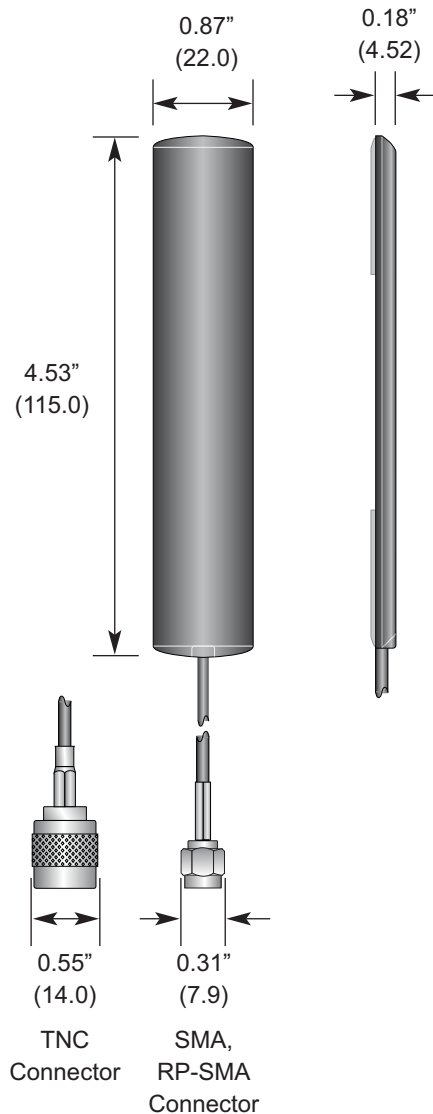


Product Dimensions



Description



The VDP Series is a compact, center-fed antenna that achieves efficient operation at any or all of three frequency bands. Its durable, unobtrusive housing attaches permanently with integral adhesive to flat, non-conductive surfaces such as windows, drywall, ceiling tiles, plastic, etc. The antenna is supplied with 9.8 feet (3m) of RG-174 cable that enters from the bottom to facilitate vertical orientation. It can be terminated in a TNC, standard SMA, or FCC Part 15 compliant RP-SMA connector.

Features

- Tri-band (824-960MHz, 1.71-1.99GHz, and 2.401-2.483GHz)
- Center-fed from the bottom
- Surface-mount
- Low VSWR
- Excellent performance
- Omni-directional pattern
- Fully weatherized, durable, & unobtrusive
- TNC, SMA or RP-SMA connector

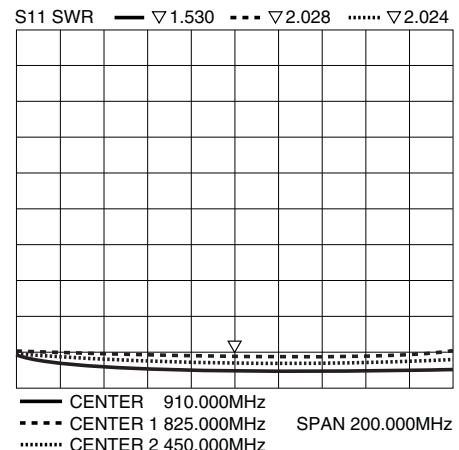
Electrical Specifications

- Recm. Freq. Range
 - Band 1 824-960MHz
 - Band 2 1.71-1.99GHz
 - Band 3 2.40-2.48GHz
- Wavelength 1/2-wave
- VSWR
 - Band 1 ≤1.5 typ. at center
 - Band 2 ≤1.9 typ. at center
 - Band 3 ≤1.9 typ. at center
- Impedance 50 ohms
- Connector TNC, SMA or RP-SMA
- Cable 9.8' RG-174 coax

Ordering Information

- ANT-DB1-VDP-TNC (with TNC connector)
- ANT-DB1-VDP-SMA (with SMA connector)
- ANT-DB1-VDP-RPS (with RP-SMA connector)

VSWR Graph



Typical VSWR

