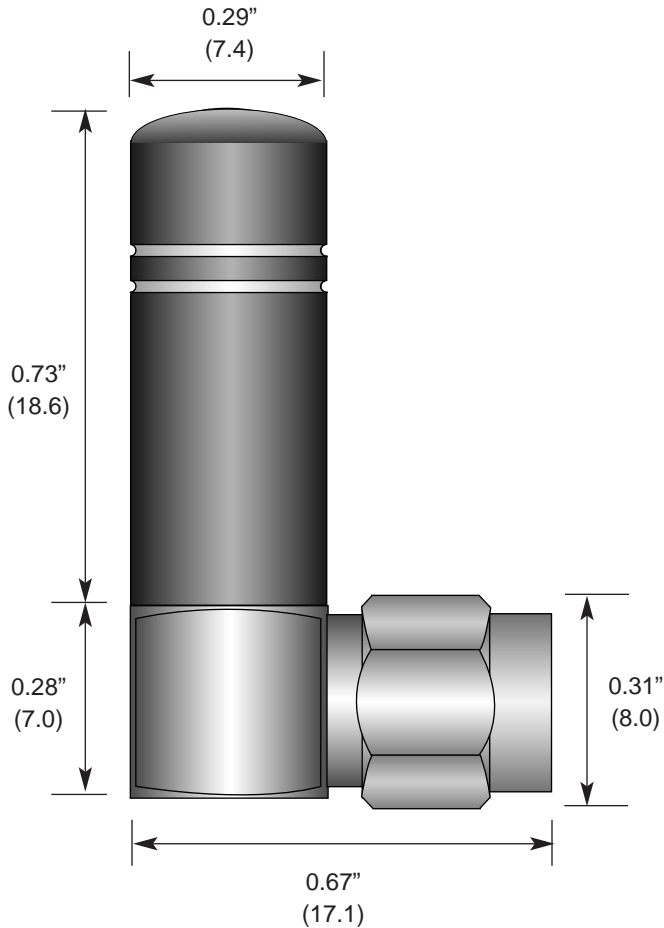


Product Dimensions



Description



The RAH Series utilizes a helical element to greatly reduce the physical length of the antenna housing. They are ideal for products requiring an ultra-compact, aesthetically pleasing antenna in a right-angle form factor. Despite their tiny size, they are ruggedly constructed and able to withstand punishing environments just like our larger whips. The antennas attach via a Part 15 compliant RP-SMA connector. The 2.45GHz version is also available with a standard SMA connector.

Features

- Low cost
 - Ultra-compact
 - Right-angle mount
 - Excellent performance
 - Omni-directional pattern
 - Fully weatherized
 - Flexible main shaft
 - Rugged & damage-resistant
 - Part 15 compliant RP-SMA connector
 - Use with plastic* or metal enclosures
- * Requires proximity ground plane

Electrical Specifications

- Center Freq. 2.45GHz
- Bandwidth 300MHz
- Wavelength 1/4-wave
- VSWR <2.0 typ. at center
- Impedance 50 ohms
- Connector RP-SMA or SMA

Electrical specifications and plots measured on 4.00" x 4.00" reference ground plane

Ordering Information

- ANT-2.4-CW-RAH-RPS (with RP-SMA connector)
- ANT-2.4-CW-RAH-SMA (with SMA connector)

VSWR Graph

