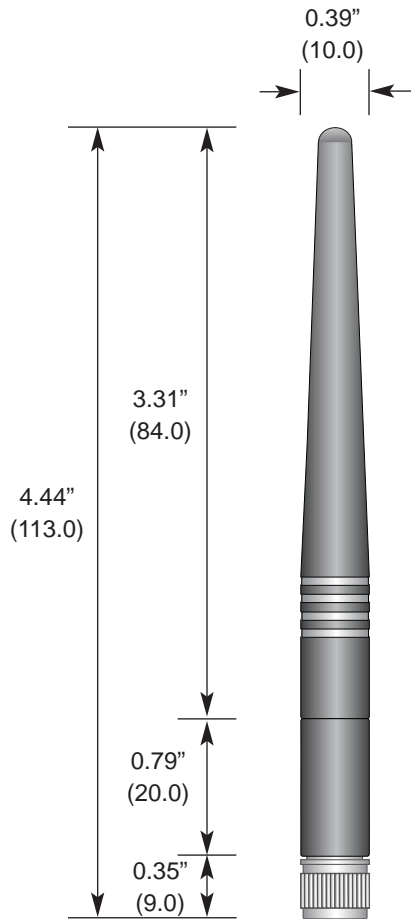


### Product Dimensions



### Description



The CT Series 1/2-wave 2.4GHz antenna delivers outstanding performance in a rugged and cosmetically-attractive package. The antenna's internal counterpoise eliminates external ground plane dependence and maximizes performance. CT Series antennas attach using a standard SMA or Part 15 compliant RP-SMA connector, though alternate connectors and custom colors are available for volume OEM customers.

### Features

- Internal counterpoise
- Excellent performance
- Omni-directional pattern
- Very low VSWR
- Fully weatherized
- Rugged and damage-resistant
- Standard SMA or Part 15 compliant RP-SMA connector

### Electrical Specifications

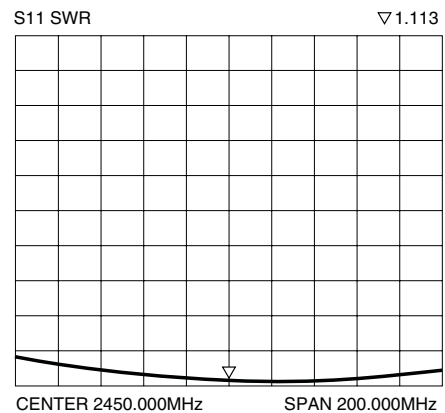
- Center Freq. 2.45GHz
- Bandwidth 150MHz
- Wavelength 1/2-wave
- VSWR <1.9 typ. at center
- Impedance 50 ohms
- Connector RP-SMA or SMA

Electrical specifications and plots measured on 4.00" x 4.00" reference ground plane

### Ordering Information

- ANT-2.4-CW-CT-RPS (with RP-SMA connector)
- ANT-2.4-CW-CT-SMA (with SMA connector)

### VSWR Graph



Typical VSWR

