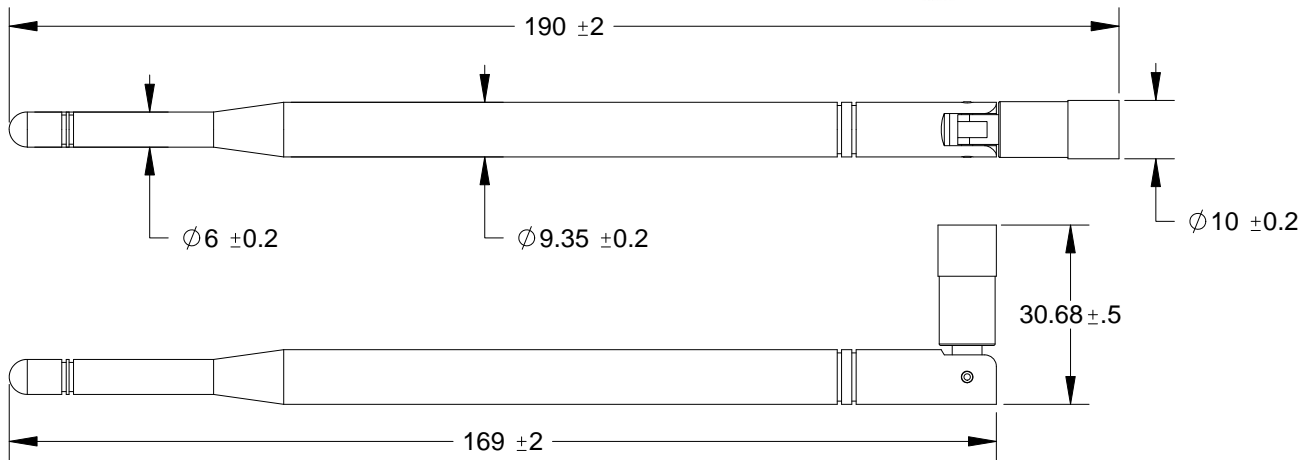
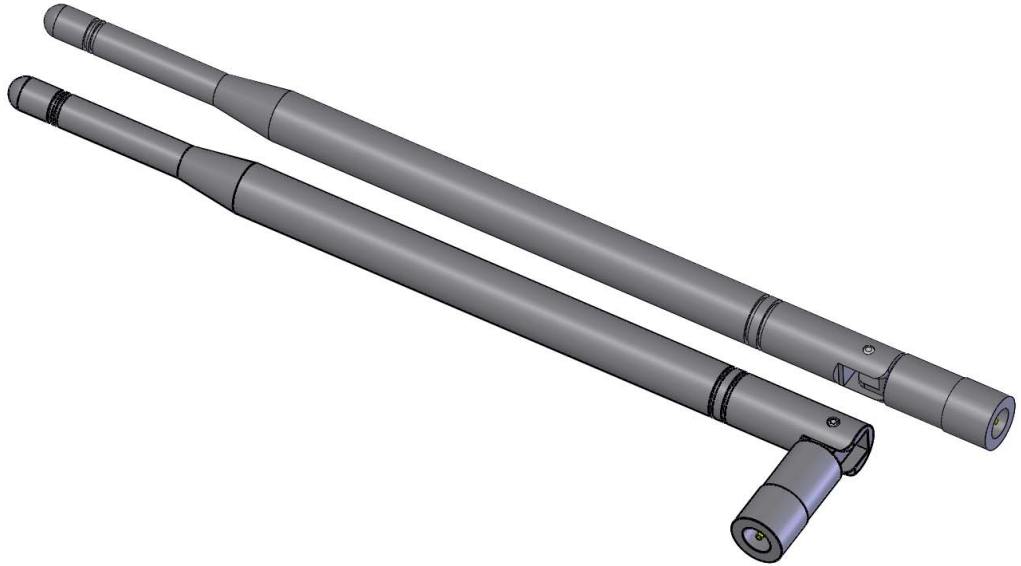


Specifications	
Manufacturer	Exceltek Electronics Ltd.
Model	C0081-ANG0002
Type	Swivel
Frequency	850/900/1800/1900 MHz
Polarization	Vertical
Gain	2.0dBi
Impedance	50 Ohms
VSWR	2.0 : 1
Wave	1/2 Wave Dipole
Connector	SMA
Coax Cable	NA
Housing	Polycarbonate/TPE
Color	Black
RoHS Compliant	Yes



ALL DIMENSIONS IN mm



-NOTICE-

This drawing may contain confidential and proprietary information of Multi Tech Systems Inc. It is loaned for limited purposes only and remains the property of Multi Tech Systems Inc. It may not be reproduced in whole or part without written consent. This drawing is to be returned upon request. Uncontrolled when printed.

Title

QUAD BAND ANTENNA

Drawn	Dean Brandt	12/12/08	Scale	NONE	Sheet	1 of 1
Checked			Size	A	Dwg. No.	ANQB
Approved						45009713L
					Rev.	-