

902 MHz – 928 MHz Dipole 2dBi Antenna for Reverse Polarity SMA



ORDERING INFORMATION

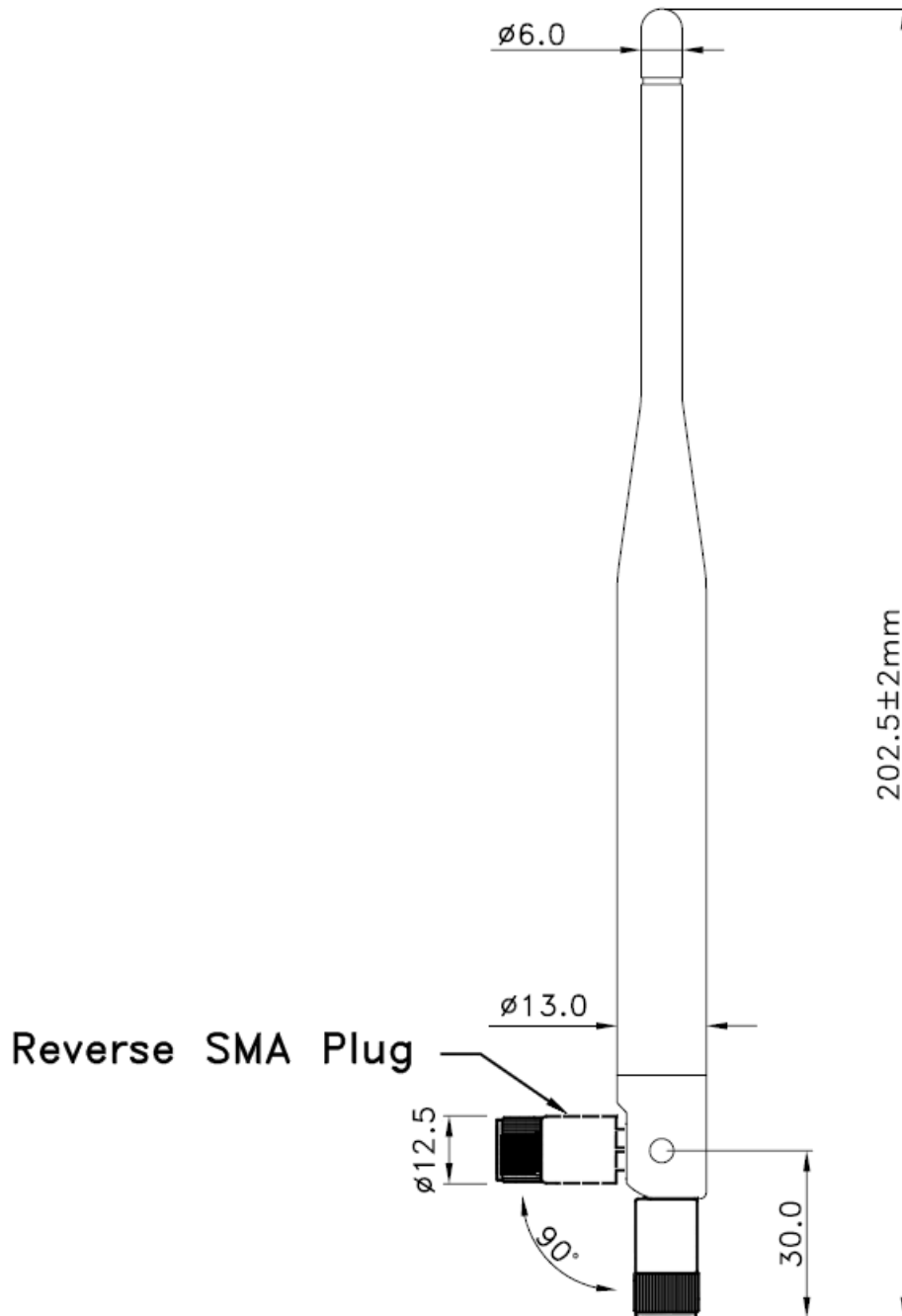
| Order Number | Description |
|--------------|--|
| 001-0002 | 900 MHz dipole antenna for reverse polarity SMA connector. |

SPECIFICATIONS

| Specification | Value |
|---------------|----------------------------------|
| Gain | +2 dBi |
| Impedance | 50 ohms |
| Type | Dipole |
| Polarization | Linear Vertical |
| VSWR | ≤2.5 : 1 |
| Frequency | ~902-928 MHz centered at 915 MHz |
| Weight | 13g |
| Size | 210×10 mm |
| Antenna Color | Black |

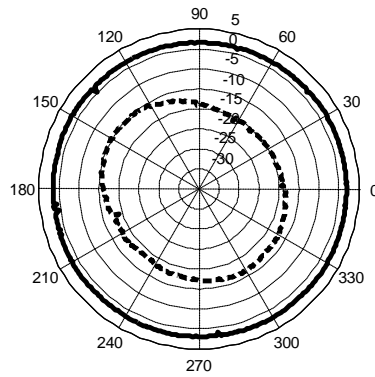
The information in this document is subject to change without notice.
Confirm the data is current by downloading the latest revision from www.lsr.com.

PHYSICAL DIMENSIONS (MM)



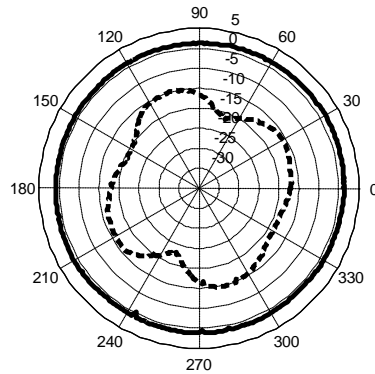
The information in this document is subject to change without notice.
Confirm the data is current by downloading the latest revision from www.lsr.com.

ANTENNA MEASUREMENTS



___ Vertical Polarization Gain (dBi) min: +0.2 max: +2.1 avg: +1.7
 ---- Horizontal Polarization Gain (dBi) min: -16.0 max: -9.6 avg: -12.7

Figure 1 Extended Position, Vertical



___ Vertical Polarization Gain (dBi) min: -0.1 max: +1.6 avg: +1.1
 ---- Horizontal Polarization Gain (dBi) min: -17.9 max: -9.6 avg: -12.6

Figure 2 Folded Position, Vertical

The information in this document is subject to change without notice.
 Confirm the data is current by downloading the latest revision from www.lsr.com.

CONTACTING LS RESEARCH

| | |
|--------------------------|--|
| Headquarters | LS Research, LLC W66 N220 Commerce Court Cedarburg, WI 53012-2636 USA Tel: 1(262) 375-4400 Fax: 1(262) 375-4248 |
| Website | www.lsr.com |
| Technical Support | support@lsr.com |
| Sales Contact | sales@lsr.com |

The information in this document is provided in connection with LS Research (hereafter referred to as “LSR”) products. No license, express or implied, by estoppel or otherwise, to any intellectual property right is granted by this document or in connection with the sale of LSR products. EXCEPT AS SET FORTH IN LSR’S TERMS AND CONDITIONS OF SALE LOCATED ON LSR’S WEB SITE, LSR ASSUMES NO LIABILITY WHATSOEVER AND DISCLAIMS ANY EXPRESS, IMPLIED OR STATUTORY WARRANTY RELATING TO ITS PRODUCTS INCLUDING, BUT NOT LIMITED TO, THE IMPLIED WARRANTY OF MERCHANTABILITY, FITNESS FOR A PARTICULAR PURPOSE, OR NON-INFRINGEMENT. IN NO EVENT SHALL LSR BE LIABLE FOR ANY DIRECT, INDIRECT, CONSEQUENTIAL, PUNITIVE, SPECIAL OR INCIDENTAL DAMAGES (INCLUDING, WITHOUT LIMITATION, DAMAGES FOR LOSS OF PROFITS, BUSINESS INTERRUPTION, OR LOSS OF INFORMATION) ARISING OUT OF THE USE OR INABILITY TO USE THIS DOCUMENT, EVEN IF LSR HAS BEEN ADVISED OF THE POSSIBILITY OF SUCH DAMAGES. LSR makes no representations or warranties with respect to the accuracy or completeness of the contents of this document and reserves the right to make changes to specifications and product descriptions at any time without notice. LSR does not make any commitment to update the information contained herein. Unless specifically provided otherwise, LSR products are not suitable for, and shall not be used in, automotive applications. LSR’s products are not intended, authorized, or warranted for use as components in applications intended to support or sustain life.

The information in this document is subject to change without notice.
Confirm the data is current by downloading the latest revision from www.lsr.com.