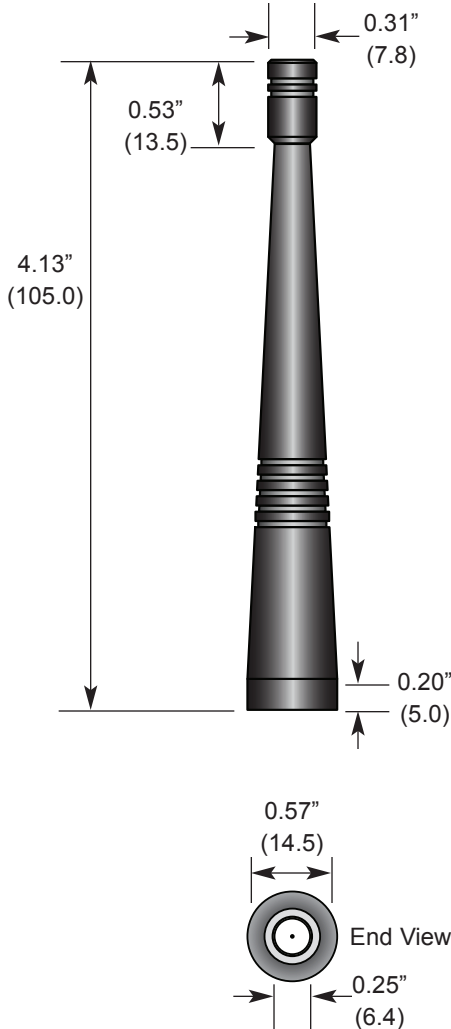


Product Dimensions



Description



CW Series 1/2-wave antennas deliver outstanding performance in a rugged and cosmetically attractive package. The internal ground reference reduces dependence on an external ground plane. These antennas are available with standard SMA or FCC Part 15 compliant RP-SMA connectors. RP-SMA connectors allow for easy field replacement while complying with FCC requirements. A wide variety of matching connectors permit numerous mounting options.

Features

- Low cost
- Excellent performance
- Omni-directional pattern
- Wide bandwidth
- Very low VSWR
- Fully weatherized
- Flexible main shaft
- Rugged & damage-resistant
- SMA or Part 15 compliant RP-SMA connector
- Use with plastic or metal enclosures

Electrical Specifications

- | | |
|---------------------------|---------------------|
| • Center Freq. | 2.45GHz |
| • Recommended Freq. Range | 2.35-2.60GHz |
| • Wavelength | 1/2-wave |
| • VSWR | <1.9 typ. at center |
| • Impedance | 50 ohms |
| • Connector | SMA or RP-SMA |

Electrical specifications and plots measured on 4.00" x 4.00" reference ground plane

Ordering Information

- ANT-2.4-CW-QW-RPS (with RP-SMA connector)
- ANT-2.4-CW-QW-SMA (with SMA connector)

VSWR Graph

