

8-Channel Serial to Parallel Converter with High Voltage Push-Pull Outputs, POL, Hi-Z, and Short Circuit Detect

Features

- ❑ HVCMOS, technology
- ❑ Operating output voltage of 250V
- ❑ Low power level shifting from 5V to 250V
- ❑ Shift register speed 8MHz @ $V_{DD}=5V$
- ❑ 8 latch data outputs
- ❑ Output polarity and blanking
- ❑ CMOS compatible inputs
- ❑ Output short circuit detect
- ❑ Output high-Z control

Applications

- ❑ Piezoelectric transducer driver
- ❑ Weaving applications
- ❑ Braille
- ❑ Printers
- ❑ MEMs
- ❑ Displays

General Description

The HV513 is a low voltage serial to high voltage parallel converter with 8 high voltage push-pull outputs. This device has been designed to drive small capacitive loads such as piezoelectric transducers. It can also be used in any application requiring multiple high voltage outputs, with medium current source and sink capabilities.

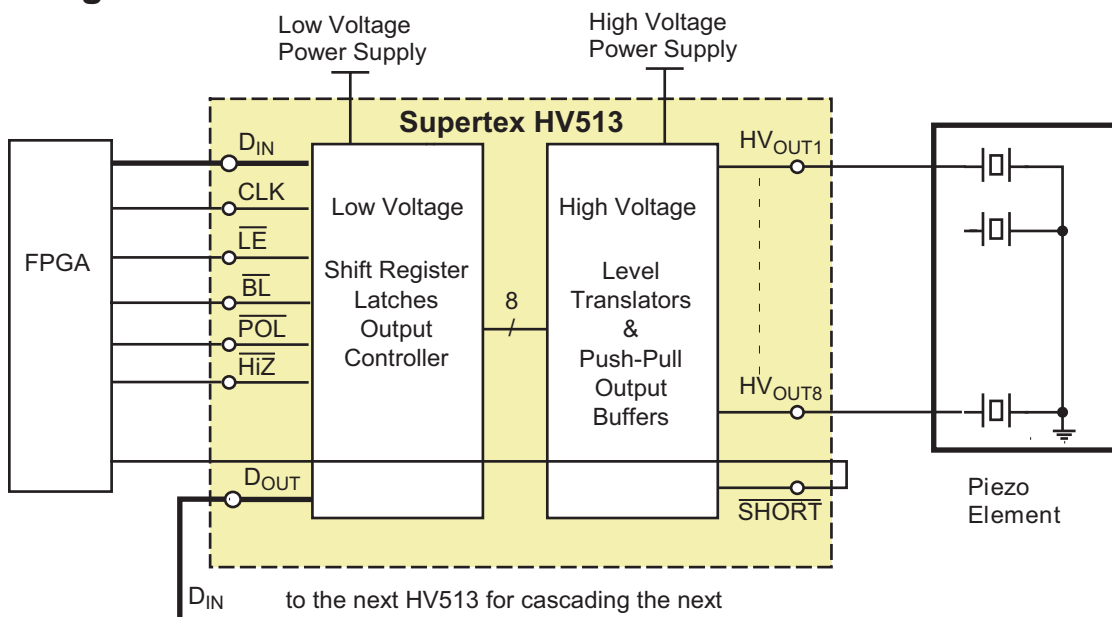
The device consists of an 8-bit shift register, 8 latches, and control logic to perform the polarity select and blanking of the outputs. Data is shifted through the shift register on the low to high transition of the clock. A data output buffer is provided for cascading devices. Operation of the shift register is not affected by the \overline{LE} , \overline{BL} , \overline{POL} , or the $\overline{HI-Z}$ control inputs. Transfer of data from the shift register to the latch occurs when the \overline{LE} is high. The data in the latch is stored when \overline{LE} is low. A high-Z, $\overline{HI-Z}$, pin is provided to set all the outputs in a high-Z state.

All outputs have short circuit protection that detects if the outputs have reached the required output state. If output does not track the required state, then the \overline{SHORT} pin will be low. This output will pulse low during the output transition period under normal operation; see SC Timing Diagram for details.

All outputs will have a break-before-make circuitry to reduce cross-over current during output state changes.

The \overline{POL} , \overline{BL} , \overline{LE} , and $\overline{HI-Z}$ inputs have an internal pull up resistor.

Application Diagram



DC Electrical Characteristics (Over operating supply voltages unless otherwise noted)

Symbol	Parameter	Min	Typ	Max	Units	Conditions
I_{DD}	V_{DD} supply current			4	mA	$f_{CLK}=8\text{MHz}$, $\overline{LE}=\text{LOW}$
I_{DDQ}	Quiescent V_{DD} supply current			0.1	mA	All $V_{IN}=V_{DD}$
				2.0		All $V_{IN}=0\text{V}$
I_{PP}	V_{PP} supply current			100	μA	$V_{PP}=250\text{V}$, $f_{OUT}=300\text{Hz}$, no load
I_{PPQ}	Quiescent V_{PP} supply current			100	μA	$V_{PP}=240\text{V}$, outputs static
I_{IH}	High-level logic input current			10	μA	$V_{IH}=V_{DD}$
I_{IL}	Low-level logic input current			-10	μA	$V_{IL}=0\text{V}$
				-350		$V_{IL}=0\text{V}$, for inputs w/pull-up resistors
V_{OH}	High-level output	H_{VOUT}	140		V	$V_{PP}=200\text{V}$, $I_{HVOUT}=-20\text{mA}$
		Data out	$V_{DD}-1\text{V}$			$I_{DOUT}=-0.1\text{mA}$
V_{OL}	Low-level output	H_{VOUT}		60	V	$V_{DD}=4.5\text{V}$, $I_{HVOUT}=-20\text{mA}$
		Data out		1.0		$I_{DOUT}=0.1\text{mA}$

DC Electrical Characteristics (Over operating supply voltages unless otherwise noted)

Symbol	Parameter	Min	Typ	Max	Units	Conditions
f_{CLK}	Clock frequency	0		8	MHz	
f_{OUT}	Output switching frequency (SOA limited)		300		Hz	$C_L=50\text{nF}$, $V_{PP}=200\text{V}$
t_W	Clock width high and low	62			ns	
t_{SU}	Data setup time before clock rises	15			ns	
t_H	Data hold time after clock rises	30			ns	
t_{WLE}	Width of latch enable pulse	80			ns	
t_{DLE}	LE delay time after rising edge of clock	35			ns	
t_{SLE}	LE setup time before rising edge of clock	40			ns	
t_{OR} , t_{OF}	Rise/fall time of HV_{OUT}			1000	μs	$C_L=100\text{nF}$, $V_{PP}=200\text{V}$
$t_{dON/OFF}$	Delay time for output to start rise/fall			500	ns	
t_{DHL}	Delay time clock to D_{OUT} high to low			110	ns	$C_L=15\text{pF}$
t_{DLH}	Delay time clock to D_{OUT} low to high			110	ns	$C_L=15\text{pF}$
t_R , t_F	All logic inputs			5	ns	
t_{SD}	Output short circuit detection			500	ns	Short to output fall of $\overline{\text{SHORT}}$, $C_L=15\text{pF}$
t_{SC}	Output short circuit clear			3000	ns	Short clear to output rise of $\overline{\text{SHORT}}$
t_{HI-Z}	Output high-Z state			500	ns	

Absolute Maximum Ratings¹

Supply Voltage, V_{DD}	-0.5V to 6V
Supply Voltage, V_{PP}	V_{DD} to 275V
Logic input levels	-0.5V to $V_{DD}+0.5\text{V}$
Ground current ²	0.3A
High voltage supply current ²	0.25A
Continuous total power dissipation ³	750mW
Operating temperature range	-40°C to +85°C
Storage temperature range	-65°C +150°C

1. All voltages are referenced to GND.

2. Connection to all power and ground pads is required. Duty cycle is limited by the total power dissipated in the package.

3. For operation above 25°C ambient derate linearly to 85°C at 12mW/°C.

Ordering Information

Device	Part Number	Package
HV513	HV513WG	24-Lead SOW
HV513	HV513X	Die in Wafer Form

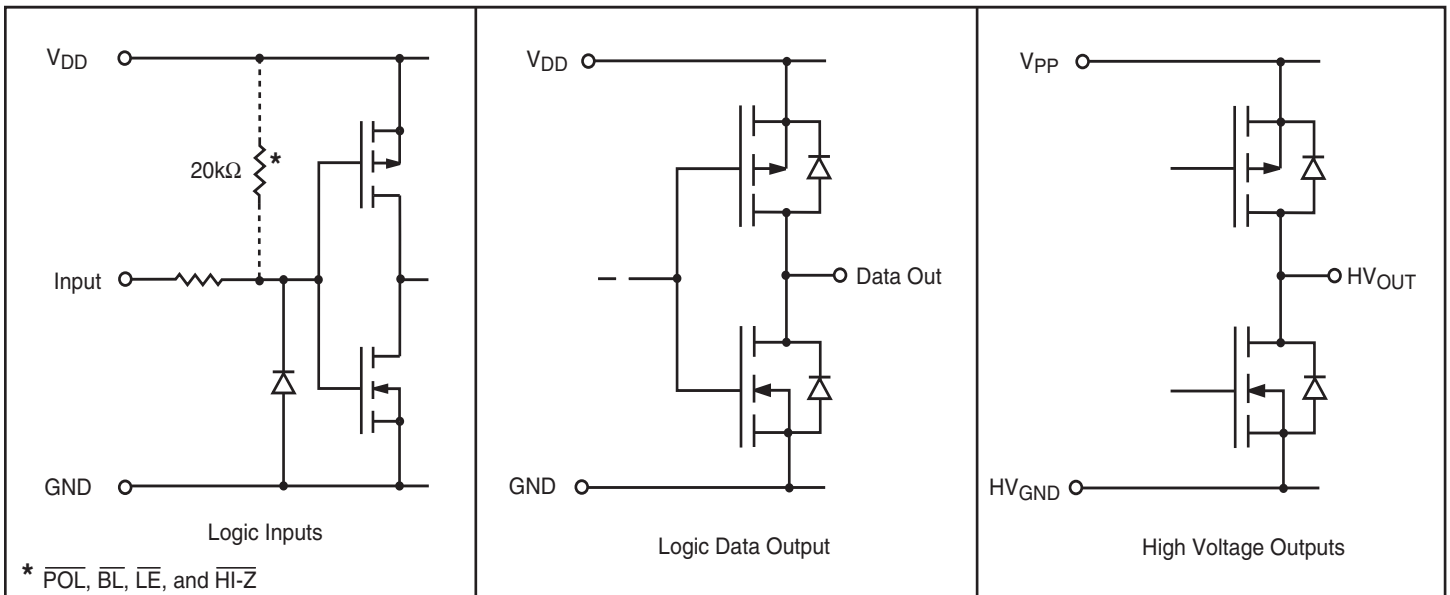
Operating Supply Voltages

Symbol	Parameter	Min	Typ	Max	Units	Conditions
V_{DD}	Logic supply voltage	4.5	5.0	5.5	V	
V_{PP}	High voltage supply	50		250	V	Note 1
V_{IH}	High-level input voltage	$V_{DD}-0.9$		V_{DD}	V	
V_{IL}	Low-level input voltage	0		0.9	V	
T_A	Operating free-air temperature	-40		+85	°C	

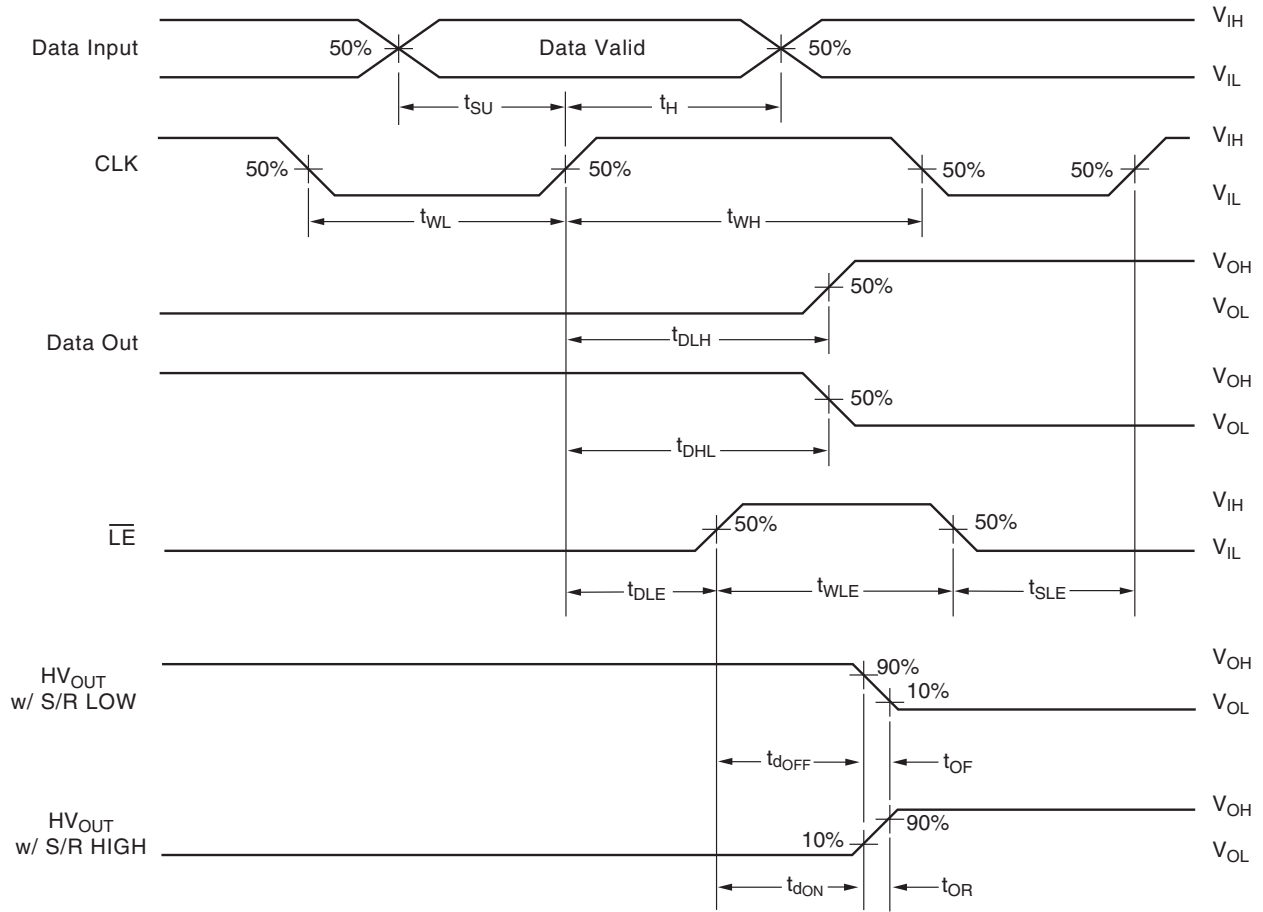
Notes:

- Below minimum V_{PP} the output may not switch.
 - Power-up sequence should be the following:**
 - Connect ground.
 - Apply V_{DD} .
 - Set all inputs (Data, CLK, Enable, etc.) to a known state.
 - Apply V_{PP} .
- Power-down sequence should be the reverse of the above.

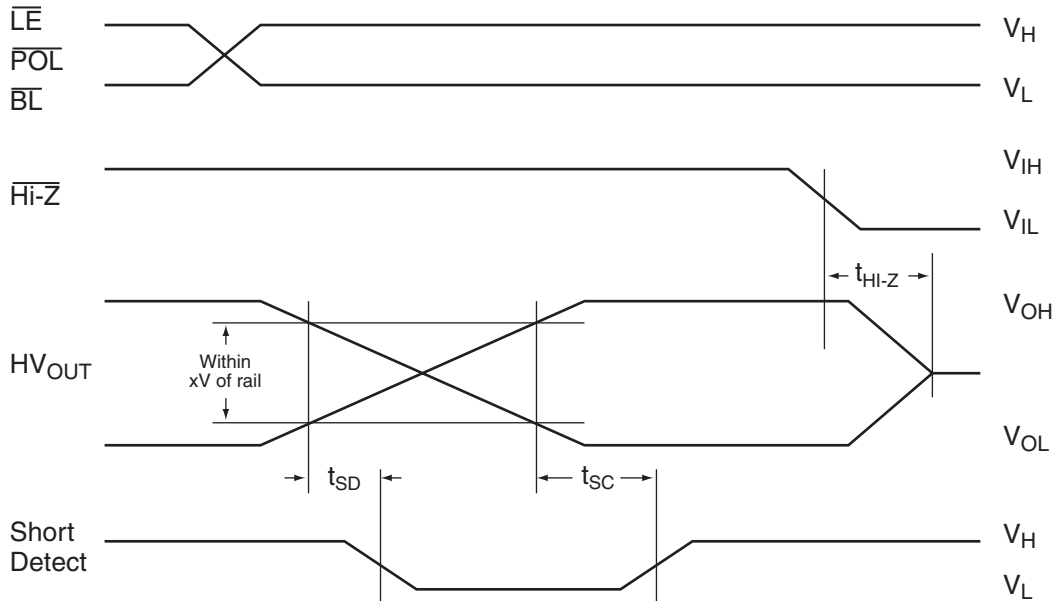
Input and Output Equivalent Circuits



Switching Waveforms



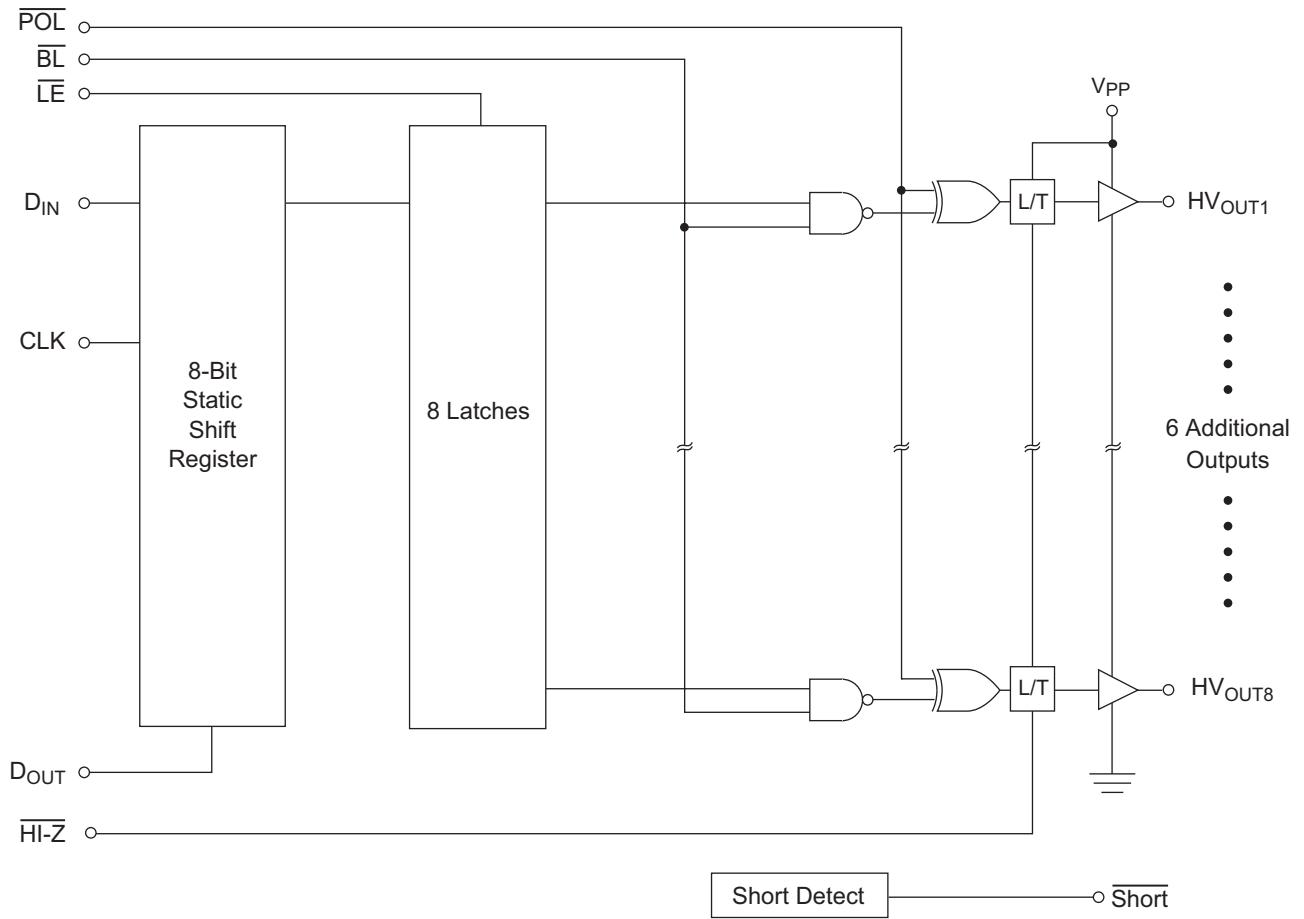
Short Circuit Detect Detail Timing (HV513)



Note: For V_{PP} greater than 150V:

- Short detect output will flag short conditions
- HV_{OUT} is higher than 10V when expected low
- HV_{OUT} is lower than V_{PP} - 100V when expected high
- Short detect output will stay clear
- HV_{OUT} is lower than 2V when expected low
- HV_{OUT} is higher than V_{PP} - 60V when expected high

Functional Block Diagram



POL, BL, LE, and HI-Z have internal 20kΩ pull-up resistors.

Function Table

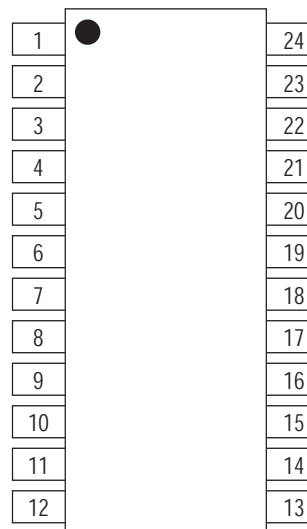
Function	Inputs						Output		
	Data	CLK	LE	BL	POL	HI-Z	Shift Reg 1 2...8	HV Outputs 1 2..8	Data Out *
All on	X	X	X	L	L	H	* *...*	H H...H	*
All off	X	X	X	L	H	H	* *...*	L L...L	*
Invert mode	X	X	L	H	L	H	* *...*	* *...* (b)	*
Load S/R	H or L		L	H	H	H	H or L *...*	* *...*	*
Store Data in latches	X	X	L	H	H	H	* *...*	* *...*	*
	X	X	L	H	L	H	* *...*	* *...* (b)	*
Transparent mode	L		H	H	H	H	L *...*	L *...*	*
	H		H	H	H	H	H *...*	H *...*	*
Outputs High-Z	X	X	X	X	X	L	* *...*	High impedance outputs	*
Outputs ON	X	X	X	X	X	H	* *...*	* *...*	*

Pin Configuration

Pin	Function
1	N/C
2	V _{DD}
3	D _{OUT}
4	$\overline{\text{BL}}$
5	$\overline{\text{POL}}$
6	CLK
7	$\overline{\text{LE}}$
8	$\overline{\text{SHORT}}$
9	$\overline{\text{HI-Z}}$
10	D _{IN}
11	LGND
12	N/C

Pin	Function
13	HVGND
14	HVGND
15	HV _{OUT1}
16	HV _{OUT2}
17	HV _{OUT3}
18	HV _{OUT4}
19	HV _{OUT5}
20	HV _{OUT6}
21	HV _{OUT7}
22	HV _{OUT8}
23	V _{PP}
24	V _{PP}

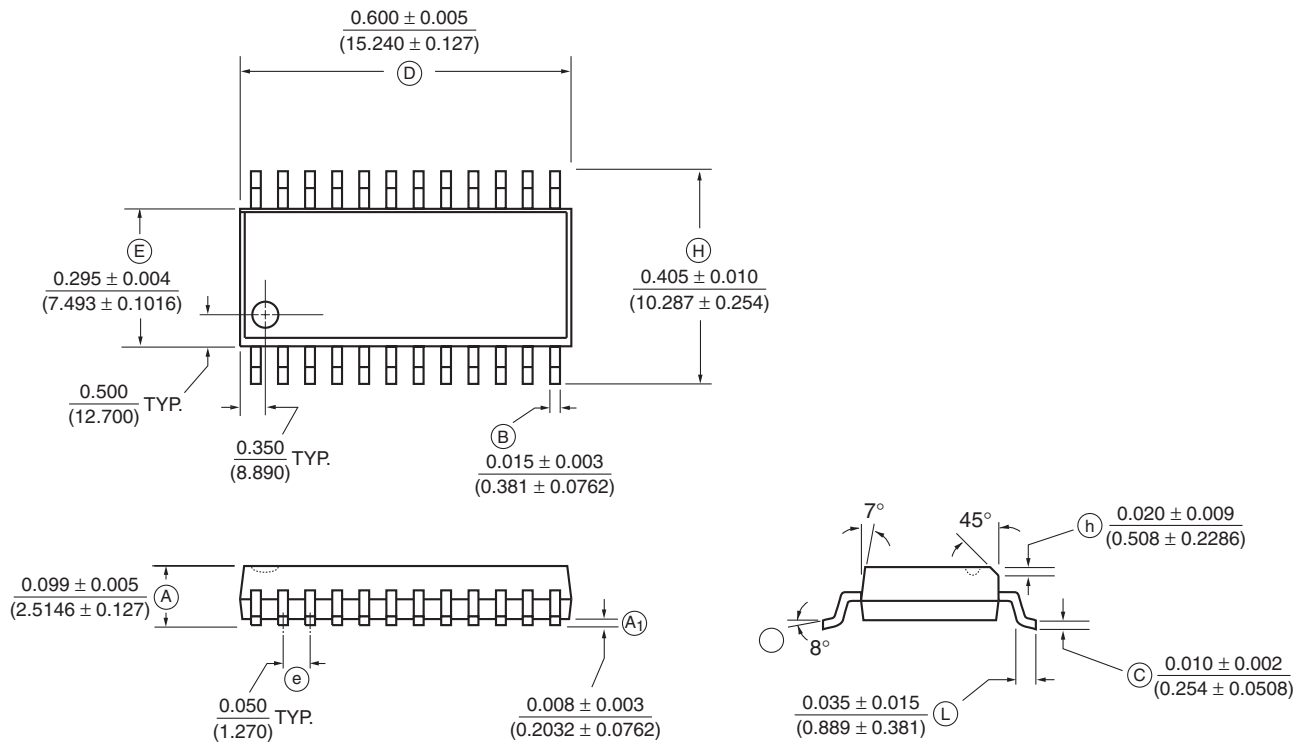
Package Outline



24-Lead SOW Package (WG)
(Wide Body)

Supertex inc. does not recommend the use of its products in life support applications and will not knowingly sell its products for use in such applications unless it receives an adequate "products liability indemnification insurance agreement". **Supertex** does not assume responsibility for use of devices described and limits its liability to the replacement of the devices determined defective due to workmanship. No responsibility is assumed for possible omissions or inaccuracies. Circuitry and specifications are subject to change without notice. For the latest product specifications, refer to the **Supertex** website: <http://www.supertex.com>. For complete liability information on all **Supertex** products, refer to the most current databook or to the Legal/ Disclaimer page on the **Supertex** website.

24-LEAD SOW PACKAGE (WG) (WIDE BODY)



Note: Circle (e.g. (B)) indicates JEDEC Reference.

Measurement Legend = $\frac{\text{Dimensions in Inches}}{\text{(Dimensions in Millimeters)}}$