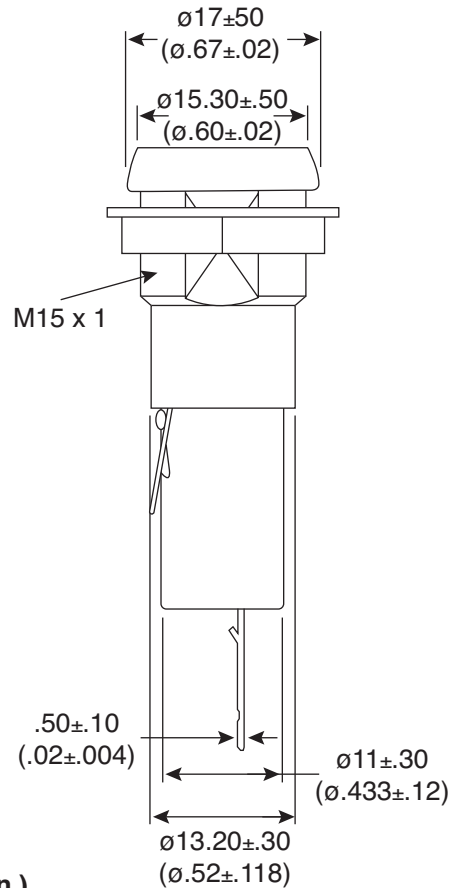
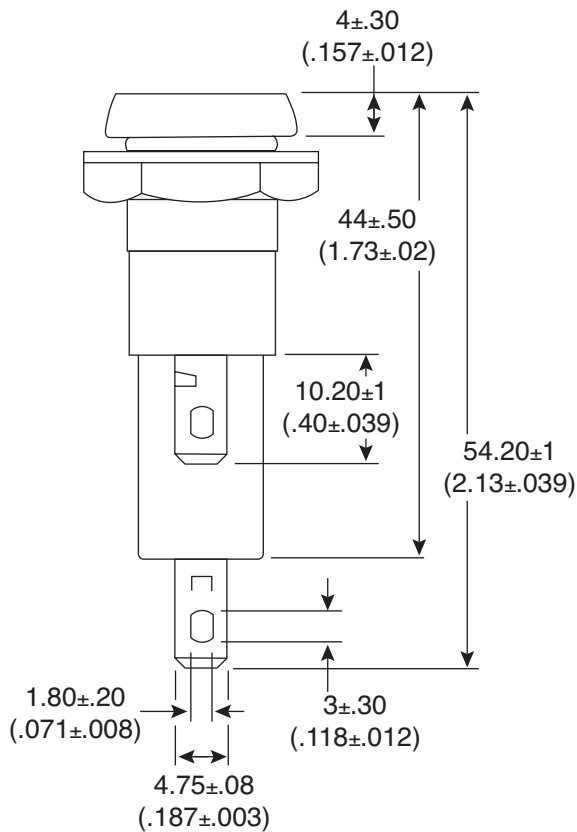
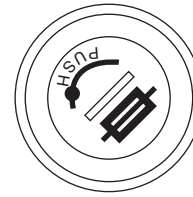
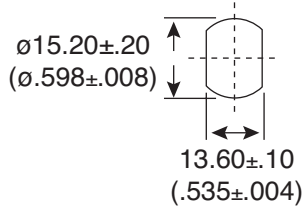


Date Last Revised: 3-5-07



Dimensions: mm (in.)

SPECIFICATIONS	
Rating:	15A/250V AC
Insulation Resistance:	500VDC 100M OHM Min.
Dielectric Strength:	1500VAC for 1 minute
Body:	Phenolic
Cap:	PBT
RoHS Compliant	

Available from Mouser Electronics
1-800-346-6873 / www.mouser.com

EPD-200529

Specifications are subject to change without notice. No liability or warranty implied by this information. Environmental compliance based on producer documentation.