

MEGA® Fuse Rated 32V

RoHS


Specifications

Interrupting Rating: 2000A @ 32 VDC
Voltage Rating: 32 VDC
Operating Temperature Range: -40°C to + 125°C
Terminals: Copper (Ag available)
 M6 or M8 bolts available
Mounting Torque: 8-14 Nm M6
 12-18 Nm M8

Packaging:

Series Serien	Pack Size
0298xxx.TXN	10
0298xxx.ZXH	500
0298xxx.ZXEh	500

The MEGA® Fuse is designed for high current circuit protection up to 500A with "Diffusion Pill Technology." The MEGA® Fuse also provides time delay characteristics. Designed and patented by Littelfuse, the MEGA® Fuse is ideal for battery and alternator protection application and other heavy gauge cables requiring ultra-high current protection.

Die von Littelfuse entwickelte und patentierte MEGA®-Sicherung in Diffusionspillen-Technologie mit träger Charakteristik ist für Überstrom-Schutzlösungen von bis zu 500A konzipiert. Sie eignet sich ideal für Batterie- und Generator-Schutzanwendungen oder andere Bereiche mit sehr großen Kabelquerschnitten, die extrem hohe Anforderungen an den Überstromschutz stellen.

Time-Current Characteristics / Schmelzzeit-Grenzwerte

% of Rating % des Nennstromes	Opening Time Min / Max (s) Schmelzcharakteristik Min / Max (s)	
	40-250	300-500
75	- / -	14,400 s / -
100	14,400 s / -	- / -
135	120 s / 1800 s	- / -
200	1 s / 15 s	1 s / 15 s
350	0.300 s / 5 s	0.300 s / 5 s
500	- / -	0.100 s / 2 s
600	0.100 s / 1 s	- / -

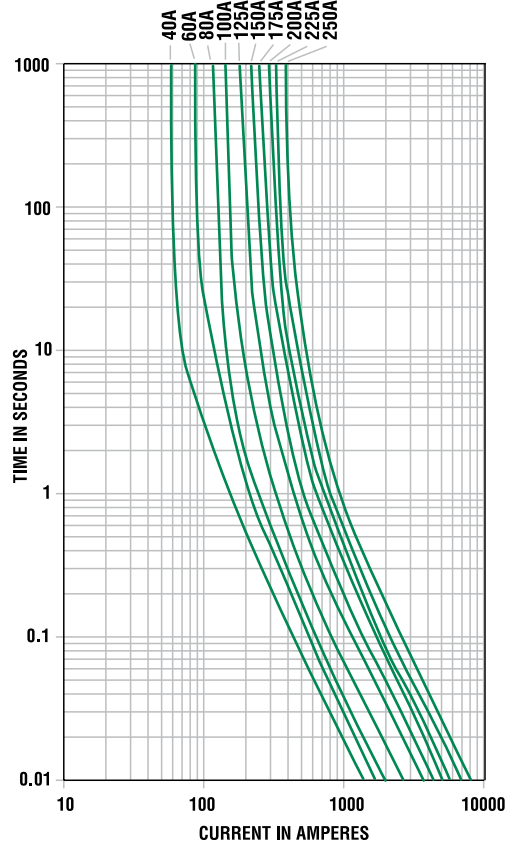
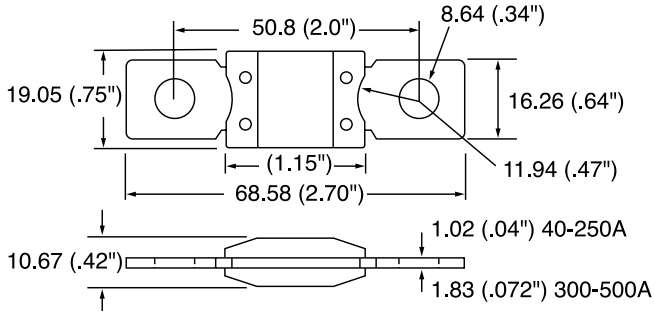
Part Number Artikel-Nr.	Current Rating Nennstrom	Color Kennfarbe	Typ. Voltage Drop Typ. Spannungsfall	Cold Resistance Kaltwiderstand	I ² t
0298040_	40 A	-	132 mV	2.510 mΩ	-
0298060_	60 A	-	119 mV	1.504 mΩ	-
0298080_	80 A	Red	87 mV	0.720 mΩ	-
0298100_	100 A	Yellow	87 mV	0.562 mΩ	31100 A ² s
0298125_	125 A	Green	80 mV	0.423 mΩ	57800 A ² s
0298150_	150 A	Orange	92 mV	0.352 mΩ	100000 A ² s
0298175_	175 A	White	86 mV	0.294 mΩ	168000 A ² s
0298200_	200 A	Blue	83 mV	0.257 mΩ	204000 A ² s
0298225_	225 A	Brown	82 mV	0.222 mΩ	257000 A ² s
0298250_	250 A	Pink	82 mV	0.201 mΩ	389000 A ² s
0298300_*	300 A	Grey	74 mV**	0.167 mΩ	-
0298350_*	350 A	Dark Green	68 mV**	0.138 mΩ	-
0298400_*	400 A	Purple	64 mV**	0.126 mΩ	-
0298450_*	450 A	Light Yellow	60 mV**	0.112 mΩ	-
0298500_*	500 A	Brown	58 mV**	0.092 mΩ	-

* Parts with asterik are short circuit protectors only.
Corresponding holder = 2981000.

** Voltage Drop measurements for short circuit protectors taken at 75% of rated current.

MEGA® Fuse Rated 32V

Dimensions in mm / Maße in mm



MEGA Fuse Series Temperature Rerating Curve



Bolt-down Fuses