

## Low-Voltage Single Asymmetrical SPDT Analog Switch

### FEATURES

- Low Voltage Operation (2.7 V to 5.5 V)
- Low On-Resistance -  $r_{ON}$ 
  - NO = 0.8  $\Omega$
  - NC = 1.2  $\Omega$
- Low Power Consumption
- TTL/CMOS Compatible
- TSOP-6 Package

### BENEFITS

- Reduced Power Consumption
- Simple Logic Interface
- High Accuracy
- Reduce Board Space

### APPLICATIONS

- Cellular Phones
- Communication Systems
- Portable Test Equipment
- Battery Operated Systems

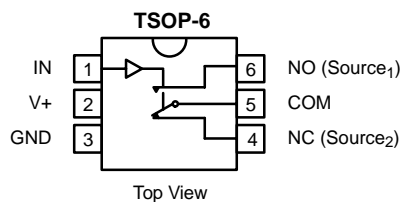
### DESCRIPTION

The DG2020 is a single-pole/double-throw monolithic CMOS analog switch designed for high performance switching of analog signals. Combining low power, high speed, low on-resistance and small physical size, the DG2020 is ideal for portable and battery powered applications requiring high performance and efficient use of board space.

The DG2020 is built on Vishay Siliconix's low voltage J12 process. An epitaxial layer prevents latchup. Break-before-make is guaranteed.

The switch conducts equally well in both directions when on, and blocks up to the power supply level when off.

### FUNCTIONAL BLOCK DIAGRAM AND PIN CONFIGURATION



Device Marking: E3xxx

#### TRUTH TABLE

Logic	NC	NO
0	ON	OFF
1	OFF	ON

#### ORDERING INFORMATION

Temp Range	Package	Part Number
-40 to 85°C	TSOP-6	DG2020DV

**ABSOLUTE MAXIMUM RATINGS**

Reference to GND

V+	-0.3 to +6 V
IN, COM, NC, NO <sup>a</sup>	-0.3 to (V+ + 0.3 V)
Continuous Current (Any terminal)	±50 mA
Peak Current (Pulsed at 1 ms, 10% duty cycle)	±200 mA
Storage Temperature (D Suffix)	-65 to 125°C

Power Dissipation (Packages)<sup>b</sup>

TSOP-6 <sup>c</sup>	570 mW
---------------------	--------

- Notes:
- Signals on NC, NO, or COM or IN exceeding V+ will be clamped by internal diodes. Limit forward diode current to maximum current ratings.
  - All leads welded or soldered to PC Board.
  - Derate 7.0 mW/°C above 25°C

SPECIFICATIONS (V+ = 3 V)							
Parameter	Symbol	Test Conditions Otherwise Unless Specified V+ = 3 V, ±10%, V <sub>IN</sub> = 0.4 or 2.0 V <sup>e</sup>	Temp <sup>a</sup>	Limits -40 to 85°C			Unit
				Min <sup>b</sup>	Typ <sup>c</sup>	Max <sup>b</sup>	
<b>Analog Switch</b>							
Analog Signal Range <sup>d</sup>	V <sub>NO</sub> , V <sub>NC</sub> , V <sub>COM</sub>		Full	0		V+	V
On-Resistance	r <sub>ON(NO)</sub>	V+ = 2.7 V, V <sub>COM</sub> = 1.5 V, I <sub>NO</sub> , I <sub>NC</sub> = 100 mA	Room		1.4	2.0	Ω
	r <sub>ON(NC)</sub>		Full		1.5	2.1	
r <sub>ON</sub> Flatness <sup>d</sup>	r <sub>ON(NO) Flatness</sub>	V+ = 2.7 V V <sub>COM</sub> = 0 to V+, I <sub>NO</sub> , I <sub>NC</sub> = 100 mA	Room		0.42		
Switch Off Leakage Current <sup>f</sup>	I <sub>NO(off)</sub> , I <sub>NC(off)</sub>	V+ = 3.3 V, V <sub>NO</sub> , V <sub>NC</sub> = 1 V/3 V V <sub>COM</sub> = 3 V/1 V	Room	-2.3		2.3	nA
	I <sub>COM(off)</sub>		Full	-60		60	
Channel-On Leakage Current <sup>f</sup>	I <sub>COM(on)</sub>	V+ = 3.3 V, V <sub>NO</sub> , V <sub>NC</sub> = V <sub>COM</sub> = 1 V/3 V	Room	-2.3		2.3	
			Full	-60		60	
<b>Digital Control</b>							
Input High Voltage	V <sub>INH</sub>		Full	2			V
Input Low Voltage	V <sub>INL</sub>		Full			0.4	
Input Capacitance	C <sub>in</sub>		Full		3.7		pF
Input Current	I <sub>INL</sub> or I <sub>INH</sub>	V <sub>IN</sub> = 0 or V+	Full	1		1	μA
<b>Dynamic Characteristics</b>							
Turn-On Time	t <sub>ON(NO)</sub>	V <sub>NO</sub> or V <sub>NC</sub> = 2.0 V, R <sub>L</sub> = 300 Ω, C <sub>L</sub> = 35 pF	Room		6	10	μs
	t <sub>ON(NC)</sub>		Full		5	7	
Turn-Off Time	t <sub>OFF(NO)</sub>		Room		2	5	
	t <sub>OFF(NC)</sub>		Full		2	4	
Break-Before-Make Time	t <sub>d</sub>	V <sub>NO</sub> or V <sub>NC</sub> = 2.0 V, R <sub>L</sub> = 300 Ω, C <sub>L</sub> = 35 pF	Full	1	3		
Charge Injection <sup>d</sup>	Q <sub>INJ</sub>	C <sub>L</sub> = 1 nF, V <sub>GEN</sub> = 0 V, R <sub>GEN</sub> = 0 Ω	Room		1		pC
Off-Isolation <sup>d</sup>	OIRR	R <sub>L</sub> = 50 Ω, C <sub>L</sub> = 5 pF, f = 1 MHz	Room		-52		dB
Crosstalk <sup>d</sup>	X <sub>TALK</sub>		Room		-53		
N <sub>O</sub> , N <sub>C</sub> Off Capacitance <sup>d</sup>	C <sub>NO(off)</sub>	V <sub>IN</sub> = 0 or V+, f = 1 MHz	Room		75		pF
	C <sub>NC(off)</sub>		Room		34		
Channel-On Capacitance <sup>d</sup>	C <sub>NO(on)</sub>		Room		88		
	C <sub>NC(on)</sub>		Room		95		
<b>Power Supply</b>							
Power Supply Range	V+			2.7		3.3	V
Power Supply Current	I+	V <sub>IN</sub> = 0 or V+	Full		0.2	1.0	μA
Power Consumption	P <sub>C</sub>		Full			3.3	μW



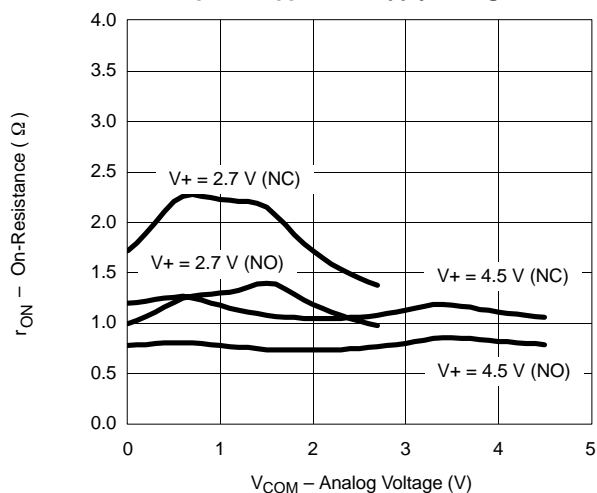
SPECIFICATIONS (V+ = 5 V)							
Parameter	Symbol	Test Conditions Otherwise Unless Specified V+ = 5 V, ±10%, VIN = 0.8 or 2.4 V <sup>e</sup>	Temp <sup>a</sup>	Limits −40 to 85°C			Unit
				Min <sup>b</sup>	Typ <sup>c</sup>	Max <sup>b</sup>	
<b>Analog Switch</b>							
Analog Signal Range <sup>d</sup>	V <sub>NO</sub> , V <sub>NC</sub> , V <sub>COM</sub>		Full	0		V+	V
On-Resistance	r <sub>ON</sub> (NO)	V+ = 4.5 V, V <sub>COM</sub> = 3 V, I <sub>NO</sub> , I <sub>NC</sub> = 100 mA	Room		0.8	1.1	Ω
	r <sub>ON</sub> (NC)		Full		0.9	1.2	
r <sub>ON</sub> Flatness <sup>d</sup>	r <sub>ON</sub> (NO) Flatness	V+ = 4.5 V, V <sub>COM</sub> = 0 to V+, I <sub>NO</sub> , I <sub>NC</sub> = 100 mA	Room		0.13		
Switch Off Leakage Current	I <sub>NO</sub> (off), I <sub>NC</sub> (off)	V+ = 5.5 V V <sub>NO</sub> , V <sub>NC</sub> = 1 V/4.5 V, V <sub>COM</sub> = 4.5 V/1 V	Room	−5.3		5.3	nA
	I <sub>COM</sub> (off)		Full	−98		98	
Channel-On Leakage Current	I <sub>COM</sub> (on)	V+ = 5.5 V, V <sub>NO</sub> , V <sub>NC</sub> = V <sub>COM</sub> = 1 V/4.5 V	Room	−5.3		5.3	
			Full	−98		98	
<b>Digital Control</b>							
Input High Voltage	V <sub>INH</sub>		Full	2.4			V
Input Low Voltage	V <sub>INL</sub>		Full			0.8	
Input Capacitance	C <sub>in</sub>		Full		3.5		pF
Input Current	I <sub>INL</sub> or I <sub>INH</sub>	V <sub>IN</sub> = 0 or V+	Full	1		1	μA
<b>Dynamic Characteristics</b>							
Turn-On Time	t <sub>ON</sub> (NO)	V <sub>NO</sub> or V <sub>NC</sub> = 3 V, R <sub>L</sub> = 300 Ω, C <sub>L</sub> = 35 pF	Room		3	6	μs
	t <sub>ON</sub> (NC)		Full			6.5	
Turn-Off Time	t <sub>OFF</sub> (NO)		Room		2	5	
	t <sub>OFF</sub> (NC)		Full		1	4	
Break-Before-Make Time	t <sub>d</sub>	V <sub>NO</sub> or V <sub>NC</sub> = 3 V, R <sub>L</sub> = 300 Ω, C <sub>L</sub> = 35 pF	Full	0.3	1.5		
Charge Injection <sup>d</sup>	Q <sub>INJ</sub>	C <sub>L</sub> = 1 nF, V <sub>GEN</sub> = 0 V, R <sub>GEN</sub> = 0 Ω	Room		5		pC
Off-Isolation <sup>d</sup>	OIRR	R <sub>L</sub> = 50 Ω, C <sub>L</sub> = 5 pF, f = 1 MHz	Room		−53		dB
Crosstalk <sup>d</sup>	X <sub>TALK</sub>		Room		−54		
Source-Off Capacitance <sup>d</sup>	C <sub>NO</sub> (off)	V <sub>IN</sub> = 0 or V+, f = 1 MHz	Room		65		pF
	C <sub>NC</sub> (off)		Room		32		
Channel-On Capacitance <sup>d</sup>	C <sub>NO</sub> (on)		Room		90		
	C <sub>NC</sub> (on)		Room		95		
<b>Power Supply</b>							
Power Supply Range	V+			4.5		5.5	V
Power Supply Current	I+	V <sub>IN</sub> = 0 or V+	Full		0.2	1.0	μA
Power Consumption	P <sub>C</sub>		Full			5.5	μW

Notes:

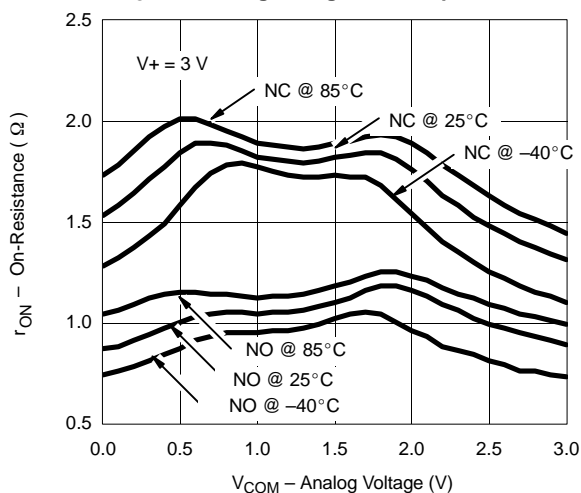
- Room = 25°C, Full = as determined by the operating suffix.
- Typical values are for design aid only, not guaranteed nor subject to production testing.
- The algebraic convention whereby the most negative value is a minimum and the most positive a maximum, is used in this data sheet.
- Guarantee by design, nor subjected to production test.
- V<sub>IN</sub> = input voltage to perform proper function.
- Guaranteed by 5-V leakage testing, not production tested.

**TYPICAL CHARACTERISTICS (25 °C UNLESS NOTED)**

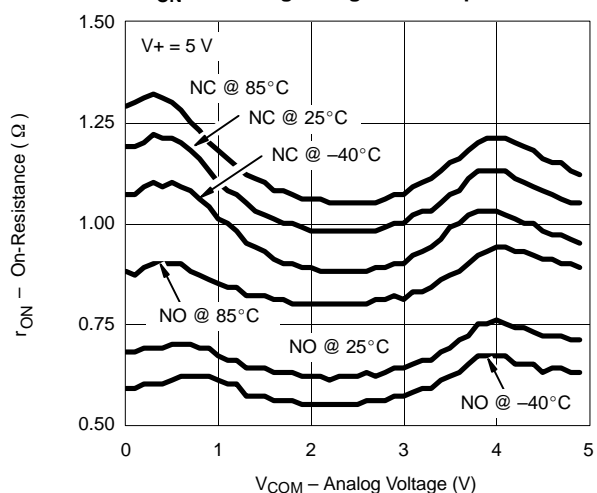
**$r_{ON}$  vs.  $V_{COM}$  and Supply Voltage**



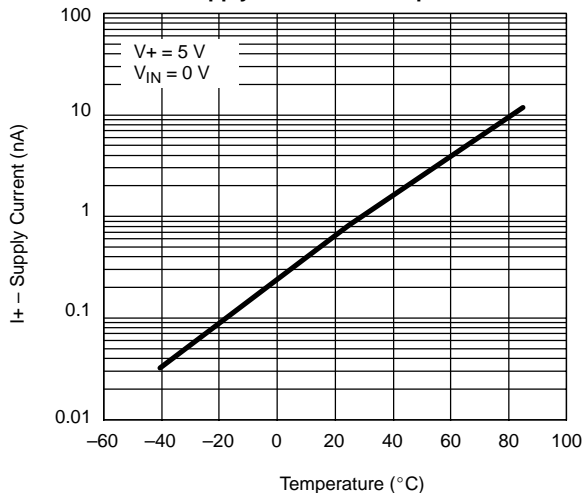
**$r_{ON}$  vs. Analog Voltage and Temperature**



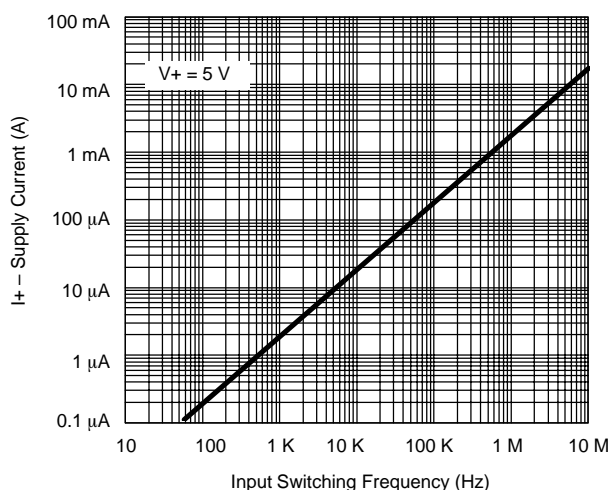
**$r_{ON}$  vs. Analog Voltage and Temperature**



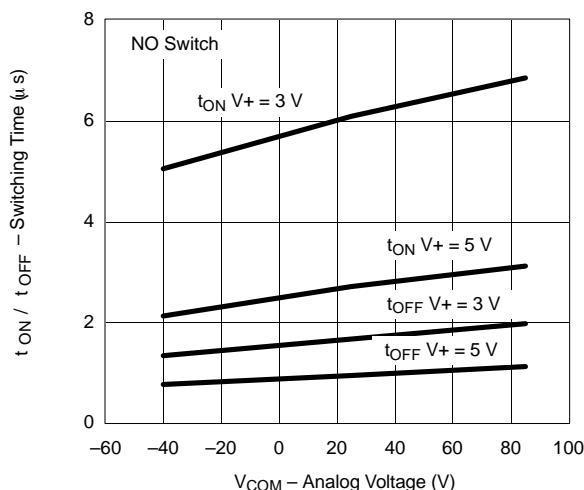
**Supply Current vs. Temperature**



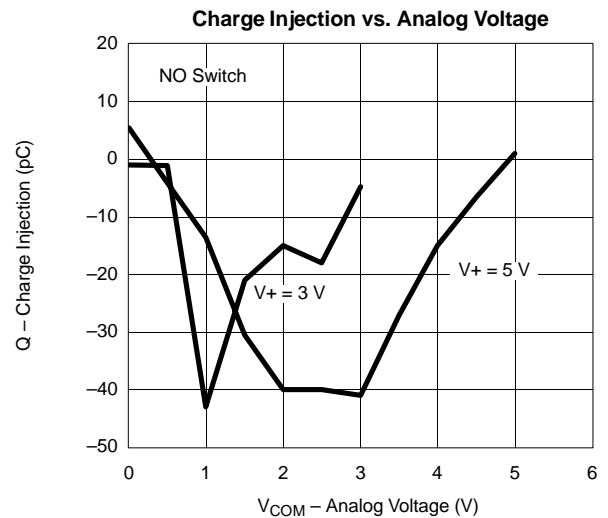
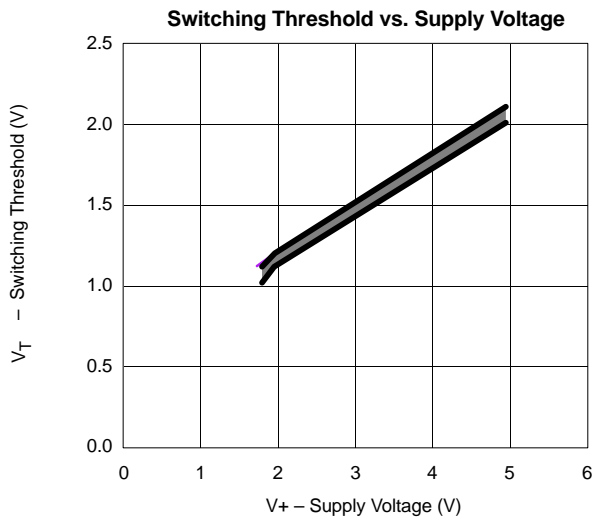
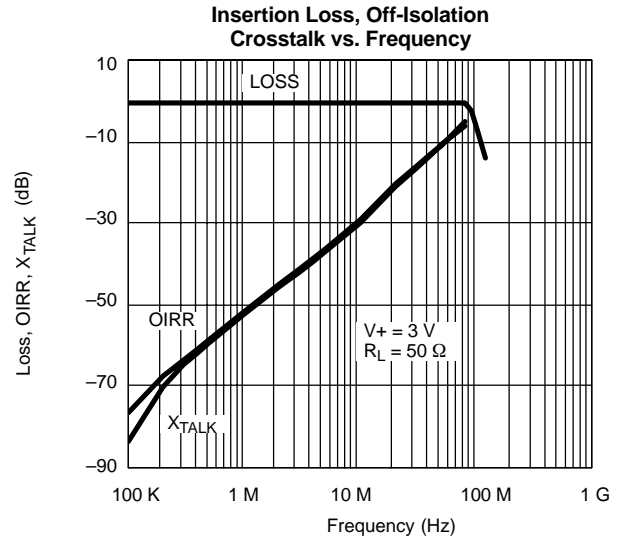
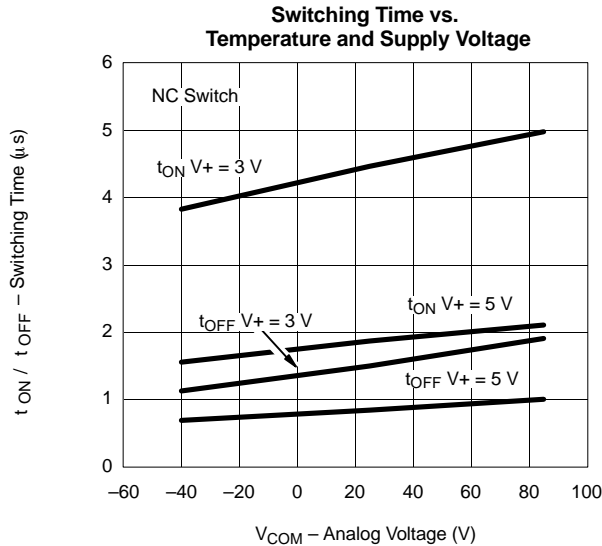
**Supply Current vs. Input Switching Frequency**



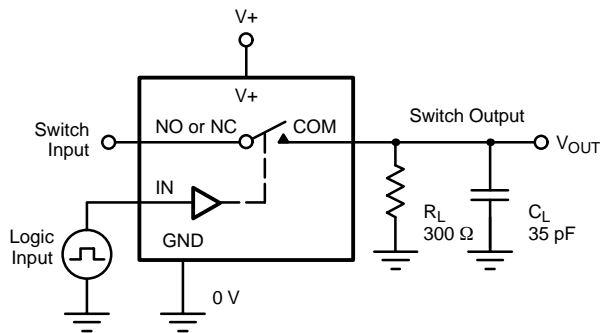
**Switching Time vs. Temperature and Supply Voltage**



**TYPICAL CHARACTERISTICS (25 °C UNLESS NOTED)**

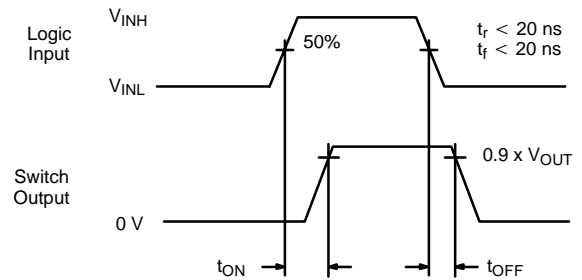


**TEST CIRCUITS**



$C_L$  (includes fixture and stray capacitance)

$$V_{OUT} = V_{COM} \left( \frac{R_L}{R_L + R_{ON}} \right)$$



Logic "1" = Switch On  
Logic input waveforms inverted for switches that have the opposite logic sense.

**FIGURE 1. Switching Time**





## Disclaimer

All product specifications and data are subject to change without notice.

Vishay Intertechnology, Inc., its affiliates, agents, and employees, and all persons acting on its or their behalf (collectively, "Vishay"), disclaim any and all liability for any errors, inaccuracies or incompleteness contained herein or in any other disclosure relating to any product.

Vishay disclaims any and all liability arising out of the use or application of any product described herein or of any information provided herein to the maximum extent permitted by law. The product specifications do not expand or otherwise modify Vishay's terms and conditions of purchase, including but not limited to the warranty expressed therein, which apply to these products.

No license, express or implied, by estoppel or otherwise, to any intellectual property rights is granted by this document or by any conduct of Vishay.

The products shown herein are not designed for use in medical, life-saving, or life-sustaining applications unless otherwise expressly indicated. Customers using or selling Vishay products not expressly indicated for use in such applications do so entirely at their own risk and agree to fully indemnify Vishay for any damages arising or resulting from such use or sale. Please contact authorized Vishay personnel to obtain written terms and conditions regarding products designed for such applications.

Product names and markings noted herein may be trademarks of their respective owners.