

## High Side Current Monitor

### 8.0 to 450V, Voltage Gain of 1

#### Features

- ▶ Supply voltage 8.0 to 450V
- ▶ Voltage output device
- ▶ Typical gain  $1 \pm 1\%$
- ▶ Max  $V_{\text{SENSE}}$  500mV
- ▶ Fast rise and fall times, 700ns to 2.0 $\mu$ s
- ▶ Maximum quiescent current 50 $\mu$ A
- ▶ 5-Lead SOT-23 Package

#### Applications

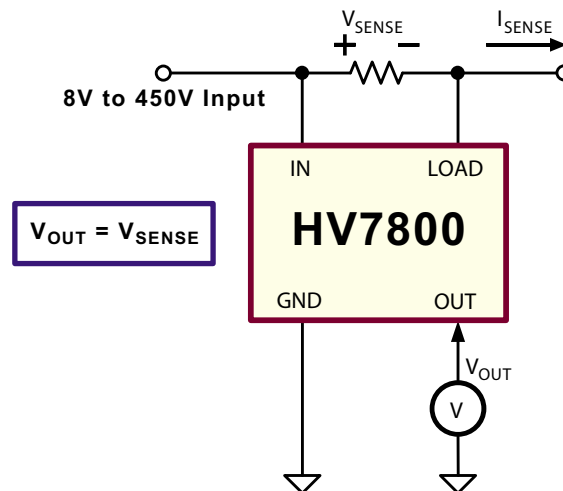
- ▶ SMPS current monitor
- ▶ Battery current monitor
- ▶ Motor controls
- ▶ Telecom

#### General Description

The HV7800 high side current monitor IC transfers a high-side current measurement voltage to its ground referenced output with an accurate voltage gain of one. The measurement voltage typically originates at a current sense resistor which is located in a "high side" circuit, such as the positive supply line.

This monitor IC features a very wide input voltage range, high accuracy of transfer ratio, small size, low component count, low power consumption, ease of use, and low cost. Offline, battery and portable applications can be served equally well due to the wide input voltage range and the low quiescent current of the HV7800.

#### Typical Application Circuit



## Ordering Information

Device	Package Option
	5-Lead SOT-23
HV7800	HV7800K1-G

-G indicates package is RoHS compliant ('Green')



## Absolute Maximum Ratings

Parameter	Value
$V_{IN}, V_{LOAD}^1$	-0.5V to +450V
$V_{OUT}^1$	-0.5V to +10V
$V_{SENSE}^2$	-0.5V to +5.0V
$I_{LOAD}$	±10mA
Operating ambient temperature	-40°C to +85°C
Operating junction temperature	-40°C to +125°C
Storage temperature	-65°C to +150°C

Absolute maximum ratings are those values beyond which damage to the device may occur. Functional operation under these conditions is not implied. Continuous operation of the device at the absolute rating level may affect device reliability. All voltages are referenced to device ground.

### Notes:

1. Referenced to GND
2.  $V_{SENSE} = V_{IN} - V_{LOAD}$

## Electrical Characteristics ( $T_A = 25^\circ\text{C}$ unless otherwise specified)

Sym	Parameter	Min	Typ	Max	Units	Conditions
-----	-----------	-----	-----	-----	-------	------------

### Supply

$V_{IN}$	Supply voltage	8.0	-	450	V	* ---
$I_Q$	Quiescent supply current	-	-	50	µA	- $V_{IN} = 8.0\text{V to } 450\text{V}, V_{SENSE} = 0\text{mV}$

### Input and Output

$R_{OUT}$	OUT pin output resistance	-	3.6	-	kΩ	- ---
$V_{OUT}$	Output voltage	0	-	15	mV	- $V_{SENSE} = 0\text{mV}$
		79	-	121		- $V_{SENSE} = 100\text{mV}$
		177	-	223		- $V_{SENSE} = 200\text{mV}$
		470	-	530		- $V_{SENSE} = 500\text{mV}$

### Dynamic Characteristics

$t_{RISE}$	Output rise time, 10% to 90%	-	0.7	-	µs	- $V_{SENSE}$ step 5.0mV to 500mV
		-	-	2.0		- $V_{SENSE}$ step 0mV to 500mV
$t_{FALL}$	Output fall time, 90% to 10%	-	0.7	2.0	µs	- $V_{SENSE}$ step 500mV to 0mV

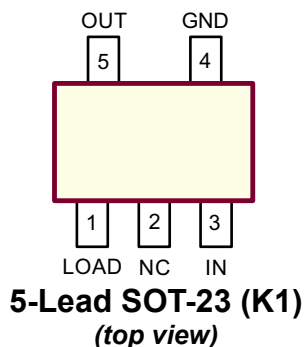
Values of parameters marked with a \* apply over the full temperature range

## Thermal Resistance

Package	$\theta_{ja}$
5-Lead SOT-23	191 °C/W

Note: Thermal testboard per JEDEC JESD51-7

## Pin Configuration



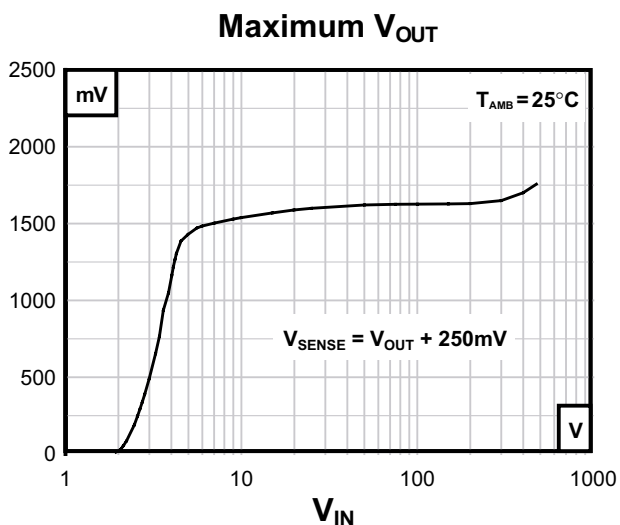
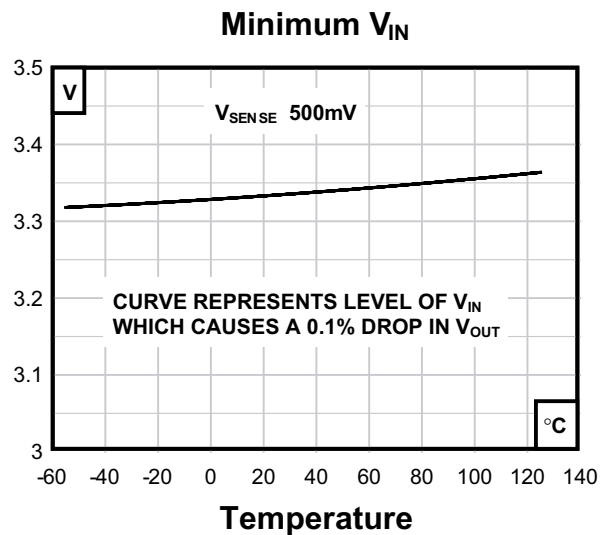
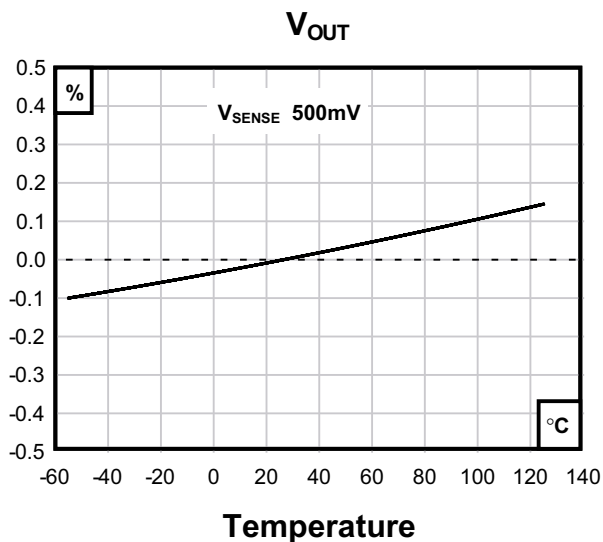
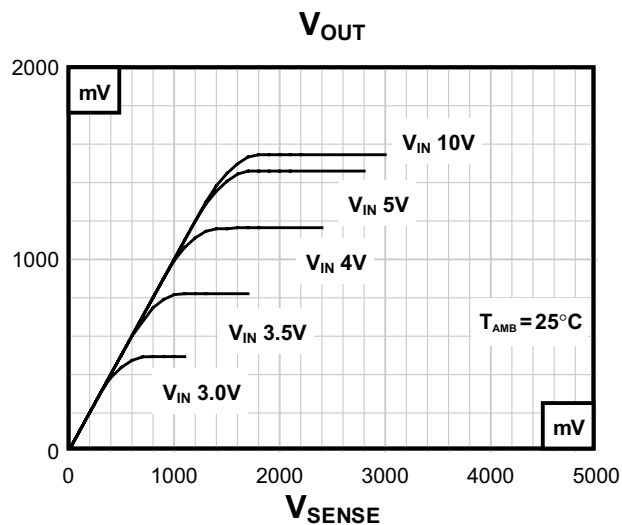
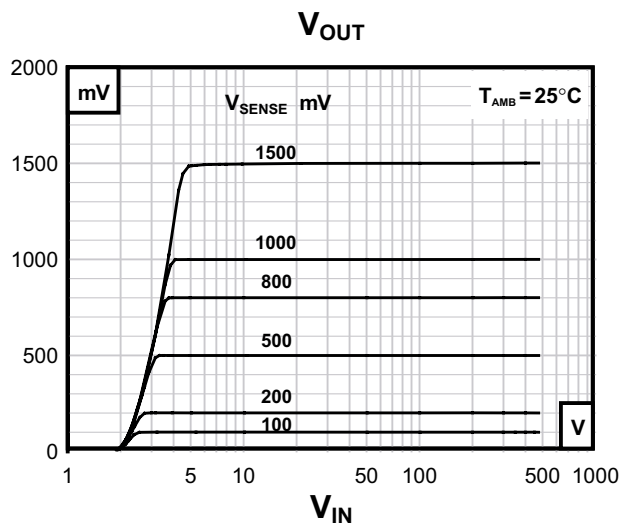
## Product Marking



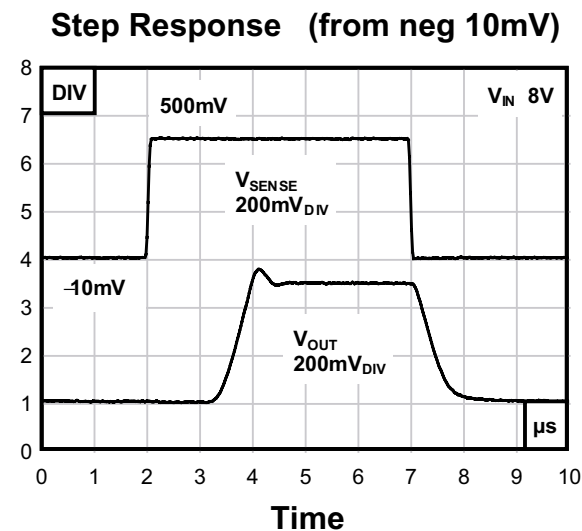
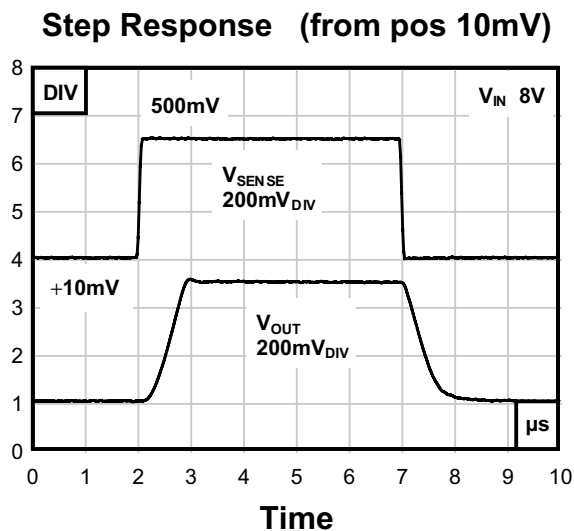
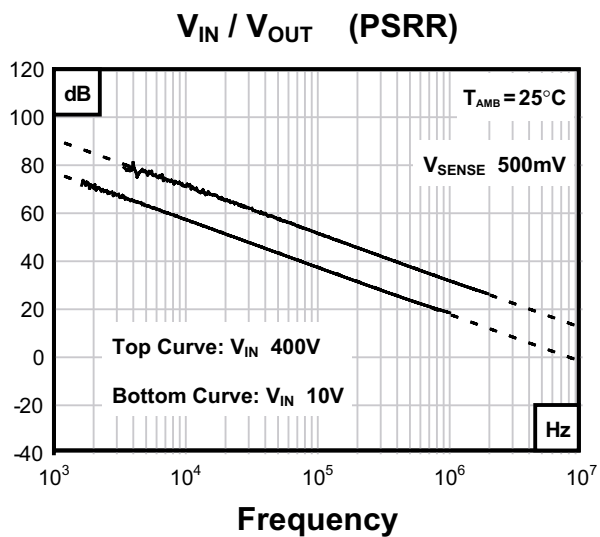
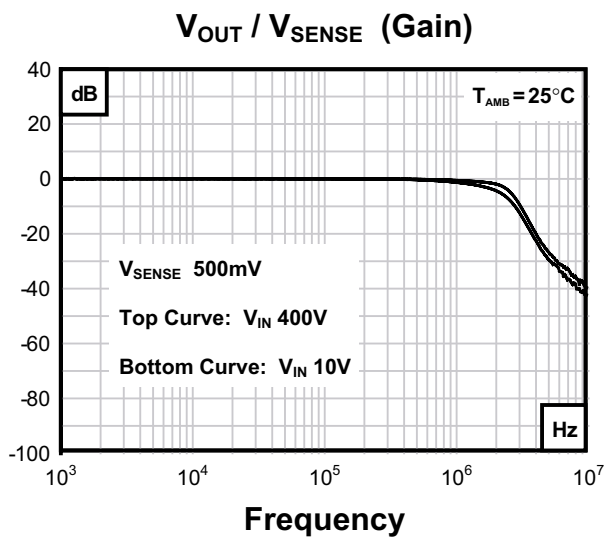
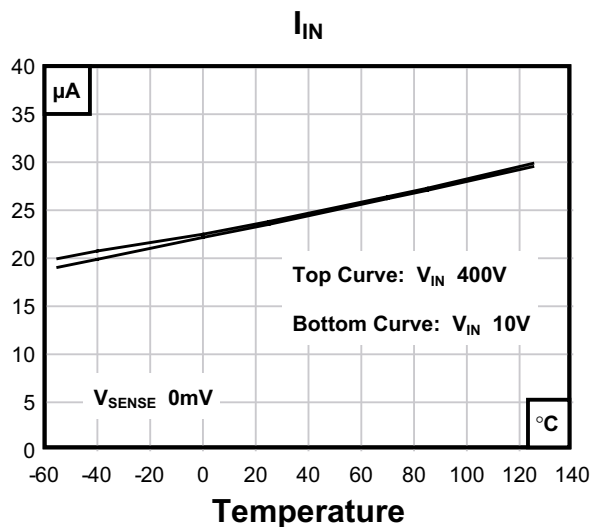
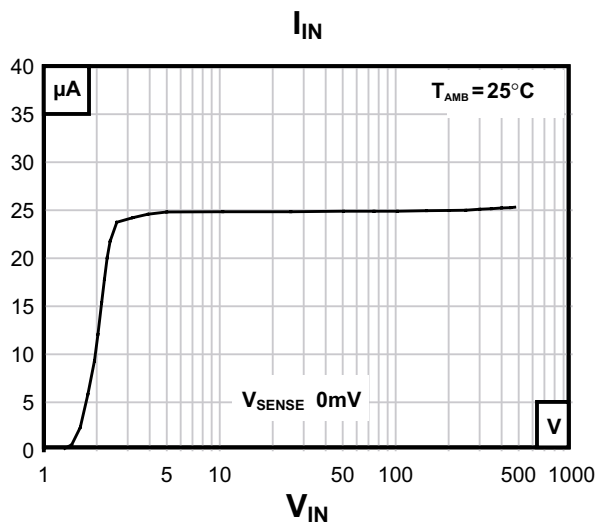
Y = Last Digit of Year Sealed  
W = Code for Week Sealed  
— = "Green" Packaging

### 5-Lead SOT-23 (K1)

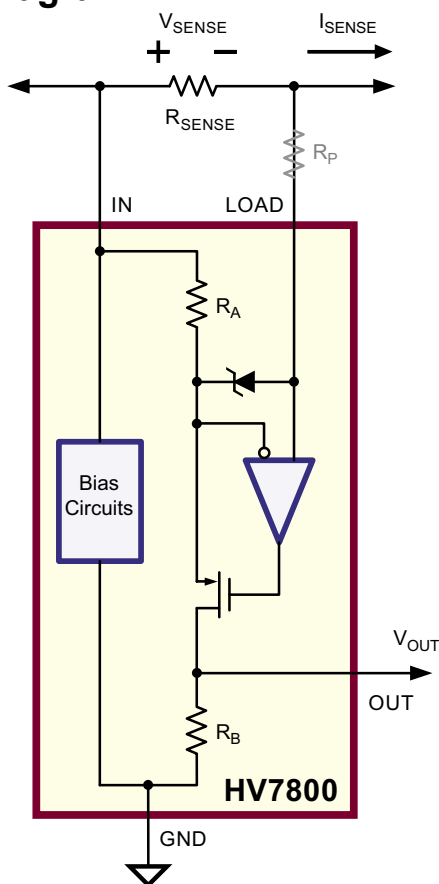
Typical Performance Characteristics



Typical Performance Characteristics (cont.)



## Block Diagram



## Application Information

### General

The HV7800 high side current monitor IC features accurate current sensing, small size, low component count, low power consumption, exceptional input voltage range, ease of use and low cost.

The part typically performs the measurement of line or load current for overcurrent protection, metering or current regulation.

High side current sensing, as opposed to ground referenced or low side current sensing, is desirable or required when:

- ▶ The current to be measured does not flow in a circuit associated with ground.
- ▶ The measurement at ground level can lead to ambiguity due to changes in the grounding arrangement during field use.
- ▶ Introduction of a sense resistor in the system ground is undesirable due to issues with safety, EMI, or signal degradation due to common impedance coupling.

## Principle of Operation

The operational amplifier and MOSFET forces the voltage across  $R_A$  to track  $V_{SENSE}$  within the limit of the offset voltage of the opamp, i.e.  $V_{RA} = V_{SENSE}$ .

The current through  $R_A$  returns to ground through  $R_B$ .  $R_A$  and  $R_B$  are integrated, exhibiting tight matching and excellent tracking. By design,  $R_A$  and  $R_B$  have the same resistance. Consequently,  $V_{RA}$  is equal to  $V_{RB}$ , resulting in a voltage gain of 1.

## OUT Pin Loading Effects

Note that the OUT pin has a typical output resistance of 3.6kΩ. Loading the output causes the voltage gain to drop and rise/fall times to increase.

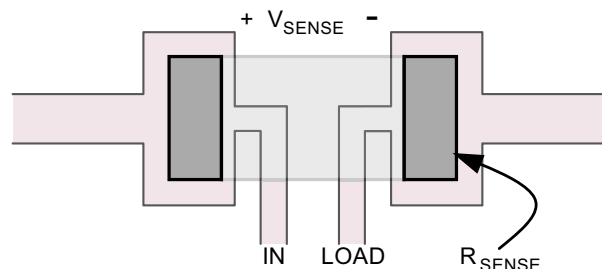
For example, assuming an output resistance of 3.6kΩ, the load resistance should exceed 3.6MΩ in order to limit the drop in gain to 1 part in 1000.

Again assuming an output resistance of 3.6kΩ, capacitive loading of 30pF results in a response pole with a time constant of 100ns, not yet high enough to materially affect the output rise and fall times (about 700ns).

## Sense Resistor Considerations

Choose a sense resistor that will not exceed 500mV during normal operating conditions. Limit the power dissipation in the sense resistor to whatever is practical; a high sense voltage benefits accuracy, but increases power dissipation.

Consider the use of Kelvin connections for applications where considerable voltage drops may occur in the PCB traces that carry the current to be measured to the sense resistor. A layout pattern that minimizes voltage across the sense lines is shown below.



Choose a low inductance type sense resistor if preservation of bandwidth is important. The use of Kelvin connections helps by excluding the inductive voltage drop across the traces leading to the sense resistor. The inductive voltage drop may be substantial when operating at high frequencies. A trace or component inductance of just 10nH contributes an impedance of 6.2mΩ at 100kHz, which constitutes a 6% error when using a 100mΩ sense resistor.

## Transient Protection

Add a protection resistor ( $R_p$ ) in series with the LOAD pin if  $V_{SENSE}$  can exceed 5.0V in a positive sense or 600mV in a negative sense, whether in a steady state or in transient conditions.

A large  $V_{SENSE}$  may occur during system startup or shutdown due to the charging and discharging of bulk storage capacitors.  $V_{SENSE}$  may be large due to fault conditions, such as a short circuit condition, or a broken or missing sense resistor.

An internal 5.0V Zener diode with a current rating of 10mA protects the sense amplifier inputs. The block diagram shows the orientation of this diode. The Zener diode provides clamping at 5.0V for a positive  $V_{SENSE}$  and at 600mV for a negative  $V_{SENSE}$ .

Under worst case conditions, limit the Zener current to 10mA. A 100k $\Omega$  resistor limits the Zener diode current to 4.5mA when  $V_{SENSE}$  is 450V, whether positive or negative. Note that the protection resistor may affect the bandwidth. The resistor forms an RC network with the trace and pin capacitance at the LOAD pin. A capacitance of 5.0pF results in a time constant of 500ns.

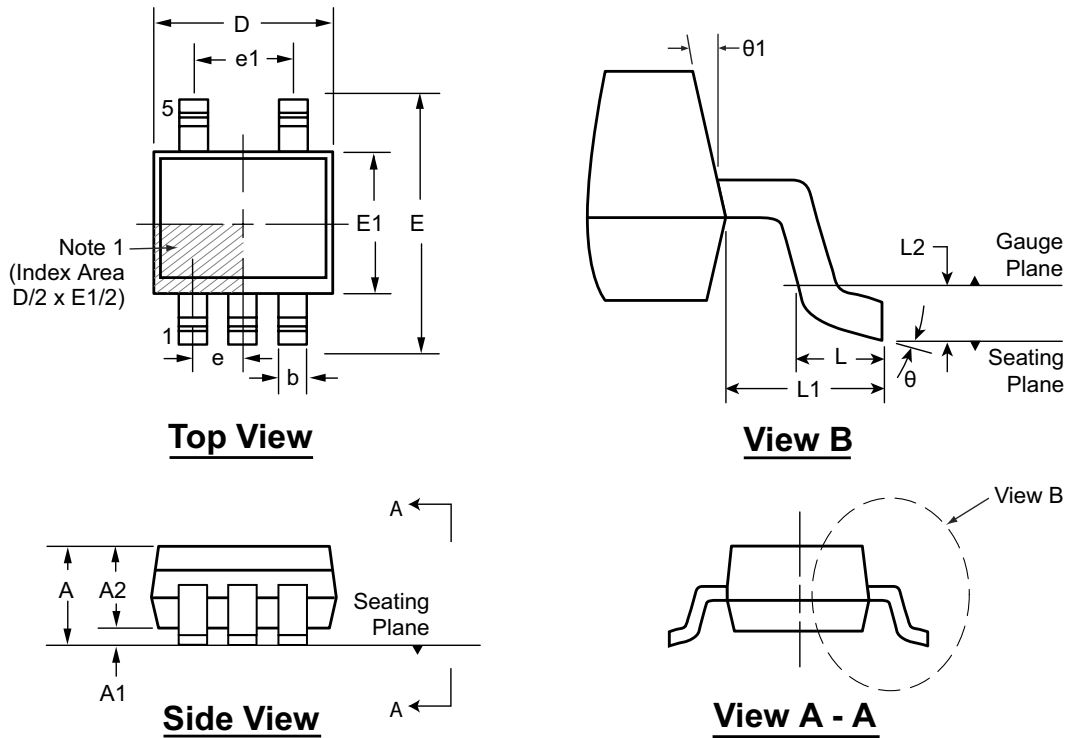
The protection resistor may cause an offset due to bias current at the LOAD input. Under worst case bias current (1.0nA), a 100k $\Omega$  protection resistor could cause an offset of 100 $\mu$ V or 0.2% full scale. Note that the bias current is nominally zero as the LOAD is a high impedance CMOS input.

## Pin Description

Pin #	Pin Name	Description
1	LOAD	Sense amplifier input. High impedance input with Zener diode protection. Add an external protection resistor in series with LOAD if $V_{SENSE}$ exceeds the range of -600mV to +5V.
2	NC	No connect. This pin must be left floating for proper operation.
3	IN	Sense amplifier input and supply.
4	GND	Supply return.
5	OUT	Output with a nominal output resistance of 3.6k $\Omega$ . Preservation of accuracy may require an external buffer amplifier to prevent excessive loading.

# 5-Lead SOT-23 Package Outline (K1)

2.90x1.60mm body, 1.45mm height (max), 0.95mm pitch



**Note:**  
 1. A Pin 1 identifier must be located in the index area indicated. The Pin 1 identifier can be: a molded mark/identifier; an embedded metal marker; or a printed indicator.

Symbol	A	A1	A2	b	D	E	E1	e	e1	L	L1	L2	$\theta$	$\theta_1$	
Dimension (mm)	MIN	0.90*	0.00	0.90	0.30	2.75*	2.60*	1.45*	0.95 BSC	1.90 BSC	0.30	0.60 REF	0.25 BSC	0°	5°
	NOM	-	-	1.15	-	2.90	2.80	1.60			0.45			4°	10°
	MAX	1.45	0.15	1.30	0.50	3.05*	3.00*	1.75*			0.60			8°	15°

JEDEC Registration MO-178, Variation AA, Issue C, Feb. 2000.  
 \* This dimension is not specified in the original JEDEC drawing. The value listed is for reference only.  
**Drawings not to scale.**  
 Supertex Doc. #: DSPD-5SOT23K1, Version NR110308.

(The package drawing(s) in this data sheet may not reflect the most current specifications. For the latest package outline information go to <http://www.supertex.com/packaging.html>.)

Supertex inc. does not recommend the use of its products in life support applications, and will not knowingly sell them for use in such applications unless it receives an adequate "product liability indemnification insurance agreement." Supertex inc. does not assume responsibility for use of devices described, and limits its liability to the replacement of the devices determined defective due to workmanship. No responsibility is assumed for possible omissions and inaccuracies. Circuitry and specifications are subject to change without notice. For the latest product specifications refer to the Supertex inc. website: <http://www.supertex.com>.