

Wideband/Video “T” Switches

FEATURES

- Wide Bandwidth: 500 MHz
- Low Crosstalk: -85 dB
- High Off-Isolation: -80 dB @ 5 MHz
- “T” Switch Configuration
- TTL and CMOS Logic Compatible
- Fast Switching— t_{ON} : 45 ns
- Low $r_{DS(on)}$: 30Ω

BENEFITS

- Flat Frequency Response
- High Color Fidelity
- Low Insertion Loss
- Improved System Performance
- Reduced Board Space
- Reduced Power Consumption
- Improved Data Throughput

APPLICATIONS

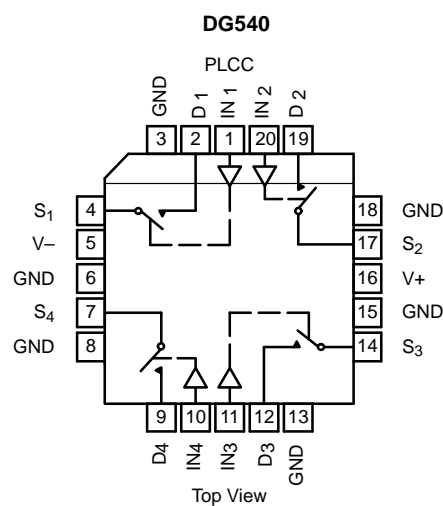
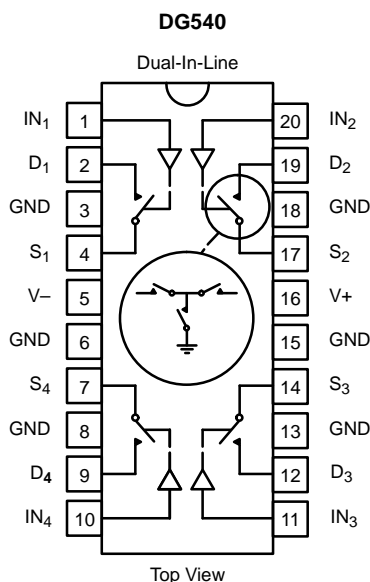
- RF and Video Switching
- RGB Switching
- Local and Wide Area Networks
- Video Routing
- Fast Data Acquisition
- ATE
- Radar/FLR Systems
- Video Multiplexing

DESCRIPTION

The DG540/541/542 are high performance monolithic wideband/video switches designed for switching RF, video and digital signals. By utilizing a “T” switch configuration on each channel, these devices achieve exceptionally low crosstalk and high off-isolation. The crosstalk and off-isolation of the DG540 are further improved by the introduction of extra GND pins between signal pins.

To achieve TTL compatibility, low channel capacitances and fast switching times, the DG540 family is built on the Vishay Siliconix proprietary D/CMOS process. Each switch conducts equally well in both directions when on.

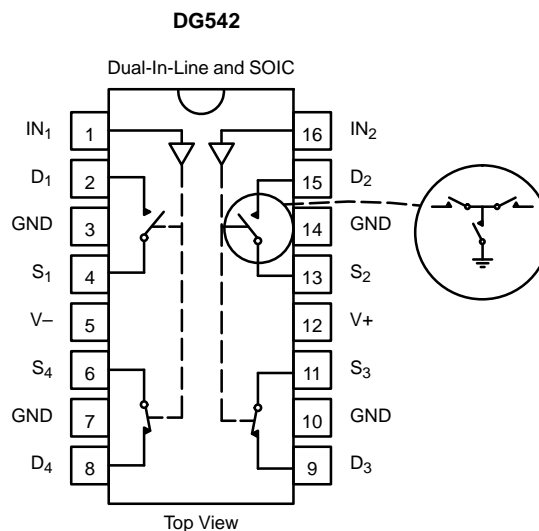
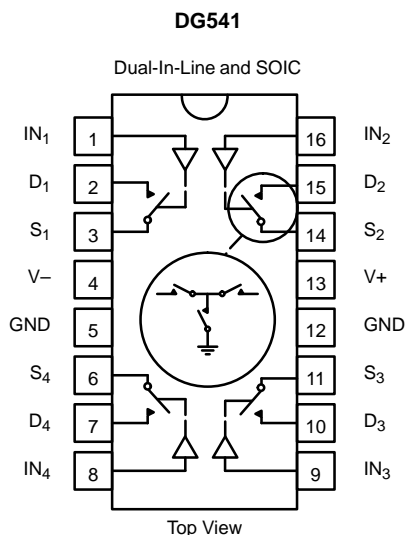
FUNCTIONAL BLOCK DIAGRAM AND PIN CONFIGURATION



TRUTH TABLE	
Logic	Switch
0	OFF
1	ON

Logic “0” ≤ 0.8 V
Logic “1” ≥ 2 V

FUNCTIONAL BLOCK DIAGRAM AND PIN CONFIGURATION



TRUTH TABLE - DG541	
Logic	Switch
0	OFF
1	ON

Logic "0" ≤ 0.8 V
 Logic "1" ≥ 2 V

TRUTH TABLE - DG542		
Logic	SW ₁ , SW ₂	SW ₃ , SW ₄
0	OFF	ON
1	ON	OFF

Logic "0" ≤ 0.8 V
 Logic "1" ≥ 2 V

ORDERING INFORMATION		
Temp Range	Package	Part Number
DG540		
-40 to 85°C	20-Pin Plastic DIP	DG540DJ
	20-Pin PLCC	DG540DN
-55 to 125°C	20-Pin Sidebrazed	DG540AP
		DG540AP/883
DG541		
-40 to 85°C	16-Pin Plastic DIP	DG541DJ
	16-Pin Narrow SOIC	DG541DY
-55 to 125°C	16-Pin Sidebrazed	DG541AP
		DG541AP/883, 5962-9076401MEA
DG542		
-40 to 85°C	16-Pin Plastic DIP	DG542DJ
	16-Pin Narrow SOIC	DG542DY
-55 to 125°C	16-Pin Sidebrazed	DG542AP
		DG542AP/883, 5962-91555201MEA

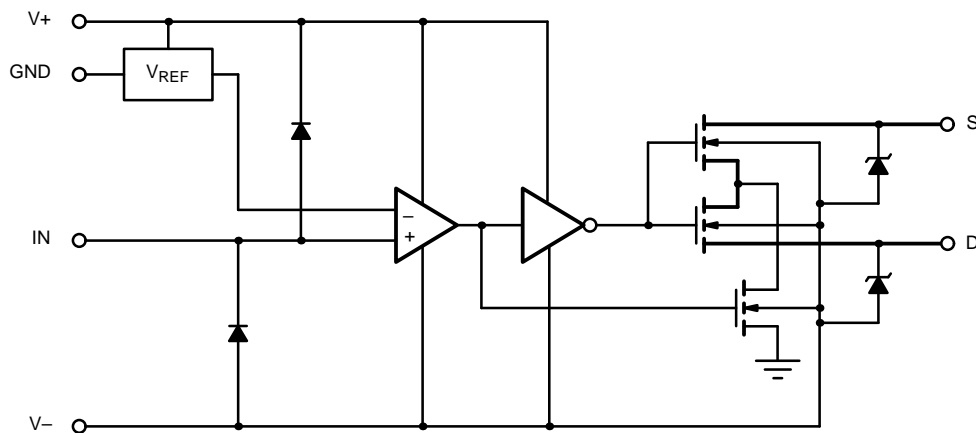
ABSOLUTE MAXIMUM RATINGS

V+ to V-	-0.3 V to 21 V
V+ to GND	-0.3 V to 21 V
V- to GND	-19 V to +0.3 V
Digital Inputs	(V-) -0.3 V to (V+) +0.3 V or 20 mA, whichever occurs first
V _S , V _D	(V-) -0.3 V to (V-) +14 V or 20 mA, whichever occurs first
Continuous Current (Any Terminal)	20 mA
Current, S or D (Pulsed 1 ms, 10% duty cycle max)	40 mA
Storage Temperature	(AP Suffix)	-65 to 150°C
	(DJ, DN, DY Suffixes)	-65 to 125°C

Power Dissipation (Package) ^a	
16-Pin Plastic DIP ^b 470 mW
20-Pin Plastic DIP ^c 800 mW
16-Pin Narrow Body SOIC ^d 640 mW
20-Pin PLCC ^d 800 mW
16-, 20-Pin Sidebrazed DIP ^e 900 mW

Notes:

- a. All leads welded or soldered to PC Board.
- b. Derate 6.5 mW/°C above 25°C
- c. Derate 7 mW/°C above 25°C
- d. Derate 10 mW/°C above 75°C
- e. Derate 12 mW/°C above 75°C

SCHEMATIC DIAGRAM (TYPICAL CHANNEL)

FIGURE 1.

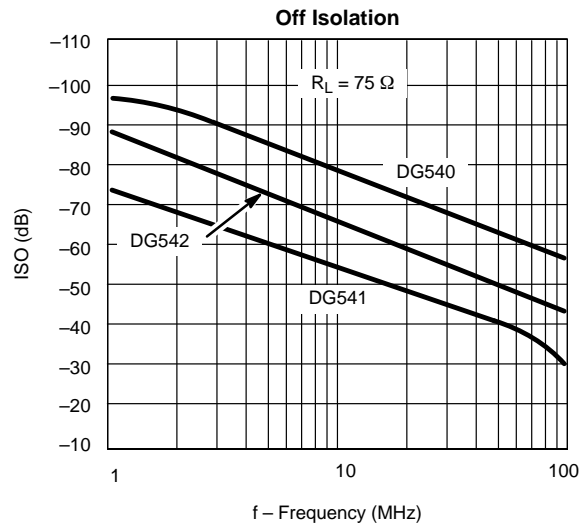
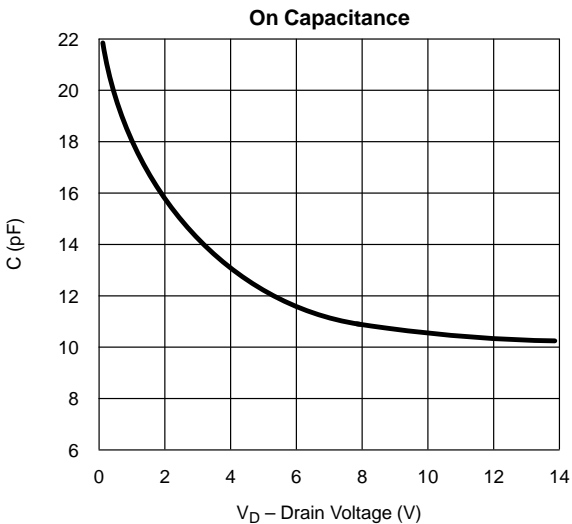
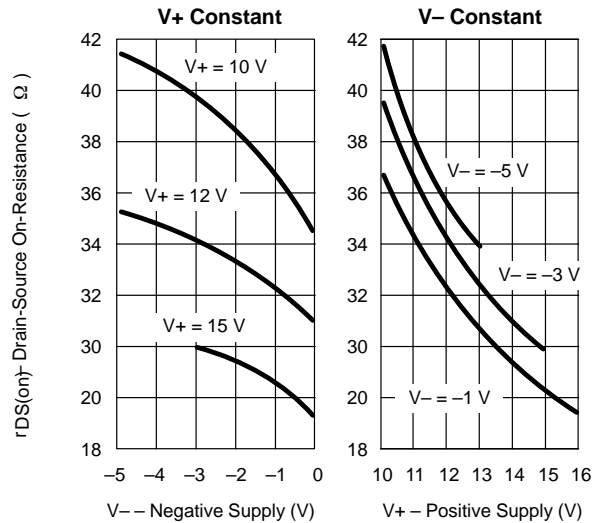
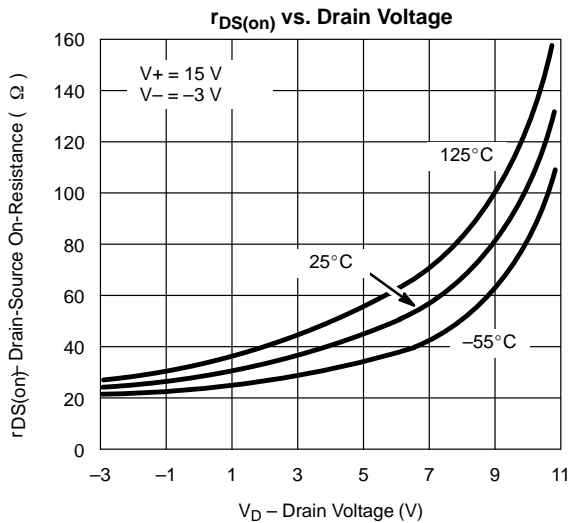
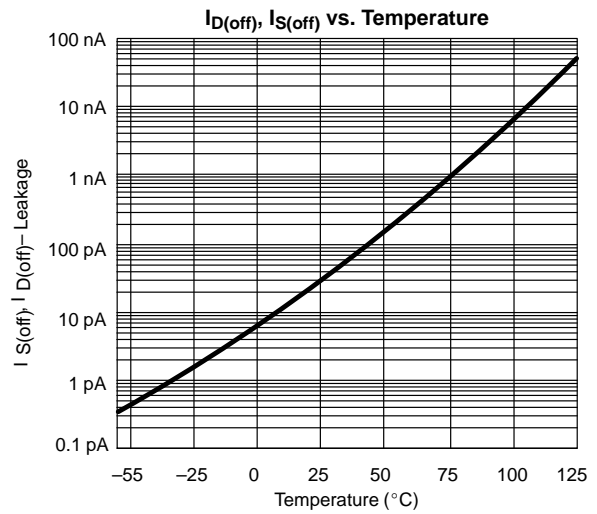
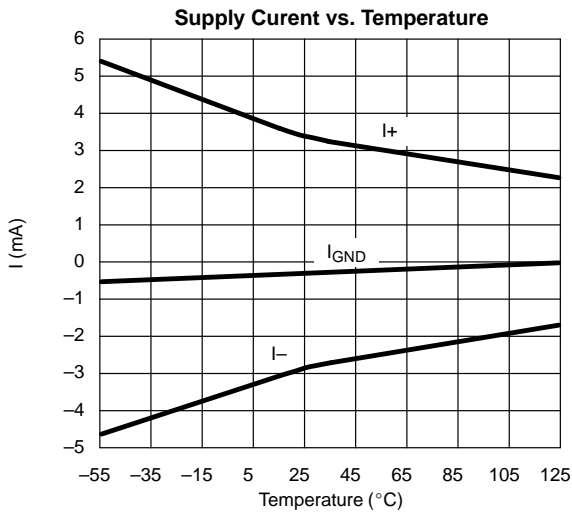


SPECIFICATIONS ^a											
Parameter	Symbol	Test Conditions Unless Specified $V_+ = 15\text{ V}, V_- = -3\text{ V}$ $V_{INH} = 2\text{ V}, V_{INL} = 0.8\text{ V}^f$	Temp ^b	Typ ^c	A Suffix -55 to 125°C		D Suffixes -40 to 85°C		Unit		
					Min ^d	Max ^d	Min ^d	Max ^d			
Analog Switch											
Analog Signal Range	V_{ANALOG}	$V_- = -5\text{ V}, V_+ = 12\text{ V}$	Full		-5	5	-5	5	V		
Drain-Source On-Resistance	$r_{DS(on)}$	$I_S = -10\text{ mA}, V_D = 0\text{ V}$	Room Full	30		60		60	Ω		
$r_{DS(on)}$ Match	$\Delta r_{DS(on)}$		Room	2		6		6			
Source Off Leakage Current	$I_{S(off)}$	$V_S = 0\text{ V}, V_D = 10\text{ V}$	Room Full	-0.05	-10 -500	10 500	-10 -100	10 100	nA		
Drain Off Leakage Current	$I_{D(off)}$	$V_S = 10\text{ V}, V_D = 0\text{ V}$	Room Full	-0.05	-10 -500	10 500	-10 -100	10 100			
Channel On Leakage Current	$I_{D(on)}$	$V_S = V_D = 0\text{ V}$	Room Full	-0.05	-10 -1000	10 1000	-10 -100	10 100			
Digital Control											
Input Voltage High	V_{INH}		Full		2		2		V		
Input Voltage Low	V_{INL}		Full			0.8		0.8			
Input Current	I_{IN}	$V_{IN} = \text{GND or } V_+$	Room Full	0.05	-1 -20	1 20	-1 -20	1 20	μA		
Dynamic Characteristics											
On State Input Capacitance ^e	$C_{S(on)}$	$V_S = V_D = 0\text{ V}$	Room	14		20		20	pF		
Off State Input Capacitance ^e	$C_{S(off)}$	$V_S = 0\text{ V}$	Room	2		4		4			
Off State Output Capacitance ^e	$C_{D(off)}$	$V_D = 0\text{ V}$	Room	2		4		4			
Bandwidth	BW	$R_L = 50\ \Omega$, See Figure 5	Room	500					MHz		
Turn On Time	t_{ON}	$R_L = 1\text{ k}\Omega$ $C_L = 35\text{ pF}$ 50% to 90% See Figure 2	DG540	Room	45		70		70	ns	
			DG541	Room Full			130		130		
Turn Off Time	t_{OFF}		DG542	Room	55		100		100		
			DG541	Room Full			160		160		
Charge Injection	Q	$C_L = 1000\text{ pF}, V_S = 0\text{ V}$ See Figure 3	DG540	Room	-25				pC		
			DG541	Room							
Off Isolation	OIRR		DG542	Room	-75					dB	
			DG540	Room	-80						
All Hostile Crosstalk	$X_{TALK(AH)}$	$R_{IN} = 10\ \Omega, R_L = 75\ \Omega$ $f = 5\text{ MHz}$, See Figure 6	DG541	Room	-60						
			DG542	Room	-75						
Power Supplies											
Positive Supply Current	I+		All Channels On or Off	Room Full	3.5		6 9		6 9	mA	
Negative Supply Current	I-	Room Full		-3.2	-6 -9		-6 -9				

Notes:

- Refer to PROCESS OPTION FLOWCHART.
- Room = 25°C, Full = as determined by the operating temperature suffix.
- Typical values are for DESIGN AID ONLY, not guaranteed nor subject to production testing.
- The algebraic convention whereby the most negative value is a minimum and the most positive a maximum, is used in this data sheet.
- Guaranteed by design, not subject to production test.
- V_{IN} = input voltage to perform proper function.

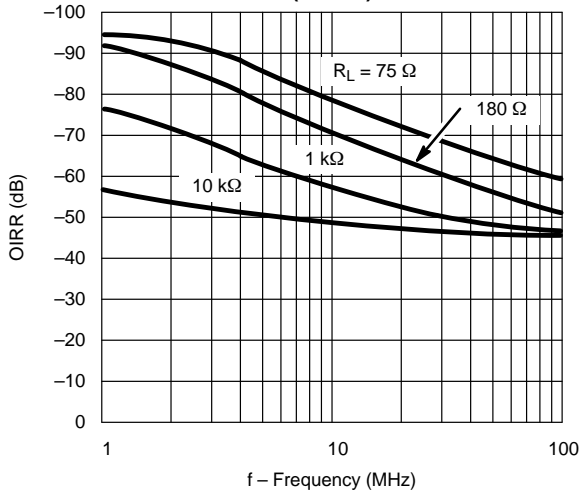
TYPICAL CHARACTERISTICS (25°C UNLESS NOTED)



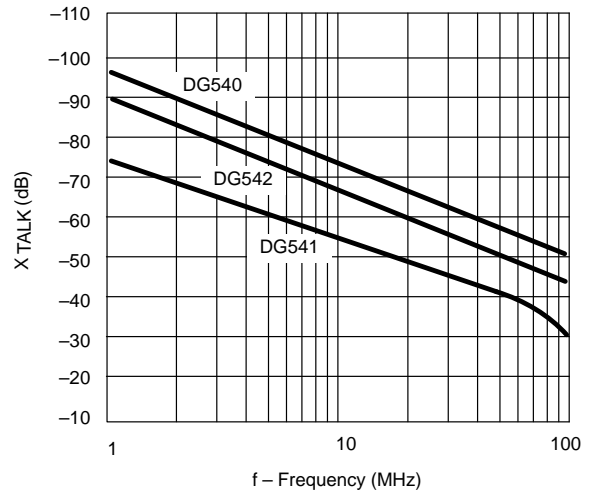


TYPICAL CHARACTERISTICS (25°C UNLESS NOTED)

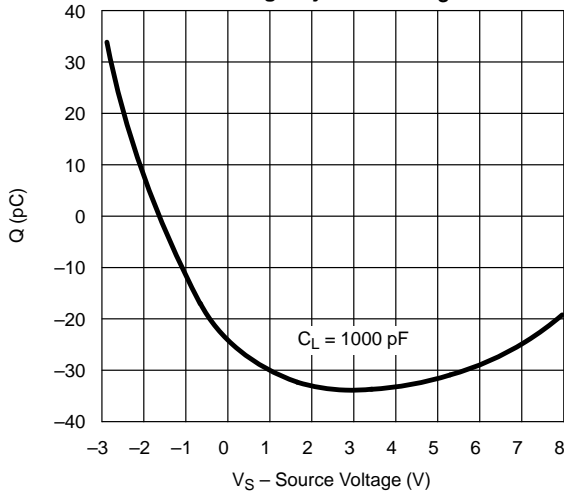
Off Isolation vs. Frequency and Load Resistance (DG540)



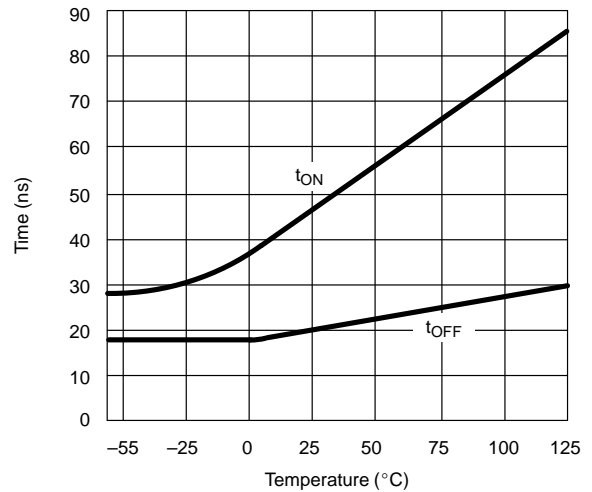
All Hostile Crosstalk



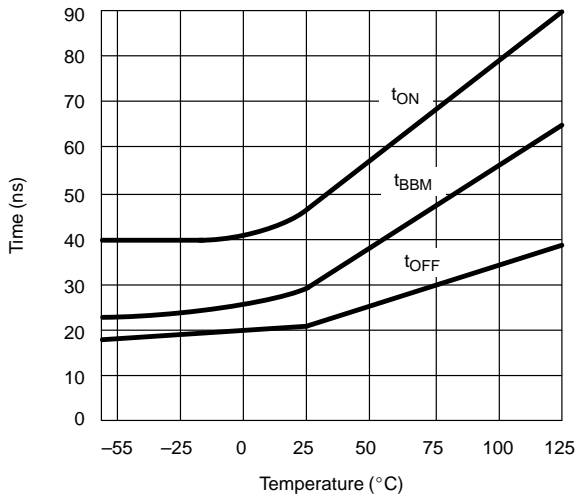
Charge Injection vs. V_S



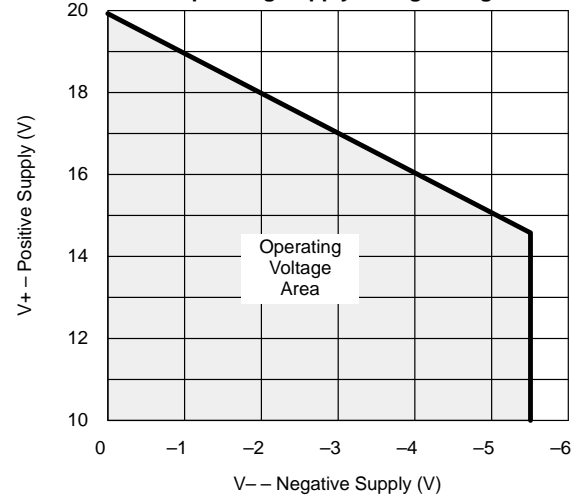
Switching Times vs. Temperature (DG540/541)

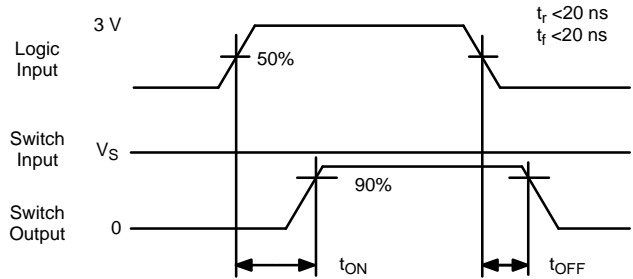
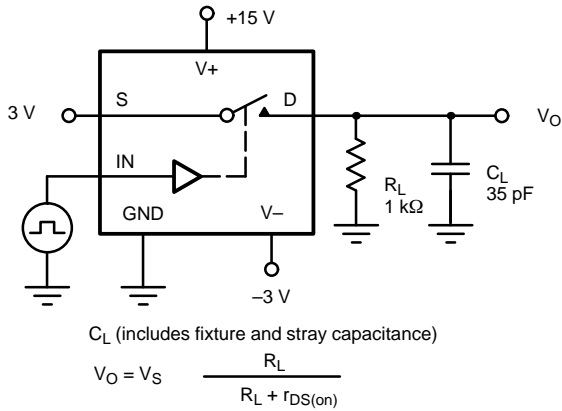
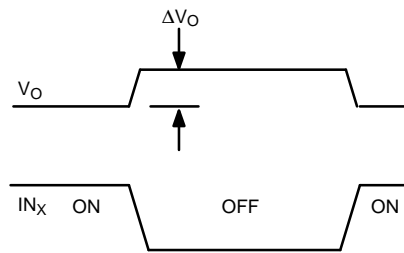
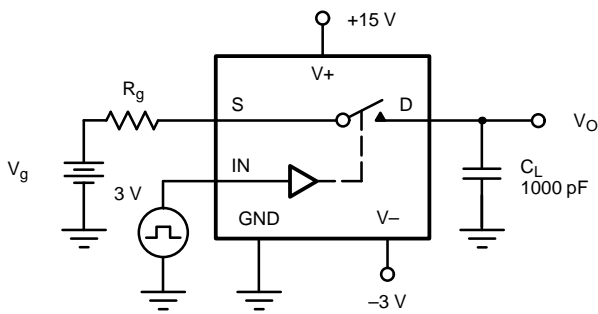


Switching and Break-Before-Make Time vs. Temperature (DG542)

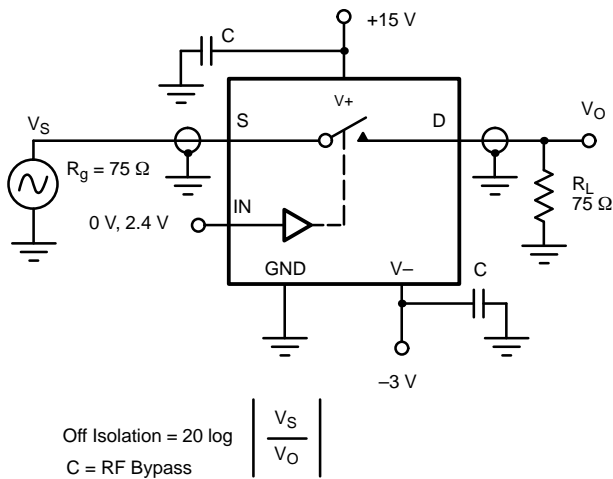
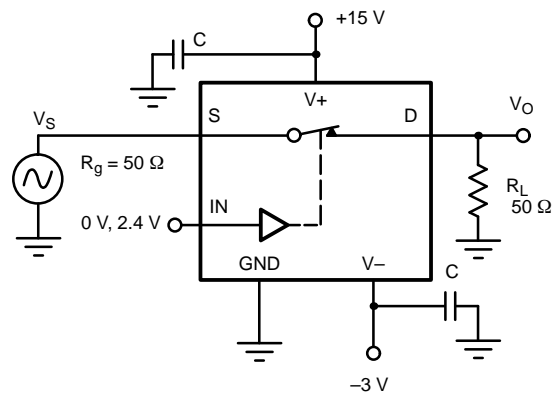


Operating Supply Voltage Range



TEST CIRCUITS

FIGURE 2. Switching Time


ΔV_O = measured voltage error due to charge injection
 The charge injection in coulombs is $\Delta Q = C_L \times \Delta V_O$

FIGURE 3. Charge Injection

FIGURE 4. Off Isolation

FIGURE 5. Bandwidth

TEST CIRCUITS

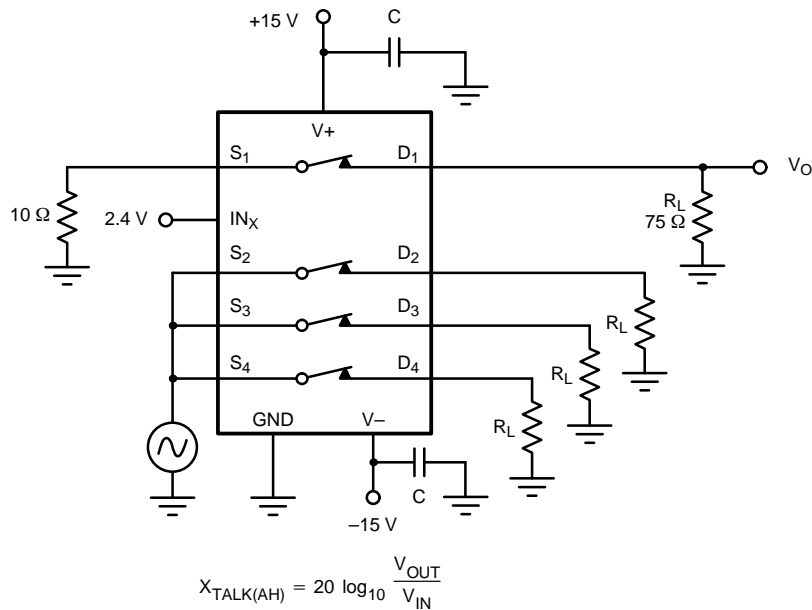


FIGURE 6. All Hostile Crosstalk

APPLICATIONS

Device Description

The DG540/541/542 family of wideband switches offers true bidirectional switching of high frequency analog or digital signals with minimum signal crosstalk, low insertion loss, and negligible non-linearity distortion and group delay.

Built on the Siliconix D/CMOS process, these “T” switches provide excellent off-isolation with a bandwidth of around 500 MHz (350 MHz for DG541). Silicon-gate D/CMOS processing also yields fast switching speeds.

An on-chip regulator circuit maintains TTL input compatibility over the whole operating supply voltage range, easing control logic interfacing.

Circuit layout is facilitated by the interchangeability of source and drain terminals.

Frequency Response

A single switch on-channel exhibits both resistance [$r_{DS(on)}$] and capacitance [$C_{S(on)}$]. This RC combination has an

attenuation effect on the analog signal – which is frequency dependent (like an RC low-pass filter). The –3-dB bandwidth of the DG540 is typically 500 MHz (into 50 Ω). This measured figure of 500 MHz illustrates that the switch channel can not be represented by a two stage RC combination. The on capacitance of the channel is distributed along the on-resistance, and hence becomes a more complex multi stage network of R’s and C’s making up the total $r_{DS(on)}$ and $C_{S(on)}$. See Application Note AN502 for more details.

Off-Isolation and Crosstalk

Off-isolation and crosstalk are affected by the load resistance and parasitic inter-electrode capacitances. Higher off-isolation is achieved with lower values of R_L . However, low values of R_L increase insertion loss requiring gain adjustments down the line. Stray capacitances, even a fraction of 1 pF, can cause a large crosstalk increase. Good layout and ground shielding techniques can considerably improve your ac circuit performance.

APPLICATIONS

Power Supplies

A useful feature of the DG54X family is its power supply flexibility. It can be operated from a single positive supply ($V+$) if required ($V-$ connected to ground).

Note that the analog signal must not exceed $V-$ by more than -0.3 V to prevent forward biasing the substrate p-n junction. The use of a $V-$ supply has a number of advantages:

1. It allows flexibility in analog signal handling, i.e., with $V- = -5$ V and $V+ = 12$ V; up to ± 5 -V ac signals can be controlled.
2. The value of on capacitance [$C_{S(on)}$] may be reduced. A property known as 'the body-effect' on the DMOS switch devices causes various parametric effects to occur. One of these effects is the reduction in $C_{S(on)}$ for an increasing V body-source. Note, however, that to increase $V-$ normally requires $V+$ to be reduced (since $V+$ to $V- = 21$ V max.). Reduction in $V+$ causes an increase in $r_{DS(on)}$, hence a compromise has to be achieved. It is also useful to note that optimum video linearity performance (e.g., differential phase and gain) occurs when $V-$ is around -3 V.
3. $V-$ eliminates the need to bias the analog signal using potential dividers and large coupling capacitors.

Decoupling

It is an established RF design practice to incorporate sufficient bypass capacitors in the circuit to decouple the power supplies to all active devices in the circuit. The dynamic performance of the DG54X is adversely affected by poor decoupling of power supply pins. Also, of even more significance, since the substrate of the device is connected to the negative supply, adequate decoupling of this pin is essential.

Rules:

1. Decoupling capacitors should be incorporated on all power supply pins ($V+$, $V-$). (See Figure 7.)
2. They should be mounted as close as possible to the device pins.
3. Capacitors should have good high frequency characteristics – tantalum bead and/or monolithic ceramic types are adequate.

Suitable decoupling capacitors are 1- to 10- μ F tantalum bead, plus 10- to 100-nF ceramic.

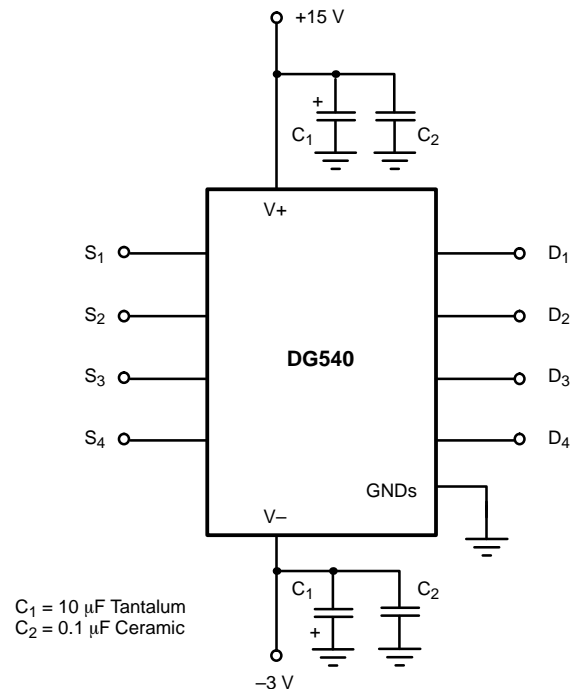


FIGURE 7. Supply Decoupling

Board Layout

PCB layout rules for good high frequency performance must be observed to achieve the performance boasted by the DG540. Some tips for minimizing stray effects are:

1. Use extensive ground planes on double sided PCB, separating adjacent signal paths. Multilayer PCB is even better.
2. Keep signal paths as short as practically possible, with all channel paths of near equal length.
3. Careful arrangement of ground connections is also very important. Star connected system grounds eliminate signal current flowing through ground path parasitic resistance from coupling between channels.

APPLICATIONS

Figure 8 shows a 4-channel video multiplexer using a DG540.

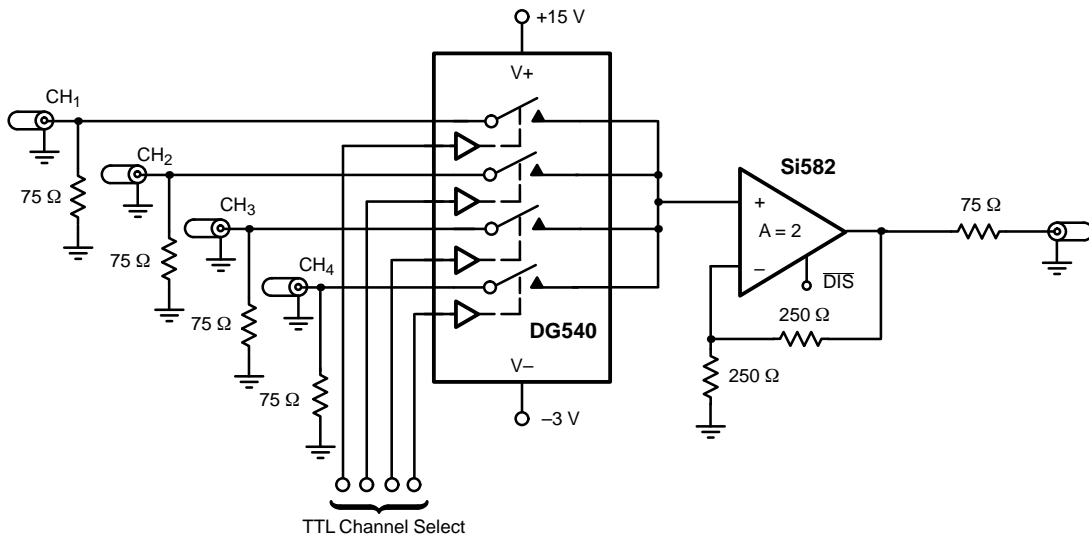


FIGURE 8. 4 by 1 Video Multiplexing Using the DG540

Figure 9 shows an RGB selector switch using two DG542s.

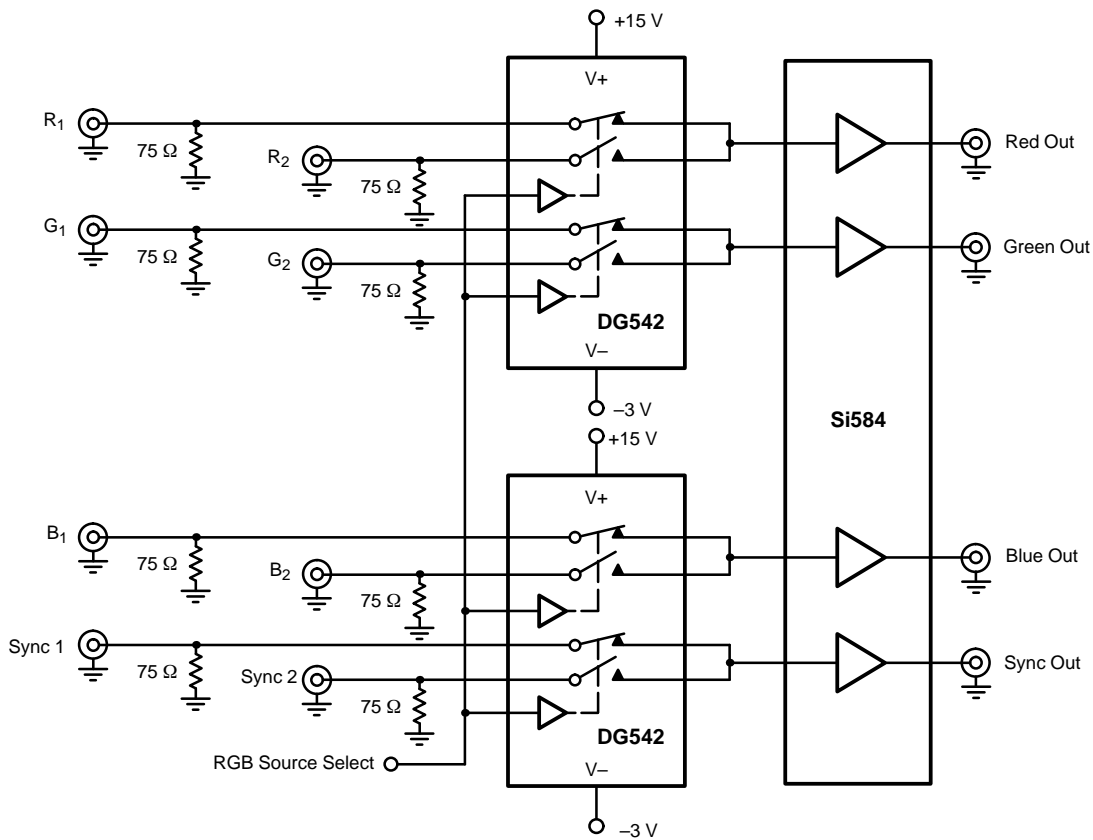


FIGURE 9. RGB Selector Using Two DG542s



Disclaimer

All product specifications and data are subject to change without notice.

Vishay Intertechnology, Inc., its affiliates, agents, and employees, and all persons acting on its or their behalf (collectively, "Vishay"), disclaim any and all liability for any errors, inaccuracies or incompleteness contained herein or in any other disclosure relating to any product.

Vishay disclaims any and all liability arising out of the use or application of any product described herein or of any information provided herein to the maximum extent permitted by law. The product specifications do not expand or otherwise modify Vishay's terms and conditions of purchase, including but not limited to the warranty expressed therein, which apply to these products.

No license, express or implied, by estoppel or otherwise, to any intellectual property rights is granted by this document or by any conduct of Vishay.

The products shown herein are not designed for use in medical, life-saving, or life-sustaining applications unless otherwise expressly indicated. Customers using or selling Vishay products not expressly indicated for use in such applications do so entirely at their own risk and agree to fully indemnify Vishay for any damages arising or resulting from such use or sale. Please contact authorized Vishay personnel to obtain written terms and conditions regarding products designed for such applications.

Product names and markings noted herein may be trademarks of their respective owners.