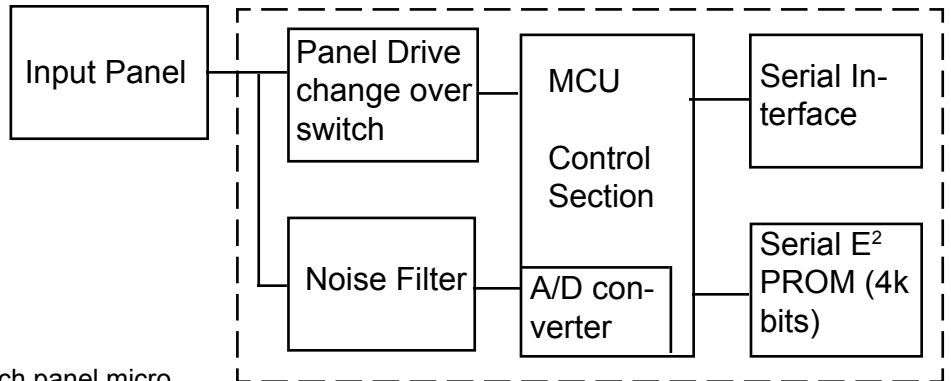


# STANDARD Micro Controller Specification

## N010-0559-V036 Serial Interface Controller Chip

### 4-Wire Series Summary Sheet

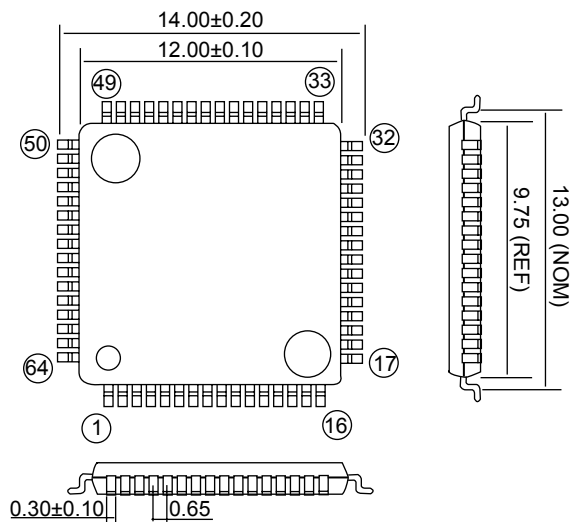
■ FEATURES



- High quality and reliability touch panel micro
- Serial Interface (RS-232)
- Used to control the 4-Wire resistive touch panels
- RoHS compliant

■ CONSTRUCTION

- 64 pin PQFP MCU with masked ROM



|    |        |    |        |    |        |    |        |
|----|--------|----|--------|----|--------|----|--------|
| 1  | Unused | 17 | Unused | 33 | Unused | 49 | Vss    |
| 2  | S/P*   | 18 | Unused | 34 | Unused | 50 | EROMCS |
| 3  | EMSR0  | 19 | *RST   | 35 | Unused | 51 | Unused |
| 4  | EMSR1  | 20 | MOD0   | 36 | Unused | 52 | EROMS1 |
| 5  | EMSR2  | 21 | MOD1   | 37 | Unused | 53 | EROMS0 |
| 6  | EMSR3  | 22 | X0     | 38 | Unused | 54 | EROMCK |
| 7  | Unused | 23 | X1     | 39 | Unused | 55 | RXD    |
| 8  | Unused | 24 | Vss    | 40 | Unused | 56 | Vcc    |
| 9  | Unused | 25 | Unused | 41 | *PSW0  | 57 | TXD    |
| 10 | Unused | 26 | Unused | 42 | Unused | 58 | UCK1   |
| 11 | Avcc   | 27 | Unused | 43 | Unused | 59 | UCK2   |
| 12 | AVR    | 28 | Unused | 44 | Unused | 60 | Unused |
| 13 | Avss   | 29 | PSW4   | 45 | Unused | 61 | Unused |
| 14 | CSEL   | 30 | *PSW3  | 46 | Unused | 62 | Unused |
| 15 | *PINT  | 31 | PSW2   | 47 | Unused | 63 | OS1    |
| 16 | *RXINT | 32 | *PSW1  | 48 | Unused | 64 | OS0    |

# Serial Interface Controller Chip

Complete specification document is available on request for customers with whom we have an approved NDA in place.

## Fujitsu Components International Headquarter Offices

### Japan

Fujitsu Component Limited  
Gotanda-Chuo Building  
3-5, Higashigotanda 2-chome, Shinagawa-ku  
Tokyo 141, Japan  
Tel: (81-3) 5449-7010  
Fax: (81-3) 5449-2626  
Email: [promothq@ft.ed.fujitsu.com](mailto:promothq@ft.ed.fujitsu.com)  
Web: [www.fcl.fujitsu.com](http://www.fcl.fujitsu.com)

### North and South America

Fujitsu Components America, Inc.  
250 E. Caribbean Drive  
Sunnyvale, CA 94089 U.S.A.  
Tel: (1-408) 745-4900  
Fax: (1-408) 745-4970  
Email: [components@us.fujitsu.com](mailto:components@us.fujitsu.com)  
Web: <http://www.fujitsu.com/us/services/edevices/components/>

### Europe

Fujitsu Components Europe B.V.  
Diamantlaan 25  
2132 WV Hoofddorp  
Netherlands  
Tel: (31-23) 5560910  
Fax: (31-23) 5560950  
Email: [info@fceu.fujitsu.com](mailto:info@fceu.fujitsu.com)  
Web: [emea.fujitsu.com/components/](http://emea.fujitsu.com/components/)

### Asia Pacific

Fujitsu Components Asia Ltd.  
102E Pasir Panjang Road  
#01-01 Citilink Warehouse Complex  
Singapore 118529  
Tel: (65) 6375-8560  
Fax: (65) 6273-3021  
Email: [fcal@fcal.fujitsu.com](mailto:fcal@fcal.fujitsu.com)  
Web: <http://www.fujitsu.com/sg/services/micro/components/>

©2006 Fujitsu Components America, Inc. All rights reserved. All trademarks or registered trademarks are the property of their respective owners.

Fujitsu Components America or its affiliates do not warrant that the content of datasheet is error free. In a continuing effort to improve our products Fujitsu Components America, Inc. or its affiliates reserve the right to change specifications/datasheets without prior notice.  
Rev. May19/2006