

2N4416
2N4416A

N-CHANNEL JFET



JEDEC TO-72 CASE

CentralTM
Semiconductor Corp.

DESCRIPTION:

The CENTRAL SEMICONDUCTOR 2N4416 and 2N4416A are silicon N-Channel Junction Field Effect Transistors designed for VHF amplifier and mixer applications.

MARKING CODE:

Full Part Number

MAXIMUM RATINGS: ($T_A=25^\circ\text{C}$)

Gate-Drain Voltage
Gate-Source Voltage
Drain-Source Voltage
Gate Current
Power Dissipation
Operating and Storage
Junction Temperature

SYMBOL	2N4416	2N4416A	UNITS
V_{GD}	30	35	V
V_{GS}	30	35	V
V_{DS}	30	35	V
I_G	10	10	mA
P_D	300	300	mW
T_J, T_{stg}	-65 to +200		$^\circ\text{C}$

ELECTRICAL CHARACTERISTICS: ($T_A=25^\circ\text{C}$ unless otherwise noted)

SYMBOL	TEST CONDITIONS	2N4416		2N4416A		UNITS
		MIN	MAX	MIN	MAX	
I_{GSS}	$V_{GS}=20\text{V}, V_{DS}=0\text{V}$	-	0.1	--	0.1	nA
I_{GSS}	$V_{GS}=20\text{V}, V_{DS}=0\text{V}, T_A=150^\circ\text{C}$	-	0.1	-	0.1	μA
I_{DSS}	$V_{DS}=15\text{V}, V_{GS}=0\text{V}$	5.0	15	5.0	15	mA
BV_{GSS}	$V_{DS}=0\text{V}, I_G=1.0\mu\text{A}$	30	-	35	-	V
$V_{GS(OFF)}$	$V_{DS}=15\text{V}, I_D=1.0\text{nA}$	-	6.0	2.5	6.0	V
g_{fs}	$V_{DS}=15\text{V}, V_{GS}=0\text{V}, f=1.0\text{KHz}$	4,500	7,500	4,500	7,500	umho
g_{os}	$V_{DS}=15\text{V}, V_{GS}=0\text{V}, f=1.0\text{KHz}$	-	50	-	50	umho
C_{rss}	$V_{DS}=15\text{V}, V_{GS}=0, f=1.0\text{MHz}$	-	1.0	-	1.0	pF
C_{iss}	$V_{DS}=15\text{V}, V_{GS}=0, f=1.0\text{MHz}$	-	4.0	-	4.0	pF
C_{oss}	$V_{DS}=15\text{V}, V_{GS}=0, f=1.0\text{MHz}$	-	2.0	-	2.0	pF

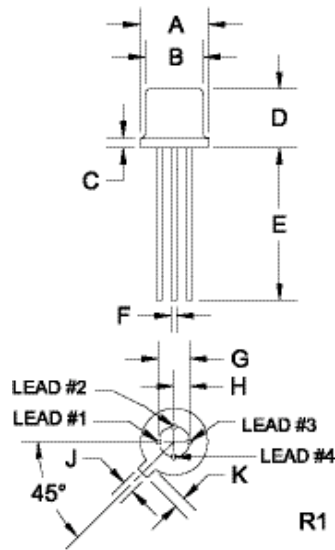
HIGH FREQUENCY CHARACTERISTICS:

SYMBOL	TEST CONDITIONS	100 MHz		400 MHz		UNITS
		MIN	MAX	MIN	MAX	
g_{iss}	$V_{DS}=15\text{V}, V_{GS}=0\text{V}$	-	100	-	1,000	umho
b_{iss}	$V_{DS}=15\text{V}, V_{GS}=0\text{V}$	-	2,500	-	10,000	umho
g_{oss}	$V_{DS}=15\text{V}, V_{GS}=0\text{V}$	-	75	-	100	umho
b_{oss}	$V_{DS}=15\text{V}, V_{GS}=0\text{V}$	-	1,000	-	4,000	umho
g_{fs}	$V_{DS}=15\text{V}, V_{GS}=0\text{V}$	-	-	4,000	-	umho
G_{ps}	$V_{DS}=15\text{V}, I_D=5\text{mA}$	18	-	10	-	dB
NF	$V_{DS}=15\text{V}, I_D=5\text{mA}, R_G=1\text{K}\Omega$	-	2.0	-	4.0	dB

R1 (4-April 2007)

N-CHANNEL JFET

TO-72 CASE - MECHANICAL OUTLINE



SYMBOL	INCHES		MILLIMETERS	
	MIN	MAX	MIN	MAX
A (DIA)	0.209	0.230	5.31	5.84
B (DIA)	0.175	0.195	4.45	4.95
C	-	0.030	-	0.76
D	0.170	0.210	4.32	5.33
E	0.500	-	12.70	-
F (DIA)	0.016	0.019	0.41	0.48
G (DIA)	0.100		2.54	
H	0.050		1.27	
J	0.036	0.046	0.91	1.17
K	0.028	0.048	0.71	1.22

TO-72 (REV: R1)

LEAD CODE:

- 1) SOURCE
- 2) DRAIN
- 3) GATE
- 4) CASE

MARKING CODES:

Full Part Number

R1 (4-April 2007)