

Surface Mount TRANSZORB® Transient Voltage Suppressors



DO-214AC (SMA)

PRIMARY CHARACTERISTICS	
V_{BR}	530 V, 550 V
P_{PPM}	300 W
P_D	2.5 W
I_{FSM}	40 A
$T_J \text{ max.}$	150 °C

TYPICAL APPLICATIONS

Use in sensitive electronics protection against voltage transients induced by inductive load switching and lighting on ICs, MOSFET, signal lines of sensor units for consumer, computer, industrial, automotive and telecommunication.

MECHANICAL DATA

Case: DO-214AC (SMA)

Epoxy meets UL 94V-0 flammability rating

Terminals: Matte tin plated leads, solderable per J-STD-002B and JESD22-B102D

E3 suffix for commercial grade, HE3 suffix for high reliability grade (AEC Q101 qualified)

Polarity: Color band denotes cathode end

FEATURES

- Glass passivated chip junction
- Available in uni-directional polarity only
- Excellent clamping capability
- Very fast response time
- Low incremental surge resistance
- Meets MSL level 1, per J-STD-020C, LF max peak of 260 °C
- Solder dip 260 °C, 40 seconds
- Component in accordance to RoHS 2002/95/EC and WEEE 2002/96/EC



APPLICATION NOTES

- Respect thermal resistance (PCB Layout) - as the temperature coefficient also contributes to the clamping voltage
- Select minimum breakdown voltage, so you get acceptable power dissipation and PCB tie point temperature
- Devices with higher breakdown voltage will have a shorter conduction time and will dissipate less power
- Clamping voltage is influenced by internal resistance - design approximation is 7 V per 100 mA slope
- Keep temperature of TVS lower than TOPSwitch® as a recommendation
- Maximum current is determined by the maximum T_J and can be higher than 300 mA
- Contact supplier for different clamping voltage/current arrangements
- Minimum breakdown voltage can be customized for other applications. Contact supplier
- TOPSwitch is a registered trademark of Power Integrations, Inc.

MAXIMUM RATINGS ($T_A = 25$ °C unless otherwise noted)				
PARAMETER	SYMBOL	SMAJ530	SMAJ550	UNIT
Device marking code		HD	SB	
Power dissipation on infinite heatsink ⁽³⁾	P_D	2.5		W
Peak pulse power dissipation ⁽¹⁾⁽²⁾⁽⁴⁾ (Fig. 1)	P_{PPM}	300		W
Stand-off voltage	V_{WM}	477	495	V
Operating junction and storage temperature range	T_J, T_{STG}	- 55 to + 150		°C

Notes:

(1) Non repetitive current pulse per Fig. 3 and derated above 25 °C per Fig. 2

(2) Mounted on 5.0 mm² copper pads to each terminal

(3) Lead temperature at $T_L = 75$ °C

(4) Peak pulse power waveform is 10/1000 μ s

ELECTRICAL CHARACTERISTICS ($T_A = 25\text{ }^\circ\text{C}$ unless otherwise noted)					
PARAMETER	TEST CONDITIONS	SYMBOL	SMAJ530	SMAJ550	UNIT
Minimum breakdown voltage	at 100 μA	V_{BR}	530	550	V
Max. clamping voltage	at 400 mA, 10/1000 μs -waveform	V_C	760		V
Maximum DC reverse leakage current	at V_{WM}	I_D	1.0		μA
Typical temperature coefficient	of V_{BR}		650		mV/ $^\circ\text{C}$
Typical capacitance ⁽¹⁾	at 0 V	C_J	90		pF
	at 200 V	C_J	7.5		pF

Note:

(1) Measured at 1 MHz

THERMAL CHARACTERISTICS ($T_A = 25\text{ }^\circ\text{C}$ unless otherwise noted)				
PARAMETER	SYMBOL	SMAJ530	SMAJ550	UNIT
Typical thermal resistance, junction to lead	$R_{\theta JL}$	30		$^\circ\text{C/W}$
Typical thermal resistance, junction to ambient ⁽¹⁾	$R_{\theta JA}$	120		$^\circ\text{C/W}$

Note:

(1) Mounted on minimum recommended pad layout

ORDERING INFORMATION (Example)				
PREFERRED P/N	UNIT WEIGHT (g)	PREFERRED PACKAGE CODE	BASE QUANTITY	DELIVERY MODE
SMAJ530-E3/61	0.064	61	1800	7" diameter plastic tape and reel
SMAJ530-E3/5A	0.064	5A	7500	13" diameter plastic tape and reel
SMAJ530HE3/61 ⁽¹⁾	0.064	61	1800	7" diameter plastic tape and reel
SMAJ530HE3/5A ⁽¹⁾	0.064	5A	7500	13" diameter plastic tape and reel

Note:

(1) Automotive grade AEC Q101 qualified

RATINGS AND CHARACTERISTICS CURVES

($T_A = 25\text{ }^\circ\text{C}$ unless otherwise noted)

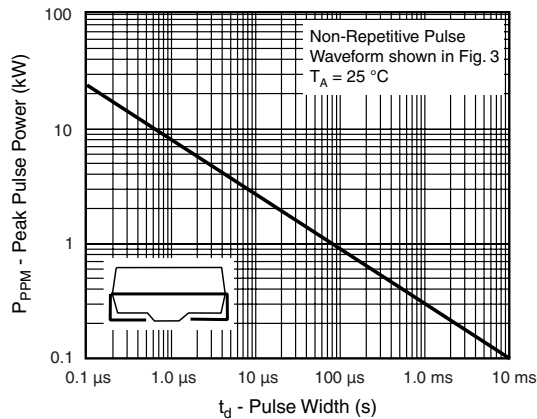


Figure 1. Peak Pulse Power Rating Curve

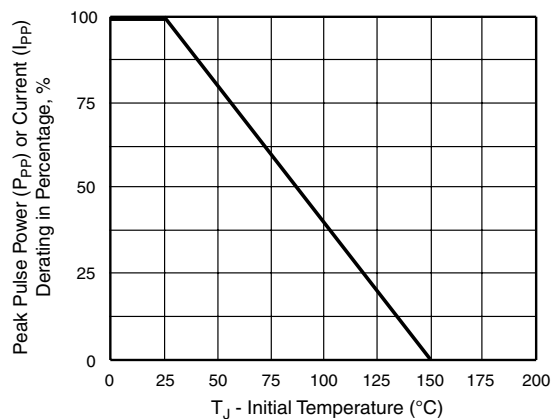


Figure 2. Pulse Power or Current vs. Initial Junction Temperature

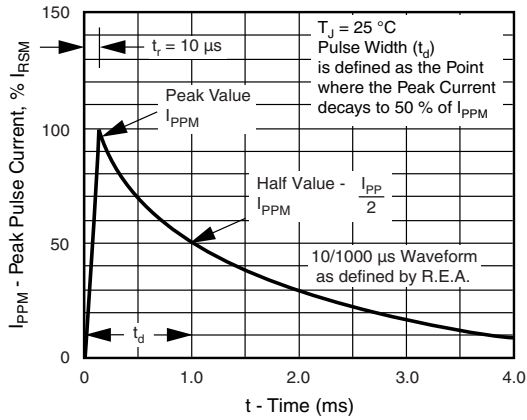
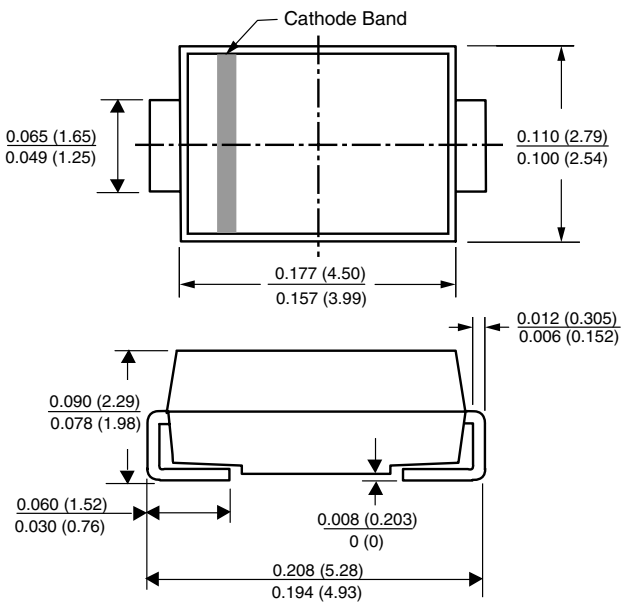


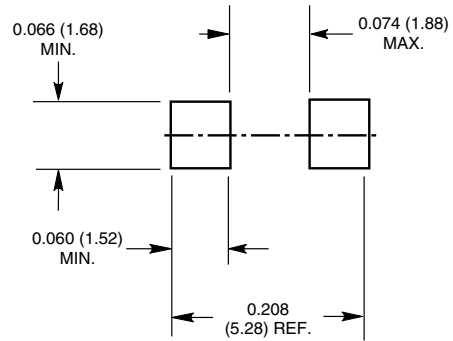
Figure 3. Pulse Waveform

PACKAGE OUTLINE DIMENSIONS in inches (millimeters)

DO-214AC (SMA)



Mounting Pad Layout





Disclaimer

All product specifications and data are subject to change without notice.

Vishay Intertechnology, Inc., its affiliates, agents, and employees, and all persons acting on its or their behalf (collectively, "Vishay"), disclaim any and all liability for any errors, inaccuracies or incompleteness contained herein or in any other disclosure relating to any product.

Vishay disclaims any and all liability arising out of the use or application of any product described herein or of any information provided herein to the maximum extent permitted by law. The product specifications do not expand or otherwise modify Vishay's terms and conditions of purchase, including but not limited to the warranty expressed therein, which apply to these products.

No license, express or implied, by estoppel or otherwise, to any intellectual property rights is granted by this document or by any conduct of Vishay.

The products shown herein are not designed for use in medical, life-saving, or life-sustaining applications unless otherwise expressly indicated. Customers using or selling Vishay products not expressly indicated for use in such applications do so entirely at their own risk and agree to fully indemnify Vishay for any damages arising or resulting from such use or sale. Please contact authorized Vishay personnel to obtain written terms and conditions regarding products designed for such applications.

Product names and markings noted herein may be trademarks of their respective owners.