

Surface Mount TRANSZORB® Transient Voltage Suppressors



DO-214AB (SMC)

PRIMARY CHARACTERISTICS	
V_{BR}	6.8 V to 220 V
P_{PPM}	1500 W
P_D	6.5 W
I_{FSM} (uni-directional only)	200 A
T_J max.	150 °C

MECHANICAL DATA

Case: DO-214AB (SMC)

Epoxy meets UL 94V-0 flammability rating

Terminals: Matte tin plated leads, solderable per J-STD-002B and JESD22-B102D

E3 suffix for commercial grade, HE3 suffix for high reliability grade (AEC Q101 qualified)

Polarity: For uni-directional types the band denotes cathode end, no marking on bi-directional types

DEVICES FOR BI-DIRECTION APPLICATIONS

For bi-directional devices use CA suffix (e.g. SM15T12CA).

Electrical characteristics apply in both directions.

FEATURES

- Low profile package
- Ideal for automated placement
- Glass passivated chip junction
- 1500 W peak pulse power capability with a 10/1000 μ s waveform
- Available in uni-directional and bi-directional
- Excellent clamping capability
- Low inductance
- Meets MSL level 1, per J-STD-020C, LF max peak of 260 °C
- Solder dip 260 °C, 40 seconds
- Component in accordance to RoHS 2002/95/EC and WEEE 2002/96/EC



APPLICATION NOTES

A 1500 W (SMC) device is normally selected when the threat of transients is from lightning induced transients, conducted via external leads or I/O lines. It is also used to protect against switching transients induced by large coils or industrial motors. Source impedance at component level in a system is usually high enough to limit the current within the peak pulse current (I_{PP}) rating of this series. In an overstress condition, the failure mode is a short circuit.

TYPICAL APPLICATIONS

Use in sensitive electronics protection against voltage transients induced by inductive load switching and lighting on ICs, MOSFET, signal lines of sensor units for consumer, computer, industrial, automotive and telecommunication.

MAXIMUM RATINGS ($T_A = 25$ °C unless otherwise noted)			
PARAMETER	SYMBOL	LIMIT	UNIT
Peak pulse power dissipation with a 10/1000 μ s waveform ⁽¹⁾⁽²⁾ (Fig. 1)	P_{PPM}	1500	W
Peak power pulse current with a 10/1000 μ s waveform ⁽¹⁾ (Fig. 3)	I_{PPM}	See next table	A
Power dissipation on infinite heatsink $T_A = 50$ °C	P_D	6.5	W
Peak forward surge current 10 ms single half sine-wave uni-directional only ⁽²⁾	I_{FSM}	200	A
Operating junction and storage temperature range	T_J, T_{STG}	- 65 to + 150	°C

Notes:

(1) Non-repetitive current pulse, per Fig. 3 and derated above $T_A = 25$ °C per Fig. 2

(2) Mounted on 0.31 x 0.31" (8.0 x 8.0 mm) copper pads to each terminal



ELECTRICAL CHARACTERISTICS (T _A = 25 °C unless otherwise noted)												
TYPE (1)	DEVICE MARKING CODE		STAND-OFF VOLTAGE V _{RM} (V)	LEAKAGE CURRENT (3) I _{RM} AT V _R	BREAKDOWN VOLTAGE V _{BR} AT I _T (2) (V)		TEST CURRENT I _T (mA)	CLAMPING VOLTAGE V _C AT I _{PP} (10/1000 μs)		CLAMPING VOLTAGE V _C AT I _{PP} (8/20 μs)		α _T Max 10 ⁻⁴ /°C
	UNI	BI			MIN	MAX		(V)	(A)	(V)	(A)	
SM15T6V8A	GDE7	GDE7	5.80	1000	6.45	7.14	10	10.5	143	13.4	746	5.7
SM15T7V5A	GDK7	BDK7	6.40	500	7.13	7.88	10	11.3	132	14.5	690	6.1
SM15T10A	GDT7	BDT7	8.55	10.0	9.50	10.5	1.0	14.5	103	18.6	538	7.3
SM15T12A	GDX7	BDX7	10.2	5.0	11.4	12.6	1.0	16.7	90.0	21.7	461	7.8
SM15T15A	GEG7	GEG7	12.8	1.0	14.3	15.8	1.0	21.2	71.0	27.2	368	8.4
SM15T18A	GEM7	BEM7	15.3	1.0	17.1	18.9	1.0	25.2	59.5	32.5	308	8.8
SM15T22A	GET7	BET7	18.8	1.0	20.9	23.1	1.0	30.6	49.0	39.3	254	9.2
SM15T24A	GEV7	GEV7	20.5	1.0	22.8	25.2	1.0	33.2	45.0	42.8	234	9.4
SM15T27A	GEX7	BEX7	23.1	1.0	25.7	28.4	1.0	37.5	40.0	48.3	207	9.6
SM15T30A	GFE7	BFE7	25.6	1.0	28.5	31.5	1.0	41.5	36.0	53.5	187	9.7
SM15T33A	GFG7	GFG7	28.2	1.0	31.4	34.7	1.0	45.7	33.0	59.0	169	9.8
SM15T36A	GFK7	BFK7	30.8	1.0	34.2	37.8	1.0	49.9	30.0	64.3	156	9.9
SM15T39A	GFM7	BFM7	33.3	1.0	37.1	41.0	1.0	53.9	28.0	69.7	143	10.0
SM15T68A	GGG7	GGG7	58.1	1.0	64.6	71.4	1.0	92.0	16.3	121	83	10.4
SM15T100A	GGV7	GGV7	85.5	1.0	95.0	105	1.0	137	11.0	178	56	10.6
SM15T150A	GHK7	GHK7	128	1.0	143	158	1.0	207	7.20	265	38	10.8
SM15T200A	GHR7	GHR7	171	1.0	190	210	1.0	274	5.50	353	28	10.8
SM15T220A	GHR8	GHR8	188	1.0	209	231	1.0	328	4.60	388	26	10.8

Notes:

- (1) For bi-directional devices add suffix "CA" instead of "A"
- (2) V_{BR} measured after I_T applied for 300 μs square wave pulse
- (3) For bipolar devices with V_R = 10 V or under, the I_T limit is doubled

THERMAL CHARACTERISTICS (T _A = 25 °C unless otherwise noted)			
PARAMETER	SYMBOL	VALUE	UNIT
Typical thermal resistance, junction to ambient air (1)	R _{θJA}	75	°C/W
Typical thermal resistance, junction to leads	R _{θJL}	15	°C/W

Note:

- (1) Mounted on minimum recommended pad layout

ORDERING INFORMATION (Example)				
PREFERRED P/N	UNIT WEIGHT (g)	PREFERRED PACKAGE CODE	BASE QUANTITY	DELIVERY MODE
SM15T10A-E3/57T	0.211	57T	850	7" diameter plastic tape and reel
SM15T10A-E3/9AT	0.211	9AT	3500	13" diameter plastic tape and reel
SM15T10AHE3/57T (1)	0.211	57T	850	7" diameter plastic tape and reel
SM15T10AHE3/9AT (1)	0.211	9AT	3500	13" diameter plastic tape and reel

Note:

- (1) Automotive grade AEC Q101 qualified

RATINGS AND CHARACTERISTICS CURVES

($T_A = 25\text{ }^\circ\text{C}$ unless otherwise noted)

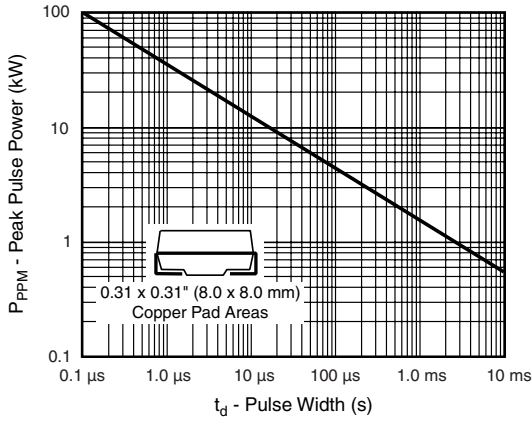


Figure 1. Peak Pulse Power Rating Curve

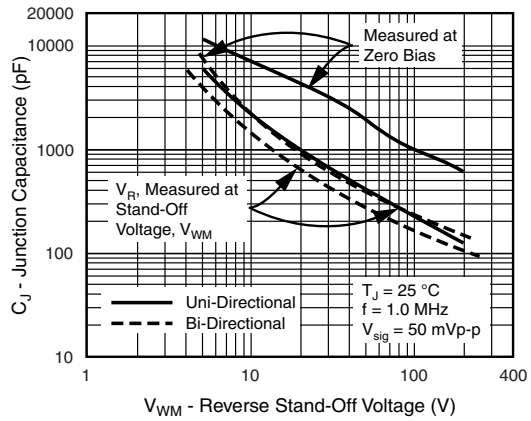


Figure 4. Typical Junction Capacitance Uni-Directional

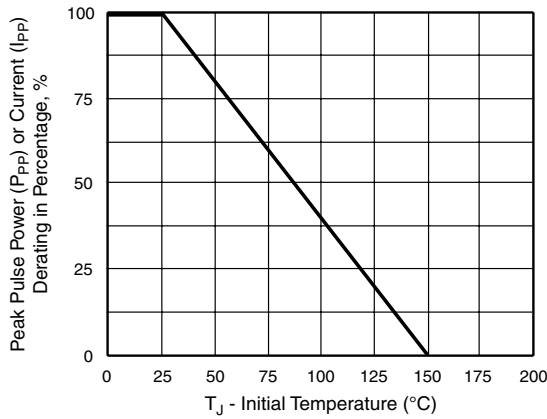


Figure 2. Pulse Power or Current vs. Initial Junction Temperature

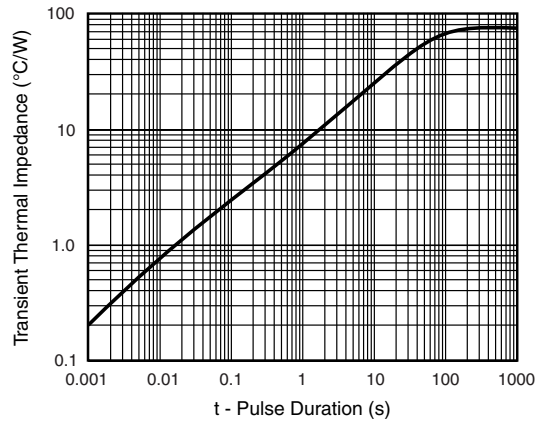


Figure 5. Typical Transient Thermal Impedance

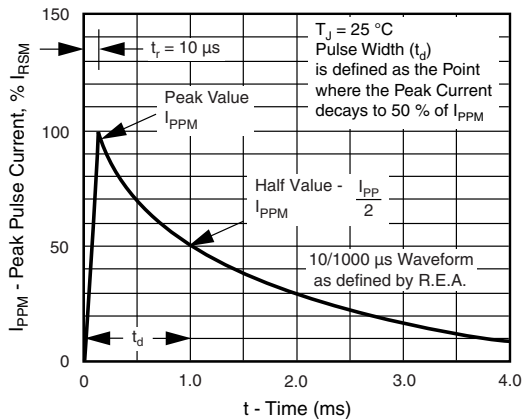


Figure 3. Pulse Waveform

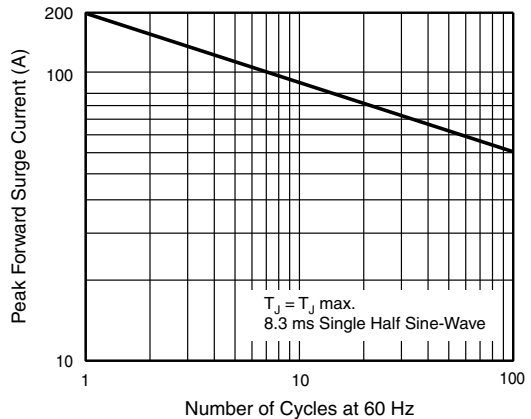
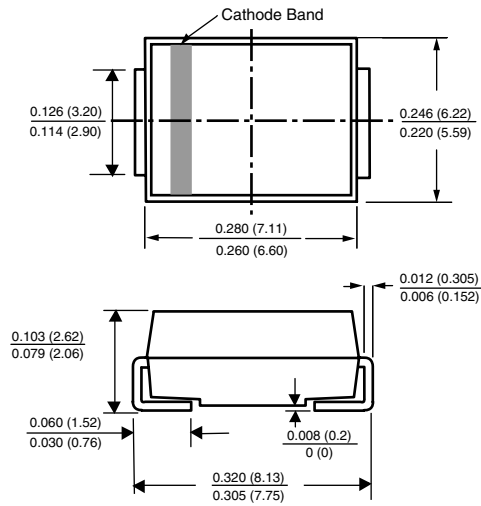


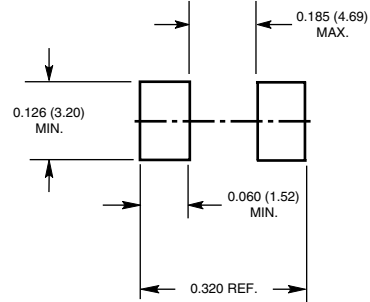
Figure 6. Maximum Non-Repetitive Forward Surge Current Uni-Directional Use Only

PACKAGE OUTLINE DIMENSIONS in inches (millimeters)

DO-214AB (SMC)



Mounting Pad Layout





Disclaimer

All product specifications and data are subject to change without notice.

Vishay Intertechnology, Inc., its affiliates, agents, and employees, and all persons acting on its or their behalf (collectively, "Vishay"), disclaim any and all liability for any errors, inaccuracies or incompleteness contained herein or in any other disclosure relating to any product.

Vishay disclaims any and all liability arising out of the use or application of any product described herein or of any information provided herein to the maximum extent permitted by law. The product specifications do not expand or otherwise modify Vishay's terms and conditions of purchase, including but not limited to the warranty expressed therein, which apply to these products.

No license, express or implied, by estoppel or otherwise, to any intellectual property rights is granted by this document or by any conduct of Vishay.

The products shown herein are not designed for use in medical, life-saving, or life-sustaining applications unless otherwise expressly indicated. Customers using or selling Vishay products not expressly indicated for use in such applications do so entirely at their own risk and agree to fully indemnify Vishay for any damages arising or resulting from such use or sale. Please contact authorized Vishay personnel to obtain written terms and conditions regarding products designed for such applications.

Product names and markings noted herein may be trademarks of their respective owners.