

SX-10WG 802.11g/b Wireless Mini PCI Module



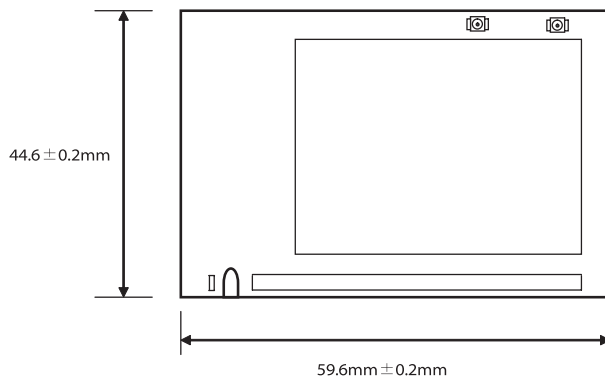
For Reliable Embedded Wi-Fi Connectivity

Experience the Quality Global OEMs Trust

Key Features:

- Maximum data transfer rate 54Mbps
- Powered by the Atheros AR5005G chipset
 - Highly Integrated all CMOS, single-chip IEEE 802.11g/b compliant
 - Includes a 2.4 GHz radio, analog-to-digital and digital-to-analog (ADC/DAC) converters, baseband processors, multi-protocol media access control (MAC), high speed UART and a PCI/CardBus host interface
- Includes 2dBi antenna and supports diversity antenna configurations
- Meets a wide range of global regulatory certifications / standards
 - ARIB STD-T66 FC
 - RCR STD-33
 - EU Directive R&TTE (EN300 328, EN60950)
 - RoHS (Restriction on Hazardous Substances) compliant
 - FCC Part 15 Subpart C
 - IC RSS210
- Limited modular certification in U.S. and Canada
- Superior quality from the Silex ISO 9001/2000 certified facility

Dimensions:



Silex embedded technology:

Silex Technology is a 30-year developer of external and embedded device-device connectivity products. Silex has become the world's #1 supplier of print server products over the past 10 years, helping global OEMs improve the way they move information. Silex advantages for OEMs include a U.S.-based support team, industry-leading software solutions like our NSS security suite, and exceptional Japanese quality manufacturing.

Specifications:

Product Name	SX-10WG 802.11b/g Compliant Mini PCI Wireless LAN Module	
Chipset	Atheros AR5005G	
Antenna Connector	2 x U-FL Connector	
Operating Voltage	3.3V ± 0.3V	
Radio Output	11g mode: Channel 1: 12 dBm; channel 2: 16dBm; channels 3-4: 15.5dBm; channels 5-7: 15dBm; channels 8-10: 14.5 dBm; channels 11-13: 14dBm 11b mode: 1-14ch: 16dBm	
Power Consumption	11g transmit: 3.3V 360mA typical 11g Receive: 3.3V 290mA typical 500mA max 11b transmit: 3.3V 350mA typical 11b receive :3.3V 215mA typical Sleep mode: 20mA	
Weight	12g	
Dimensions	44.6 x 59.6 x 4mm	Thickness of PCB 1.0mm
Storage Conditions	Storage Temperature -10 to +70°C	Storage Humidity 5 to 90%RH
Operating Conditions	Operating Temperature 0 to +60°C	Operating Humidity 20 to 90%RH
Device Configuration	PCBA, Sticker, E/A Sticker	

Silex Technology is a registered trademark of Silex Technology, Inc. Other product or brand names may be registered trademarks or trademarks of their respective owners. Technical information and specifications are subject to change without notice. ©2007 Silex Technology, Inc. All rights reserved

silex global sales & support locations