



## PRELIMINARY

## Anaren Integrated Radio 1101 Series



### A1101R08A

The A1101R08A is a high-performance, ETSI compliant radio module that incorporates the Texas Instruments CC1101 transceiver chip in the industry's smallest package (9 x 16 x 2.5mm).

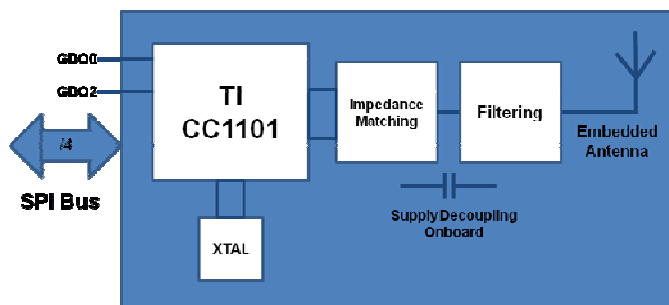
### Features

- Frequency range: 865-868 MHz
- ETSI compliant, shielded package
- Digital RSSI output
- Programmable output power up to +10dBm
- High sensitivity (-112 dBm at 1.2 kBaud, 868 MHz 1% packet error rate)
- Ultra-small package size 9 x 16 x 2.5mm
- LGA footprint
- RoHS compliant
- Operating temperature -40 to +85C
- Impedance-controlled, multi-layer PCB
- 1.8 to 3.6 VDC
- Low current consumption (15 mA in RX, 1.2 kBaud, 868 MHz )
- 200 nA sleep mode current consumption
- Efficient SPI interface; all registers can be programmed with one "burst" transfer
- Available in tape & reel and matrix tray

### Benefits

- No RF engineering experience necessary
- No additional EN 300 328 / EN 300 440, EN 301 489 testing required
- Minimal real estate required
- Easily implemented on a two layer PCB
- No additional harmonic filtering required
- 100% RF-tested in production
- Common footprint for product family
- No additional DC decoupling required
- Integrated analog temperature sensor
- Excellent receiver selectivity and blocking performance
- Suitable for frequency hopping systems, thanks to a fast-settling frequency synthesizer with 90  $\mu$ s settling time
- Impedance-matched balun for optimized efficiency
- Support for asynchronous and synchronous serial receive/transmit mode for backwards compatibility with existing radio communication protocols

### Block diagram



**PLEASE NOTE:** Additional information on the Texas Instruments CC1101 device can be found in the company's latest datasheet release at <http://www.ti.com>



*This product shall not be used in any of the following products or systems without prior express written permission from Anaren Microwave, Inc:*

- implantable cardiac rhythm management systems, including without limitation pacemakers, defibrillators and cardiac resynchronization devices;
- external cardiac rhythm management systems that communicate directly with one or more implantable medical devices; or
- other devices used to monitor or treat cardiac function, including without limitation pressure sensors, biochemical sensors and neurostimulators.



Anaren, Inc. / 6635 Kirkville Road / East Syracuse, NY 13057  
800.411.6596 / <http://www.anaren.com> / [air@anaren.com](mailto:air@anaren.com)



## PRELIMINARY

## Anaren Integrated Radio

### Product overview

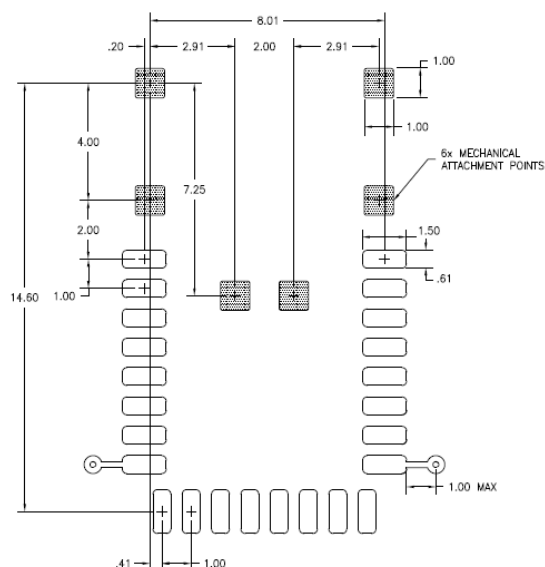
The A1101R08A is a high-performance, ETSI compliant radio module that incorporates the Texas Instruments CC1101 transceiver chip in the industry's smallest package (9 x 16 x 2.5mm) and is compatible with all TI-approved software stacks.

With an LGA pad footprint, this module is designed to effortlessly integrate into a wide range of applications, including: industrial control, building automation, low-power wireless sensor networks, lighting control, and automated meter reading.

The A1101R08A has an RoHS-compliant ENIG finish and is packaged on tape and reel for high-volume automated manufacturing.

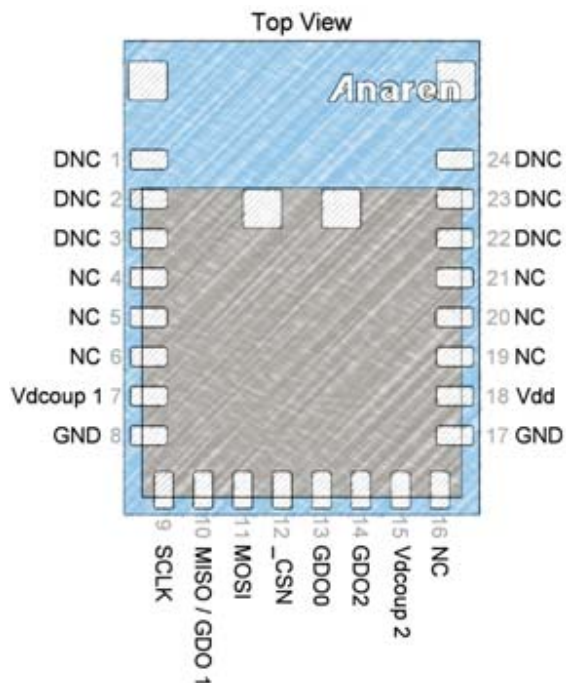
### Footprint

Refer to User's Manual for additional layout guidelines.  
Dimensions in mm.



### Pin diagram

DNC = Do Not Connect



### Nomenclature

# A1101R08A00GR

- |               |              |                  |               |                                       |                                  |               |
|---------------|--------------|------------------|---------------|---------------------------------------|----------------------------------|---------------|
| 1             | 2            | 3                | 4             | 5                                     | 6                                | 7             |
| A             | 1            | R                | 08            | 00                                    | G                                | R             |
| (Anaren)      | (1101, 2500) | (R = radio only) | (x100MHz)     | (A = Internal Antenna, C = Connector) | (00 = Default)                   | (G = General) |
| 1 Chip series | 2 Function   | 3 Frequency band | 4 Form factor | 5 Design ID                           | 6 Application                    | 7 Packaging   |
|               |              |                  |               |                                       | (R = Tape/Reel, M = Matrix Tray) |               |



Caution! ESD sensitive device. Precautions should be used when handling the device in order to prevent permanent damage.



Anaren, Inc. / 6635 Kirkville Road / East Syracuse, NY 13057  
800.411.6596 / <http://www.anaren.com> / [air@anaren.com](mailto:air@anaren.com)