

# Mixed Signal Daughter Card Quickstart Card

This daughter card is designed for connection to the mixed signal header on the SmartFusion™ Evaluation Kit (A2F-EVAL-KIT) or Development Kit (A2F200-DEV-KIT or A2F500-DEV-KIT).

The board comes with rubber feet attached. If it is being used with the development kit, the standoffs supplied in the box can be attached to match board height.

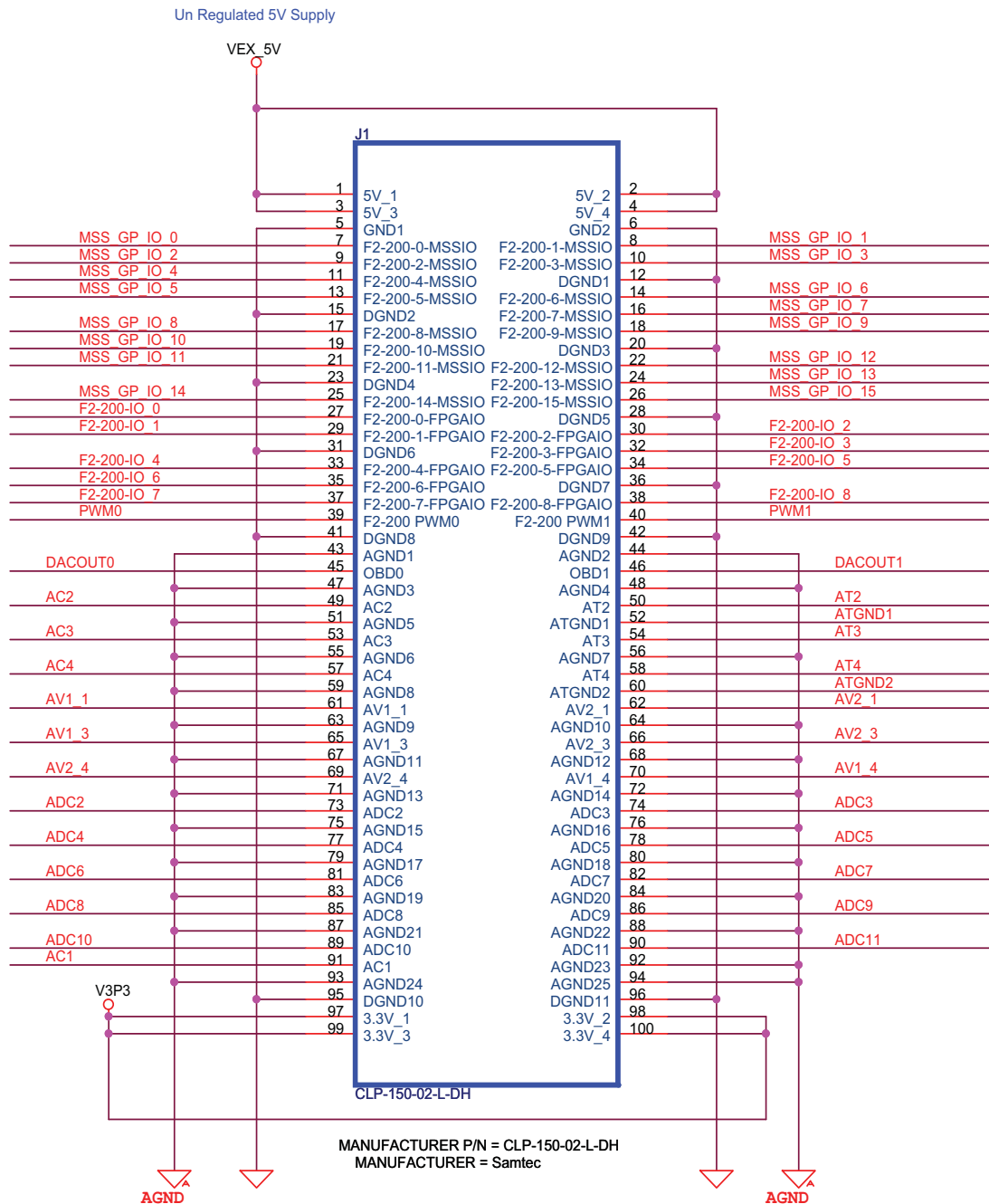
Test point signals are listed below:

Test Point	Signal	Test Point	Signal	Test Point	Signal
TP1	MSS_GP_IO_0	TP21	F2-200-IO_4	TP41	AV2_4
TP2	MSS_GP_IO_1	TP22	F2-200-IO_5	TP42	AV2_3
TP3	MSS_GP_IO_2	TP23	F2-200-IO_6	TP43	ADC2
TP4	MSS_GP_IO_3	TP24	F2-200-IO_8	TP44	AV1_4
TP5	MSS_GP_IO_4	TP25	F2-200-IO_7	TP45	ADC4
TP6	MSS_GP_IO_5	TP26	PWM1	TP46	ADC3
TP7	MSS_GP_IO_6	TP27	PWM0	TP47	ADC6
TP8	MSS_GP_IO_7	TP28	DACOUT1	TP48	ADC5
TP9	MSS_GP_IO_8	TP29	DACOUT0	TP49	ADC8
TP10	MSS_GP_IO_9	TP30	AT2	TP50	ADC7
TP11	MSS_GP_IO_10	TP31	AC2	TP51	ADC10
TP12	MSS_GP_IO_12	TP32	ATGND1	TP52	ADC9
TP13	MSS_GP_IO_11	TP33	AC3	TP53	AC1
TP14	MSS_GP_IO_13	TP34	AT3	TP54	ADC11
TP15	MSS_GP_IO_14	TP35	AC4	TP55	VEX_5V
TP16	MSS_GP_IO_15	TP36	AT4	TP56	V3P3
TP17	F2-200-IO_0	TP37	AV1_1	TP57	GND
TP18	F2-200-IO_2	TP38	ATGND2	TP58	GND
TP19	F2-200-IO_1	TP39	AV1_3		
TP20	F2-200-IO_3	TP40	AV2_1		

## Mixed Signal Daughter Card Quickstart Card

The mixed signal connector connects directly to the SmartFusion Evaluation Kit or Development Kit mixed signal header.

### Mixed Signal Connector

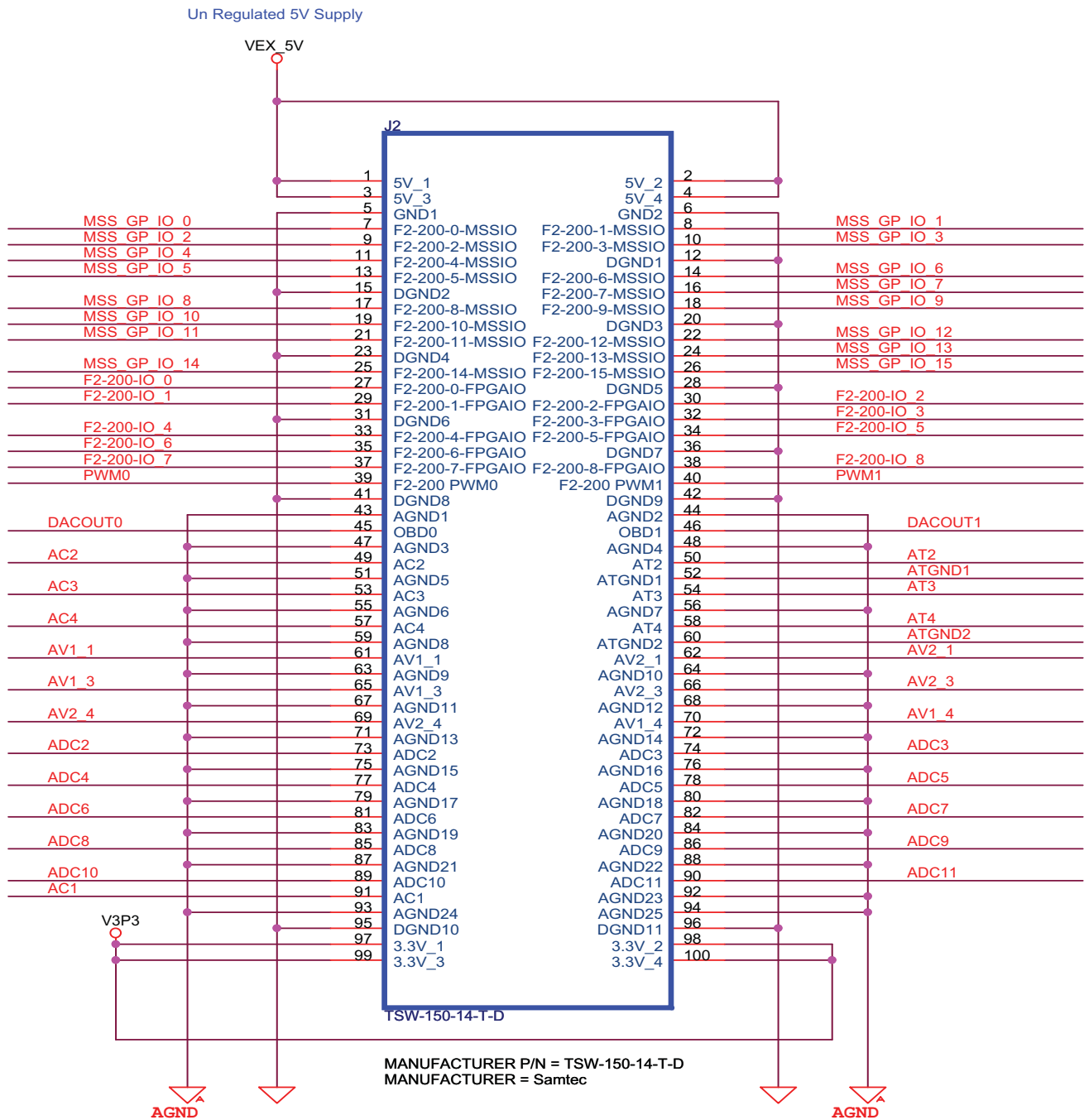


Matting connector " FTSH-150-01-L-D-RA "

## Mixed Signal Daughter Card Quickstart Card

This second connector can be used to probe signals or build add on connectors. It does not connect to any other Actel-specific hardware.

### Break Out Board - Signal Connector



## Software and Licensing

Go to the Actel website ([www.actel.com](http://www.actel.com)) for the latest Actel Libero<sup>®</sup> Integrated Design Environment (IDE) Software and request a free gold license to activate your software.

Software releases: [www.actel.com/download/software/libero](http://www.actel.com/download/software/libero)

Licensing: [www.actel.com/Portal/DPortal.aspx?v=24](http://www.actel.com/Portal/DPortal.aspx?v=24)

## Documentation Resources

For further information, including user's guide, tutorial, and full design examples, refer to the SmartFusion Kit pages:

SmartFusion Evaluation Kit

[www.actel.com/products/hardware/devkits\\_boards/smartfusion\\_eval.aspx](http://www.actel.com/products/hardware/devkits_boards/smartfusion_eval.aspx)

SmartFusion Development Kit

[www.actel.com/products/hardware/devkits\\_boards/smartfusion\\_dev.aspx](http://www.actel.com/products/hardware/devkits_boards/smartfusion_dev.aspx)

SmartFusion Mixed Signal Daughter Card

[www.actel.com/products/hardware/devkits\\_boards/mpm\\_dc.aspx](http://www.actel.com/products/hardware/devkits_boards/mpm_dc.aspx)

## Technical Support and Contacts

Technical support is available online at [www.actel.com/support](http://www.actel.com/support), by email at [tech@actel.com](mailto:tech@actel.com), or by phone:

Phone (NA): 800.262.1060

Phone (Int'l): +1 650.318.4460

Actel Sales offices, including Representatives and Distributors, are located worldwide. To find your local representative go to: [www.actel.com/company/contact](http://www.actel.com/company/contact).