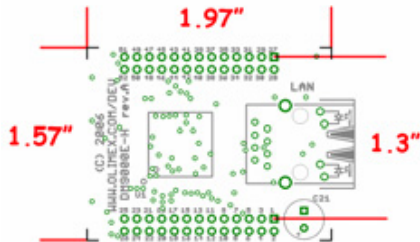




**DM9000E-H** is low cost 10/100 Mbit Ethernet controller development board based on DM9000EP with flexible options to be addressed with 8-16-32 bit data buses microcontrollers and support for MDI-X. The compact size of 50x40 mm and the 0.1" step connectors make this board perfect for prototyping.

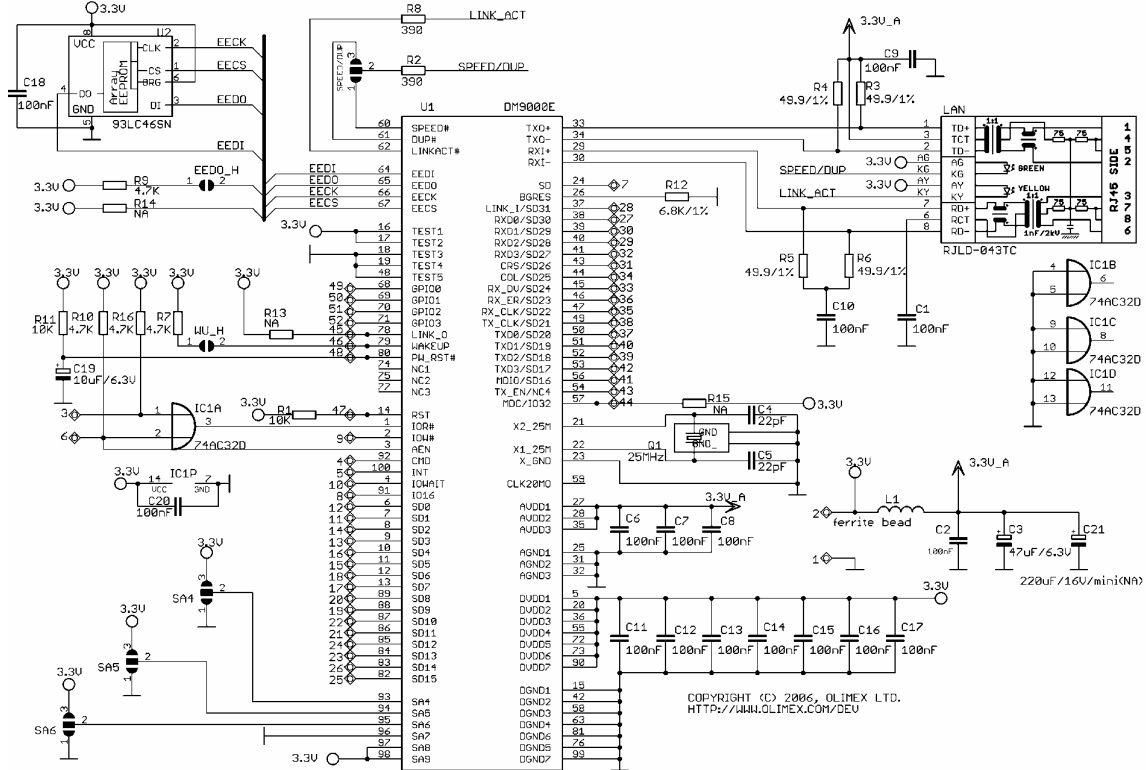
The module features are:

- **DM9000EP** 10-100 Mbit Ethernet controller
- on-board RJ45 connector with built in Ethernet transformer and two status LEDs
- easy interface to 8-16-32-bit data bus with SMD jumpers (default set at 32-bit)
- compact size in DIL 2x26 pin format, the distance between pin rows is 1.3"
- PCB: FR-4, 1.5 mm (0,062"), green soldermask, white silkscreen component print
- Dimensions: 50x40 mm (1.97x1.57")



Sample code for driving DM9000E-H with LPC2294 microcontrollers is available on our web page.

DM9000E-H schematic:



Copyright(C) 2006, OLIMEX Ltd. All rights reserved.  
<http://www.olimex.com/dev>