



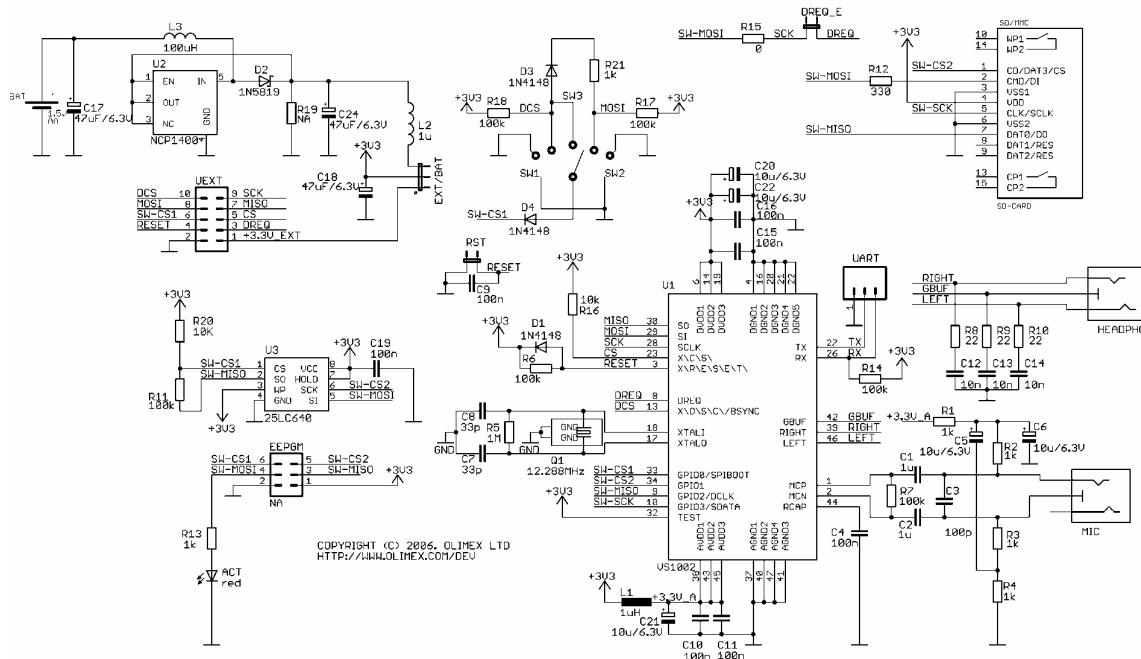
MOD-MP3 is low power MP3 player module based on VS1002 hardware decoder for MPEG 1 & 2 audio layer 3 (ISO 11172-3), MP3+V, WAV and PCM files ; supports ADPCM encoding and decoding ; supports VBR (variable bit rate) for MP3; Supports streaming
 MOD-MP3 can work as stand alone MP3 player with single cell 1.5V battery and on board SD/MMC card, but can be connected as slave device to host microcontroller.

The module features are:

- **VS1002** hardware decoder for MPEG 1 & 2 audio layer 3
- plays **MP3, WAV, PCM** files
- for **MP3** supports variable bit rate and streaming
- very low power, works from single **1.5V battery cell**
- Stereo Audio output for headphones
- Stereo Audio input for microphone, **ADPCM** encoding and decoding
- On board **UEXT** connector for connection to host microcontroller – in slave mode it will play the bit stream from the host microcontroller which opens possibilities for easy adding voice to industrial applications, toys, robots etc.
- On board (on back side) **SD/MMC** card connector
- Can work as **MP3 player** without need for host microcontroller in stand-alone mode booting the VS1002 firmware from on-board EEPROM, in this mode the on board 3 action lever switch can perform Pause/Play, Forward and Reverse action
- PCB: FR-4, 1.5 mm (0,062"), red soldermask, white silkscreen component print
- Dimensions: 57x45 mm (2.2x1.8")

Sample code for driving MOD-MP3 in slave mode with LPC-P2148 board connected to UEXT is available on our web page www.olimex.com/dev

Schematic:



Copyright © 2006, OLIMEX Ltd. All right reserved.
<http://www.olimex.com/dev>