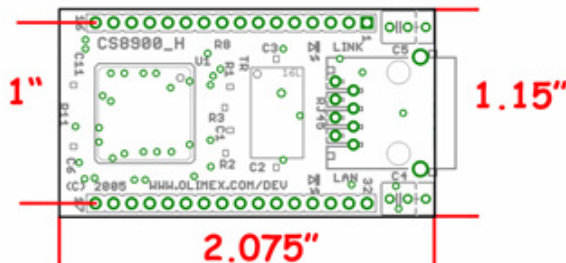


**CS8900A-H** is low cost development board with the popular Cirrus Logic CS8900A-CQ3 Ethernet controller. It allow easy to interface any microcontroller with 8 and 16 bit width data bus width, and support both polling and interrupts. Two SMD LEDs show LAN connection and LINK status.

The module features are:

- **CS8900A-CQ3** 10 Mbit Ethernet controller
- on-board Ethernet transformer and RJ45 connector
- easy interface to any microcontroller, supports 8 and 16 bit data bus width
- compact size in DIL 32 pin format, the distance between pin rows is 1"
- supports polling and interrupts data transfer requests
- PCB: FR-4, 1.5 mm (0,062"), green soldermask, white silkscreen component print
- Dimensions: 57x29 mm (2.075x1.15")

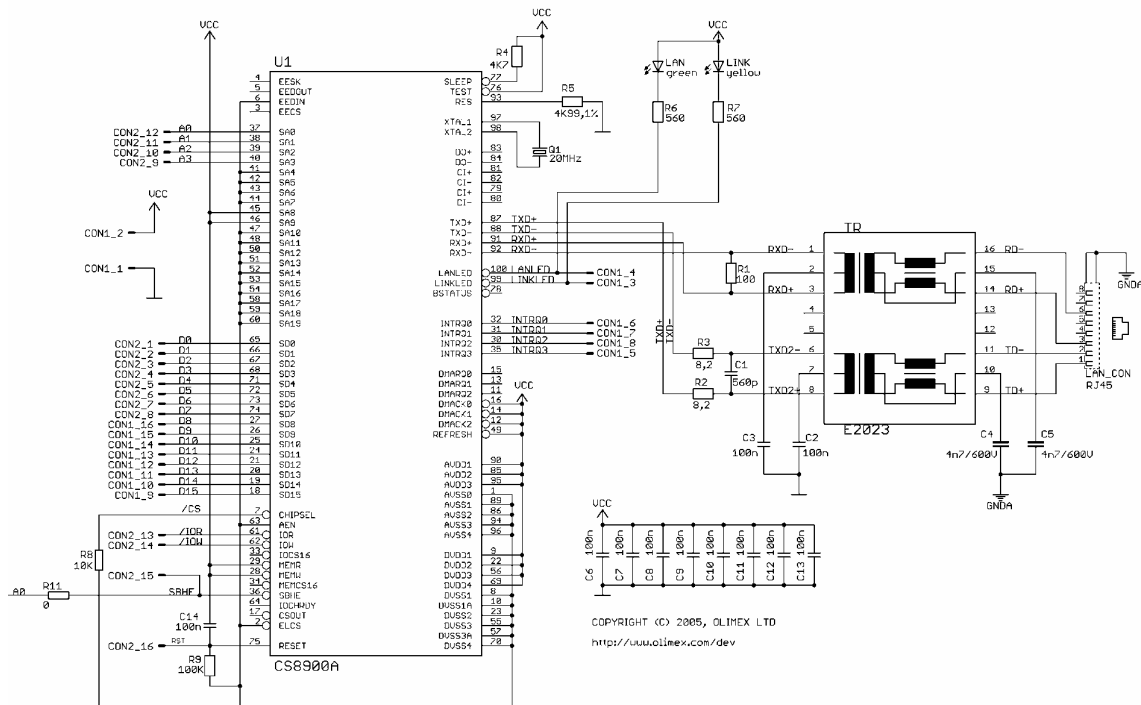


PIN assignments:

- PIN1 (board) = CON1\_1 (schematic)
- PIN16 (board) = CON1\_16 (schematic)
- PIN17 (board) = CON2\_1 (schematic)
- PIN32 (board) = CON2\_16 (schematic)

Sample code for driving CS8900A-H with MSP430F149 is available on our web page.

Schematic:



Copyright © 2006, OLIMEX Ltd. All right reserved.  
<http://www.olimex.com/dev>