



# STEVAL-IHM030V1

24 V brushed DC motor up to 2 kW  
based on the STM8S208MB

Data brief

## Features

- Bidirectional drive for a 24 V brushed DC motor up to 2 kW
- Configurable PI closed speed loop
- Motor commands and PI parameter messages via CAN bus
- H-bridge topology
- Efficient power dissipation with power MOSFETs mounted on a dedicated IMS layer
- Programming and debug capability
- Security functions: current and voltage bus monitoring
- RoHS compliant



STEVAL-IHM030V1

## Description

The STEVAL-IHM030V1 is a brushed DC motor (BDC) demonstration kit which presents a 24 V, up to 2 kW brushed DC motor drive solution.

A typical application for this solution is in traction systems.

The kit contains two stacked modular boards: a power stage board and a control board. It is a compact solution and provides efficient power dissipation due to the mounting of the power MOSFET on a dedicated IMS layer.

The brain of the system is the STM8S208MB 8-bit microcontroller, which drives the full H-bridge topology, implements the PI closed loop control speed, manages the encoder signal feedback using the dedicated timer peripheral, and manages the motor commands and PI configuration messages through the CAN bus.

# 1 Schematic diagrams

Figure 1. Power supply section

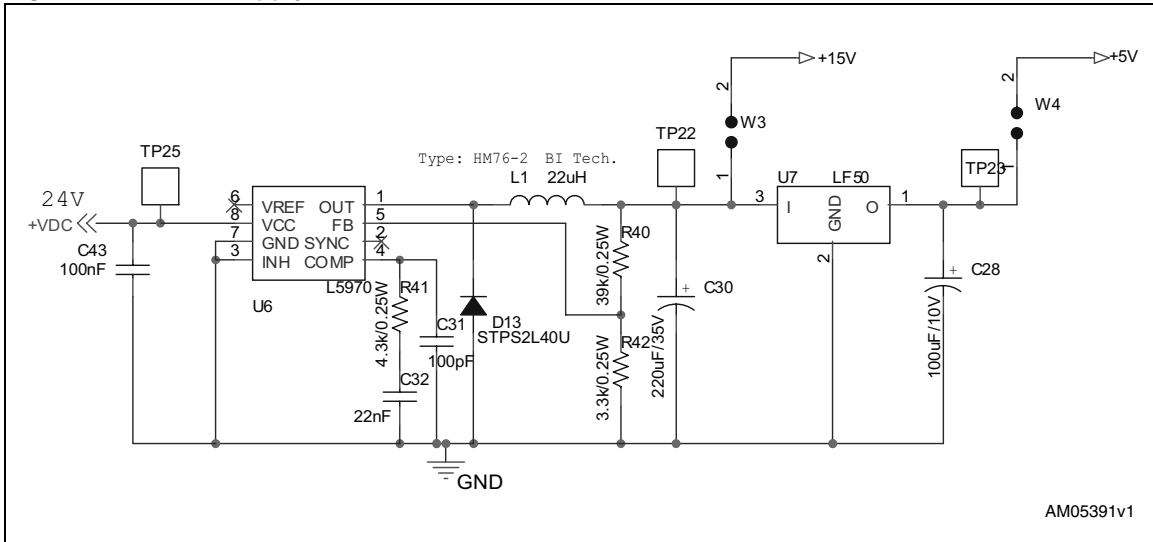
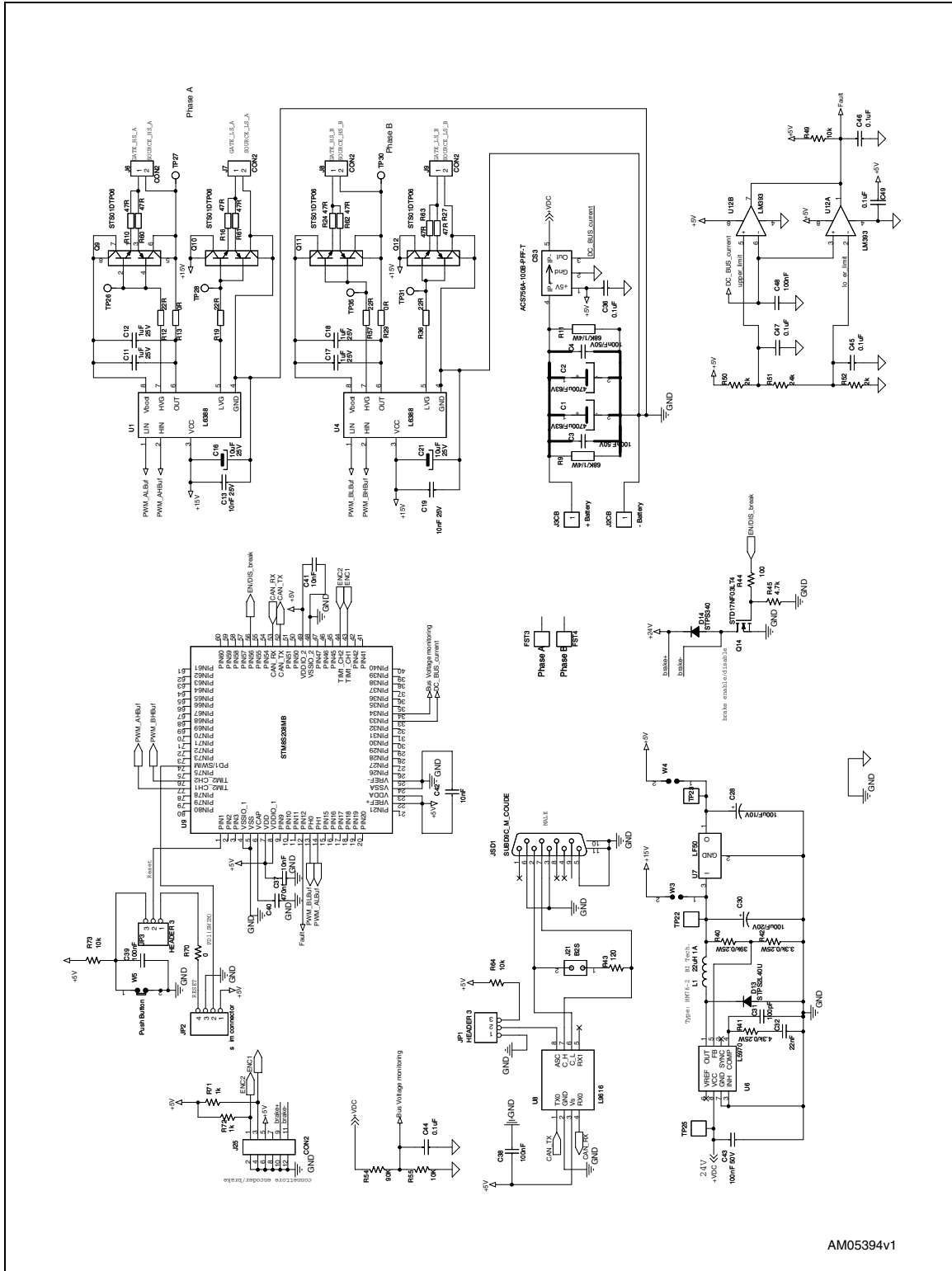


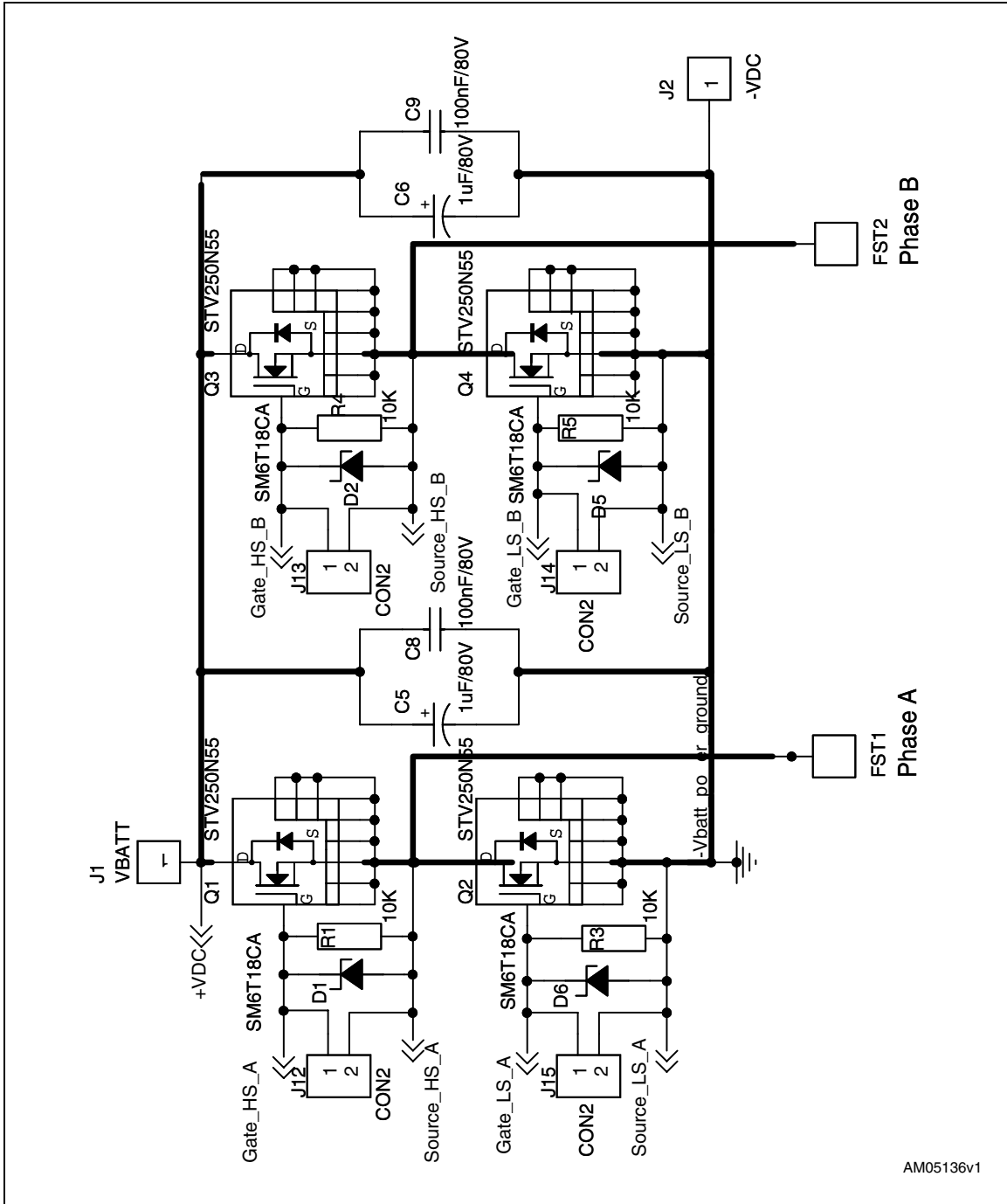
Figure 2. Control board



AM05394v1



Figure 3. Power board



## 2 Revision history

**Table 1. Document revision history**

Date	Revision	Changes
27-Apr-2010	1	Initial release.

**Please Read Carefully:**

Information in this document is provided solely in connection with ST products. STMicroelectronics NV and its subsidiaries ("ST") reserve the right to make changes, corrections, modifications or improvements, to this document, and the products and services described herein at any time, without notice.

All ST products are sold pursuant to ST's terms and conditions of sale.

Purchasers are solely responsible for the choice, selection and use of the ST products and services described herein, and ST assumes no liability whatsoever relating to the choice, selection or use of the ST products and services described herein.

No license, express or implied, by estoppel or otherwise, to any intellectual property rights is granted under this document. If any part of this document refers to any third party products or services it shall not be deemed a license grant by ST for the use of such third party products or services, or any intellectual property contained therein or considered as a warranty covering the use in any manner whatsoever of such third party products or services or any intellectual property contained therein.

**UNLESS OTHERWISE SET FORTH IN ST'S TERMS AND CONDITIONS OF SALE ST DISCLAIMS ANY EXPRESS OR IMPLIED WARRANTY WITH RESPECT TO THE USE AND/OR SALE OF ST PRODUCTS INCLUDING WITHOUT LIMITATION IMPLIED WARRANTIES OF MERCHANTABILITY, FITNESS FOR A PARTICULAR PURPOSE (AND THEIR EQUIVALENTS UNDER THE LAWS OF ANY JURISDICTION), OR INFRINGEMENT OF ANY PATENT, COPYRIGHT OR OTHER INTELLECTUAL PROPERTY RIGHT.**

**UNLESS EXPRESSLY APPROVED IN WRITING BY AN AUTHORIZED ST REPRESENTATIVE, ST PRODUCTS ARE NOT RECOMMENDED, AUTHORIZED OR WARRANTED FOR USE IN MILITARY, AIR CRAFT, SPACE, LIFE SAVING, OR LIFE SUSTAINING APPLICATIONS, NOR IN PRODUCTS OR SYSTEMS WHERE FAILURE OR MALFUNCTION MAY RESULT IN PERSONAL INJURY, DEATH, OR SEVERE PROPERTY OR ENVIRONMENTAL DAMAGE. ST PRODUCTS WHICH ARE NOT SPECIFIED AS "AUTOMOTIVE GRADE" MAY ONLY BE USED IN AUTOMOTIVE APPLICATIONS AT USER'S OWN RISK.**

Resale of ST products with provisions different from the statements and/or technical features set forth in this document shall immediately void any warranty granted by ST for the ST product or service described herein and shall not create or extend in any manner whatsoever, any liability of ST.

ST and the ST logo are trademarks or registered trademarks of ST in various countries.

Information in this document supersedes and replaces all information previously supplied.

The ST logo is a registered trademark of STMicroelectronics. All other names are the property of their respective owners.

© 2010 STMicroelectronics - All rights reserved

STMicroelectronics group of companies

Australia - Belgium - Brazil - Canada - China - Czech Republic - Finland - France - Germany - Hong Kong - India - Israel - Italy - Japan - Malaysia - Malta - Morocco - Philippines - Singapore - Spain - Sweden - Switzerland - United Kingdom - United States of America

[www.st.com](http://www.st.com)