

# Technical Data Sheet

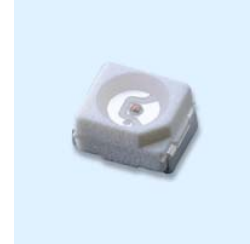
## Top Phototransistor

---

### PT67-21C/L41/TR8

#### Features

- Fast response time
- High photo sensitivity
- Small junction capacitance
- Compatible with infrared and vapor phase reflow solder process.
- Pb free
- The product itself will remain within RoHS compliant version.



#### Descriptions

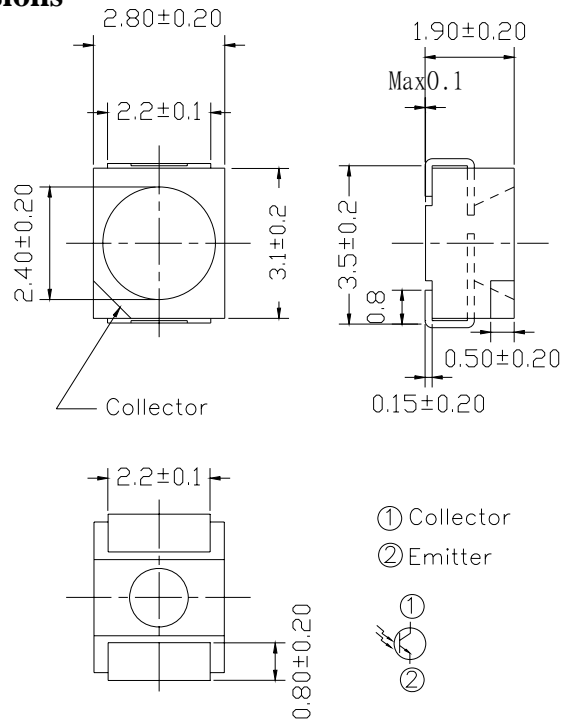
- PT67-21C/L41/TR8 is a high speed silicon NPN epitaxial planar phototransistor in a compact surface-mountable package. It's compatible with automatic placement equipment and can withstand IR reflow, vapor phase reflow , and wave solder processes.

#### Applications

- Miniature switch
- Counters and sorter
- Position sensor
- Infrared applied system
- Encoder

#### Device Selection Guide

| LED Part No. | Chip     | Lens Color  |
|--------------|----------|-------------|
|              | Material |             |
| PT           | Silicon  | Water clear |

**Package Dimensions**


- Notes:** 1.All dimensions are in millimeters  
2.Tolerances unless dimensions  $\pm 0.1\text{mm}$

**Absolute Maximum Ratings (Ta=25°C)**

| Parameter   | Symbol    | Rating    | Units |
|---|-----------|-----------|-------|
| Collector-Emitter Voltage                                   | $V_{CEO}$ | 30        | V     |
| Emitter-Collector-Voltage                                   | $V_{ECO}$ | 5         | V     |
| Collector Current   | $I_C$     | 20        | mA    |
| Operating Temperature                                       | $T_{opr}$ | -25 ~ +85 | °C    |
| Storage Temperature   | $T_{stg}$ | -40 ~ +85 | °C    |
| Soldering Temperature                                       | $T_{sol}$ | 260       | °C    |
| Power Dissipation at(or below)<br>25°C Free Air Temperature | $P_c$     | 75        | mW    |

**Notes:** \*1:Soldering time  $\leq 5$  seconds.

**Electro-Optical Characteristics (Ta=25°C)**

| Parameter                            | Symbol          | Condition                                      | Min | Typ | Max  | Unit    |
|--------------------------------------|-----------------|--|-----|-----|------|---------|
| Rang Of Spectral Bandwidth           | $\lambda_{0.5}$ | ---  | 400 | --- | 1100 | nm      |
| Wavelength Of Peak Sensitivity       | $\lambda_P$     | ---  | --- | 940 | ---  | nm      |
| Collector-Emitter Breakdown Voltage  | $BV_{CEO}$      | $I_C=100\ \mu A$<br>$E_e=0mW/cm^2$             | 30  | --- | ---  | V       |
| Emitter-Collector Breakdown Voltage  | $BV_{ECO}$      | $I_E=100\ \mu A$<br>$E_e=0mW/cm^2$             | 5   | --- | ---  | V       |
| Collector-Emitter Saturation Voltage | $V_{CE(sat)}$   | $I_C=2mA$<br>$E_e=1mW/cm^2$                    | --- | --- | 0.4  | V       |
| Collector Dark Current               | $I_{CEO}$       | $V_{CE}=20V$<br>$E_e=0mW/cm^2$                 | --- | --- | 100  | nA      |
| On State Collector Current           | $I_{C(ON)}$     | $V_{CE}=5V$<br>$E_e=1mW/cm^2$                  | 0.3 | 1.0 | ---  | mA      |
| Rise Time                            | $t_r$           | $V_{CE}=5V$<br>$I_C=1mA$<br>$R_L=1000\ \Omega$ | --- | 15  | ---  | $\mu S$ |
| Fall Time                            | $t_f$           |  | --- | 15  | ---  |         |

**Typical Electro-Optical Characteristics Curves**

Fig.1 Collector Power Dissipation vs. Ambient Temperature

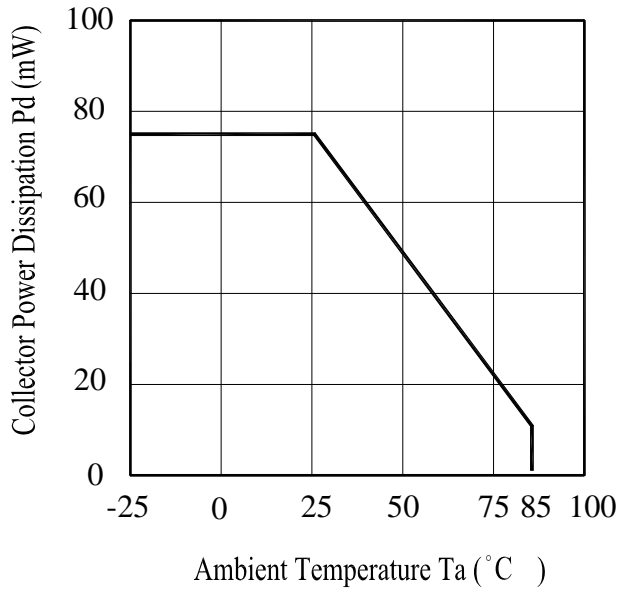


Fig.2 Spectral Sensitivity

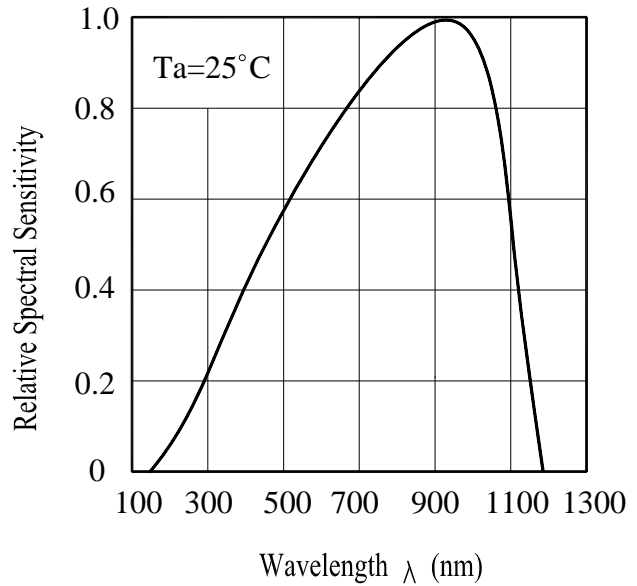


Fig.3 Relative Collector Current vs. Ambient Temperature

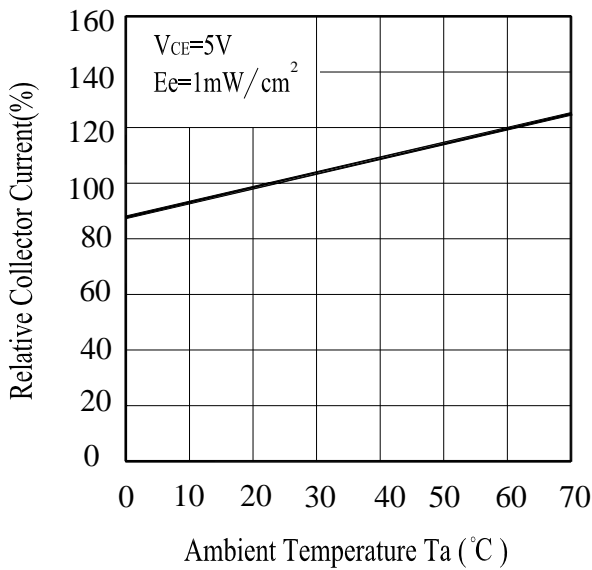
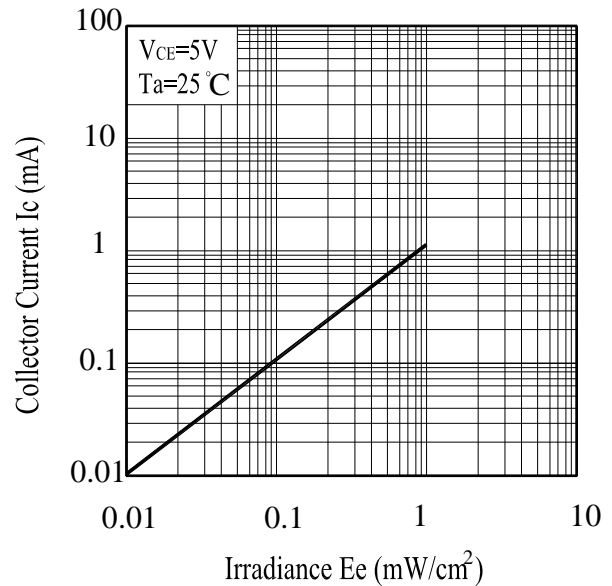


Fig.4 Collector Current vs. Irradiance



**Typical Electro-Optical Characteristics Curves**

Fig.5 Collector Dark Current vs.

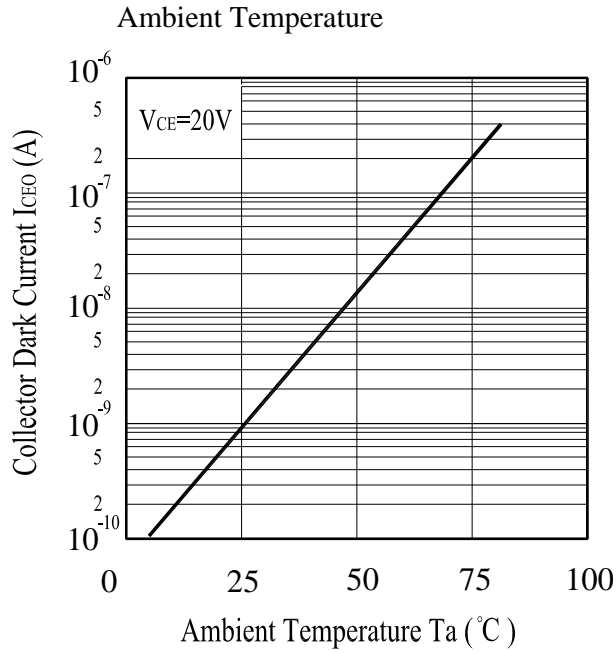
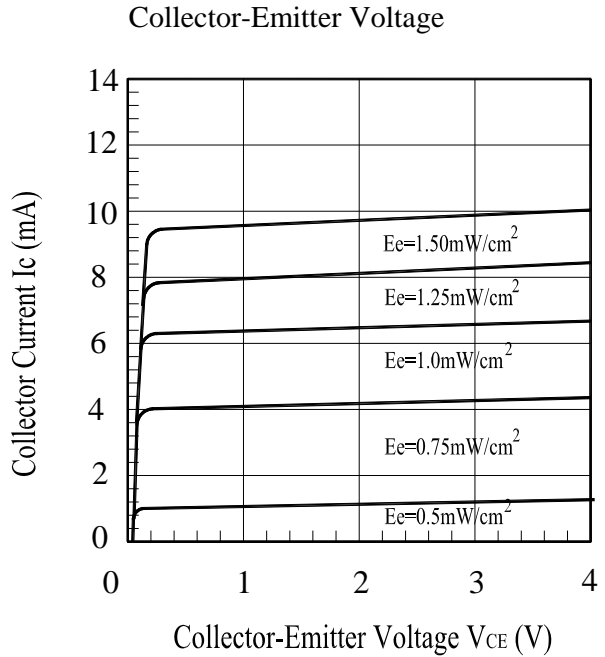


Fig.6 Collector Current vs.



## Precautions For Use

### 1. Over-current-proof

Customer must apply resistors for protection , otherwise slight voltage shift will cause big current change ( Burn out will happen ).

### 2. Storage

2.1 Do not open moisture proof bag before the products are ready to use.

2.2 Before opening the package, the LEDs should be kept at 30°C or less and 90%RH or less.

2.3 The LEDs should be used within a year.

2.4 After opening the package, the LEDs should be kept at 30°C or less and 70%RH or less.

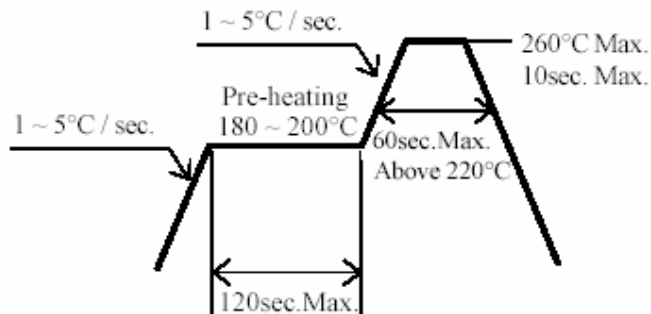
2.5 The LEDs should be used within 168 hours (7 days) after opening the package.

2.6 If the moisture absorbent material (silica gel) has faded away or the LEDs have exceeded the storage time, baking treatment should be performed using the following conditions.

Baking treatment : 60±5°C for 24 hours.

### 3. Soldering Condition

#### 3.1 Pb-free solder temperature profile



3.2 Reflow soldering should not be done more than two times.

3.3 When soldering, do not put stress on the LEDs during heating.

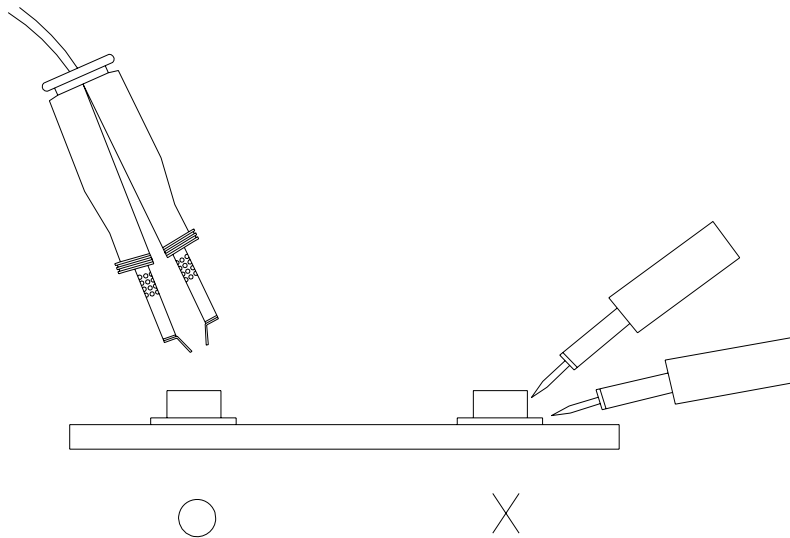
3.4 After soldering, do not warp the circuit board.

#### 4.Soldering Iron

Each terminal is to go to the tip of soldering iron temperature less than 280°C for 3 seconds within once in less than the soldering iron capacity 25W. Leave two seconds and more intervals, and do soldering of each terminal. Be careful because the damage of the product is often started at the time of the hand solder.

#### 5.Repairing

Repair should not be done after the LEDs have been soldered. When repairing is unavoidable, a double-head soldering iron should be used (as below figure). It should be confirmed beforehand whether the characteristics of the LEDs will or will not be damaged by repairing.



**Reliability Test Item And Condition**

The reliability of products shall be satisfied with items listed below.

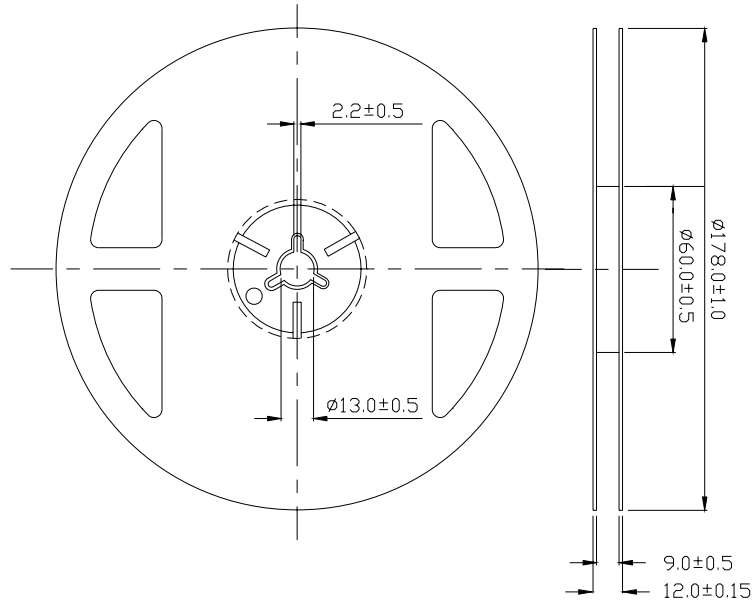
Confidence level : 90%

LTPD : 10%

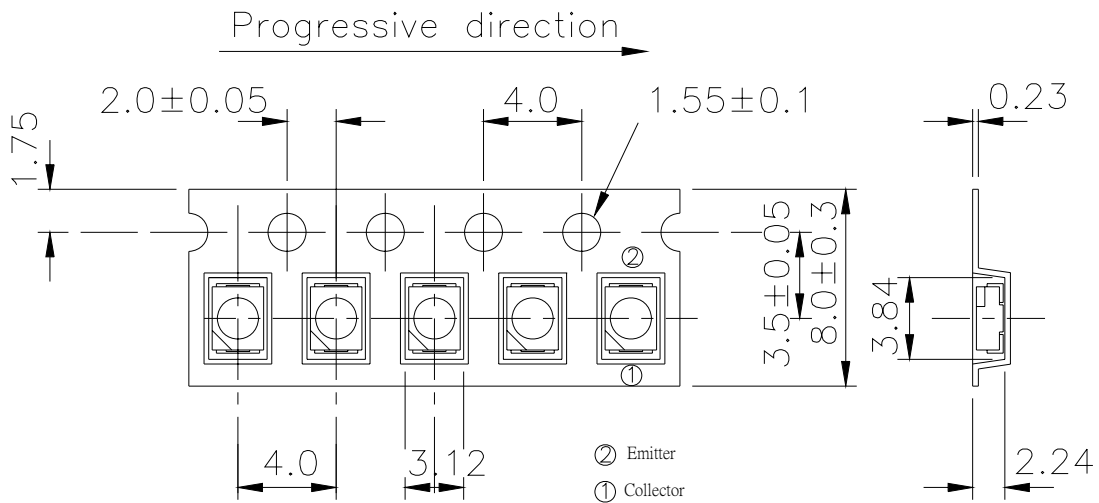
| NO. | Item                               | Test Conditions  | Test Hours/<br>Cycles | Sample<br>Sizes | Failure<br>Judgement<br>Criteria                                     | Ac/Re |
|-----|------------------------------------|--|-----------------------|-----------------|--|-------|
| 1   | REFLOW Soldering                   | TEMP. : 260°C±5°C<br>10secs  | 6Mins                 | 22pcs           | $I_{C(ON)} \leq L \times 0.8$<br>L : Lower<br>Specification<br>Limit | 0/1   |
| 2   | Temperature Cycle                  | H : +100°C    15mins<br>$\updownarrow$<br>5mins<br>L : -40°C    15mins | 50Cycles              | 22pcs           |  | 0/1   |
| 3   | Thermal Shock                      | H : +100°C    5mins<br>$\updownarrow$<br>10secs<br>L : -10°C    5mins  | 50Cycles              | 22pcs           |  | 0/1   |
| 4   | High Temperature Storage           | TEMP. : +100°C   | 1000hrs               | 22pcs           |  | 0/1   |
| 5   | Low Temperature Storage            | TEMP. : -40°C  | 1000hrs               | 22pcs           |  | 0/1   |
| 6   | DC Operating Life                  | $V_{CE}=5V$  | 1000hrs               | 22pcs           |  | 0/1   |
| 7   | High Temperature/<br>High Humidity | 85°C / 85% R.H   | 1000hrs               | 22pcs           |  | 0/1   |



**Package Dimensions**



**Loaded Quantity Per Reel 2000PCS/Reel**




TOLERANCES UNLESS DIMENSION  $\pm 0.1$   
 ANGLE  $\pm 0.5$   
 UNIT:mm

**Packing Quantity Specification**

- 1.2000Pcs/1Volume , 1Volume/1Bag
- 2.10Boxes/1Carton

**Label Form Specification**

|  |                         |
|--|-------------------------|
| <b>EVERLIGHT</b>   |                         |
| CPN:   |                         |
| P/N:   |                         |
|   | <b>RoHS</b>             |
| QTY:   | <b>PT67-21C/L41/TR8</b> |
|   | CAT:                    |
| LOT NO:  | HUE:                    |
|  | REF:                    |
| MADE IN TAIWAN   |                         |

CPN: Customer's Production Number  
P/N : Production Number  
QTY: Packing Quantity  
CAT: Ranks  
HUE: Peak Wavelength  
REF: Reference  
LOT No: Lot Number  
MADE IN TAIWAN: Production Place

**Notes**

1. Above specification may be changed without notice. EVERLIGHT will reserve authority on material change for above specification.
2. When using this product, please observe the absolute maximum ratings and the instructions for using outlined in these specification sheets. EVERLIGHT assumes no responsibility for any damage resulting from use of the product which does not comply with the absolute maximum ratings and the instructions included in these specification sheets.
3. These specification sheets include materials protected under copyright of EVERLIGHT corporation. Please don't reproduce or cause anyone to reproduce them without EVERLIGHT's consent.

**EVERLIGHT ELECTRONICS CO., LTD.**  
Office: No 25, Lane 76, Sec 3, Chung Yang Rd,  
Tucheng, Taipei 236, Taiwan, R.O.C

Tel: 886-2-2267-2000, 2267-9936  
Fax: 886-2267-6244, 2267-6189, 2267-6306  
<http://www.everlight.com>