

High Efficiency / High Uniformity  
Color-mixing Lens  
- Flood Beam



Superior color uniformity  
for white and multi-color emitters

## LLFL-3T08-H

This unique lens enables the design and implementation of new high quality, high brightness products with precision optics delivering a high quality smooth beam pattern and superior color-mixing quality. This flood beam lens combined with LedEngin 40W White LEDs provides a well-controlled, smooth light gradient for illumination applications. The high uniformity, high efficiency color-mixing design delivers exceptional color quality for 40W multi-color RGB emitters.

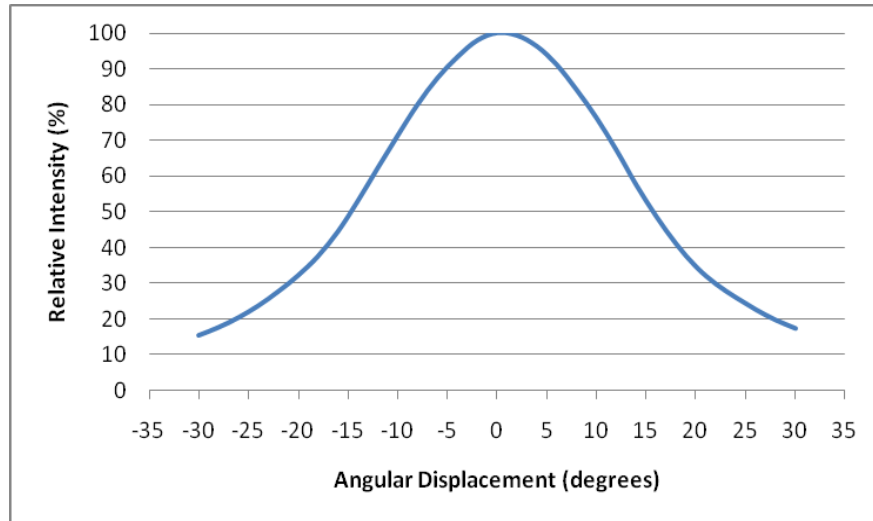
### Key Features

- Smooth light gradient eliminates hot spots and rings for superior illumination
- Superior color uniformity for multi-color RGB emitters over the full color spectrum
- High optical efficiency
- Designed specifically for 40W white and multi-color RGB emitter
- Optical grade PMMA lens material allows use of high current and temperature conditions
- Lens holder aligns with LedEngin MCPCB option for easy installation and assembly
- Lens holder fastens easily to PCB with appropriate adhesive, e.g. epoxy or polyurethane based
- Patent pending

### Optical Specifications – Typical Values

| Parameter            | Value    |
|----------------------|----------|
| Viewing Angle (FWHM) | 32°      |
| Optical Efficiency   | 80%      |
| Color Mixing         | Superior |

## Typical Relative Intensity over Angle

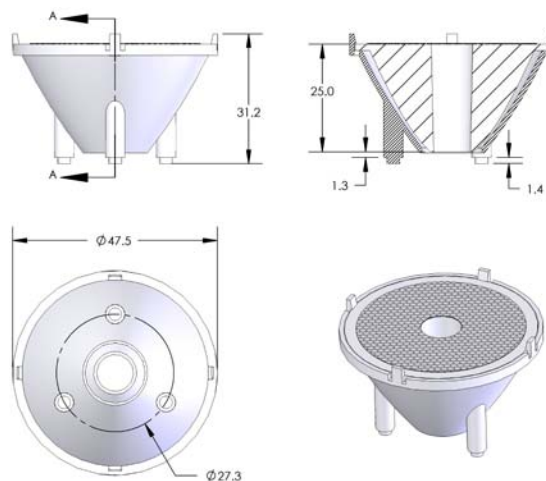


## Mechanical Specifications (Includes Lens and Holder)

| Parameter                     | Value                                 |
|-------------------------------|---------------------------------------|
| Height from Seating Plane     | 25.0mm                                |
| Maximum Width                 | 47.50mm                               |
| Operating Temperature Range   | -40°C ~ +110°C                        |
| Acceptable bonding materials* | Epoxy or polyurethane-based adhesives |

\*Note: do not use a cyanoacrylate (superglue) adhesive!

## Outline Dimensions



## Contact Information

LedEngin, Inc.  
3350 Scott Boulevard, Building #9  
Santa Clara, CA 95054 USA

Tel: +1 (408) 492-0620  
E-mail: [Sales@ledengin.com](mailto:Sales@ledengin.com)  
Website: [www.ledengin.com](http://www.ledengin.com)