



# LUXSPOT™ ALTA LUX ON TARGET

## High Performance White LED Module

**LuxSpot™ Alta** delivers the lighting equivalence of a conventional 75W halogen MR16 lamp in a sleek, stylish module. LuxSpot Alta combines LedEngin's industry leading high performance LED technology with optical, electrical, and thermal management solutions to enable this innovative source replacement, delivering both the performance of a conventional halogen light source and the benefits of solid state lighting.

Accent, track and down lighting applications:

- Retail
- Hospitality
- Museum
- General lighting

## Features

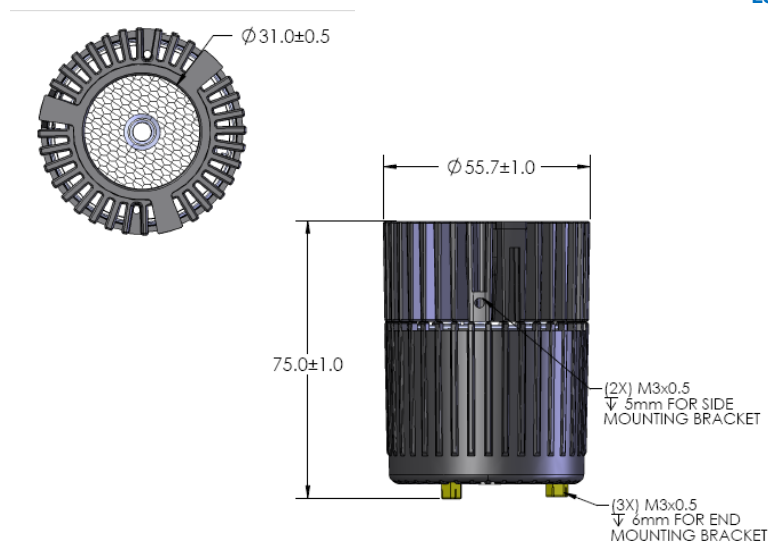
- Performance equivalent to 75W halogen PAR lamp
- 70% power savings over 75W halogen and > 10 times the service life
- Precision optic delivering high quality smooth gradient light beam pattern
- Integrated small form factor with multiple mounting options
- Industry leading lumen maintenance and colour point stability
- 24VDC
- Dimmable with external PWM dimmer
- 3 year limited warranty

## Product Options

LS17 -  Beam Angle  Color

	Temperature
<input type="checkbox"/> 202	<input type="checkbox"/> W29 2900K
<input type="checkbox"/> 203	<input type="checkbox"/> W31 3100K
<input type="checkbox"/> 203 37° Flood	<input type="checkbox"/> N41 4100K
	<input type="checkbox"/> D55 5500K

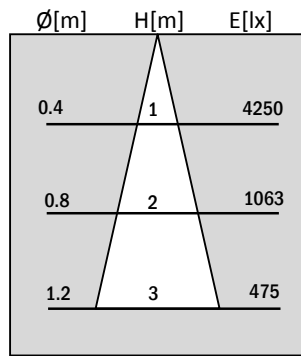
Outline Dimensions (mm)



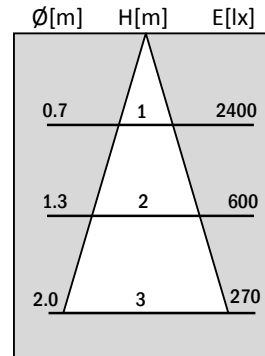
## Optical Specifications – Typical Values @ T<sub>a</sub>=25° C

Beam Angle	Part Number	Color Temperature (K)	Illuminance at 1 meter (lux)	Illuminance at 3 meters (lux)	Light Output (Lumens)	Color Rendering Index (CRI)
Narrow Flood 23°	LS17-202W27	Warm White 2700K	3760	420	800	85
	LS17-202W29	Warm White 2900K	4000	445	850	85
	LS17-202W31	Warm White 3100K	4250	475	900	85
	LS17-202N41	Neutral White 4100K	5100	570	1080	75
	LS17-202D55	Daylight White 5500K	6120	680	1250	75
Flood 37°	LS17-203W27	Warm White 2700K	1880	210	800	85
	LS17-203W29	Warm White 2900K	2000	220	850	85
	LS17-203W31	Warm White 3100K	2400	270	900	85
	LS17-203N41	Neutral White 4100K	2880	320	1080	75
	LS17-203D55	Daylight White 5500K	3450	385	1250	75

### Beam Spread Chart



3100K Narrow Flood Beam



3100K Flood Beam



High Performance  
White LED Module

**LedEngin, Inc.**

**Contact Information**

**LedEngin, Inc.**  
Tel: +1 (408) 492-0620  
3350 Scott Blvd. Bldg. 9  
Santa Clara CA 95054 USA

Email: [luxspot@ledengin.com](mailto:luxspot@ledengin.com)  
[www.luxspot.net](http://www.luxspot.net) [www.ledengin.com](http://www.ledengin.com)



### Operating Specifications

Parameter	Value
Input Voltage	24VDC
Power Consumption	21W
Noise Level	<22 dBA
Storage Temperature	-40°C to +85°C
Lumen Maintenance	Average >70% at 50K hours, T <sub>a</sub> 25°C