

High Efficiency lens  
with 32° Flood Beam  
for LZP-series 90W Watt emitters  
with holder



## LLNF-3T11-H

This 32° beam lens combined with LedEngin LZP-series 90W single color emitters provides an efficient and highly uniform smooth light gradient for illumination applications. Our unique design provides you with maximum luminous output and excellent beam uniformity.

### Key Features

- Smooth light gradient eliminates hot spots and rings for superior illumination.
- Designed specifically for LZP-series 90W single color emitter series.
- Compatible with our standard MCPCB assemblies.
- Optical grade PMMA lens material allows use of high current and temperature conditions.
- Simple fastening of holder to PCB with appropriate adhesive, e.g. epoxy or polyurethane based.
- Patent pending.

### Optical Specifications – Typical Values

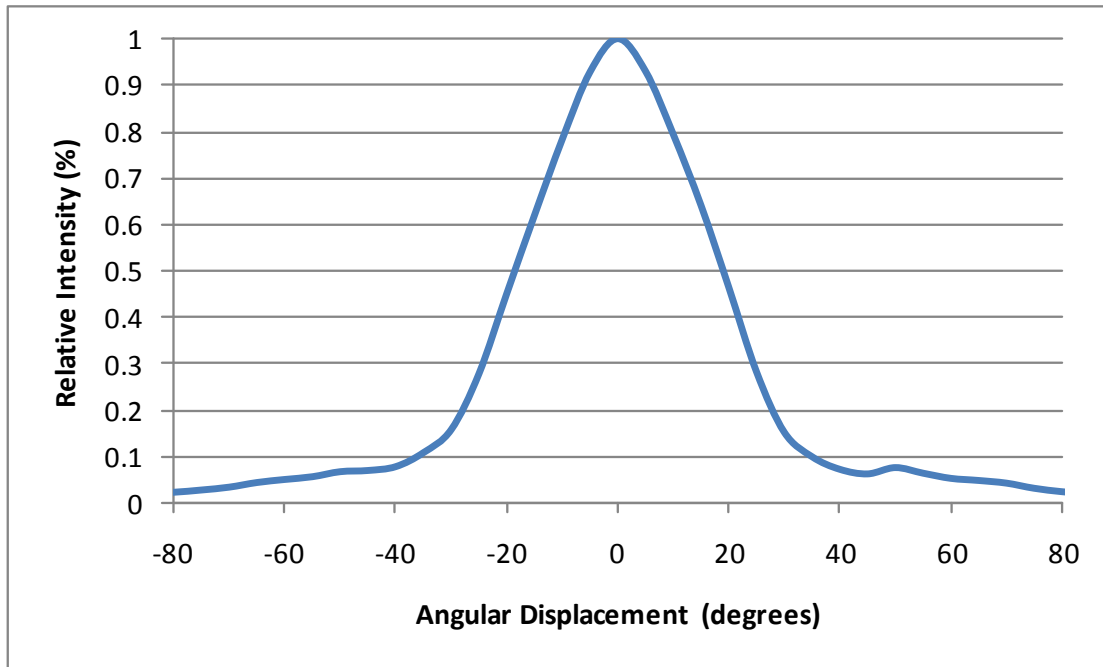
Parameter	Value
Viewing Angle (FWHM)	32°
Optical Efficiency	80%

### Mechanical Specifications

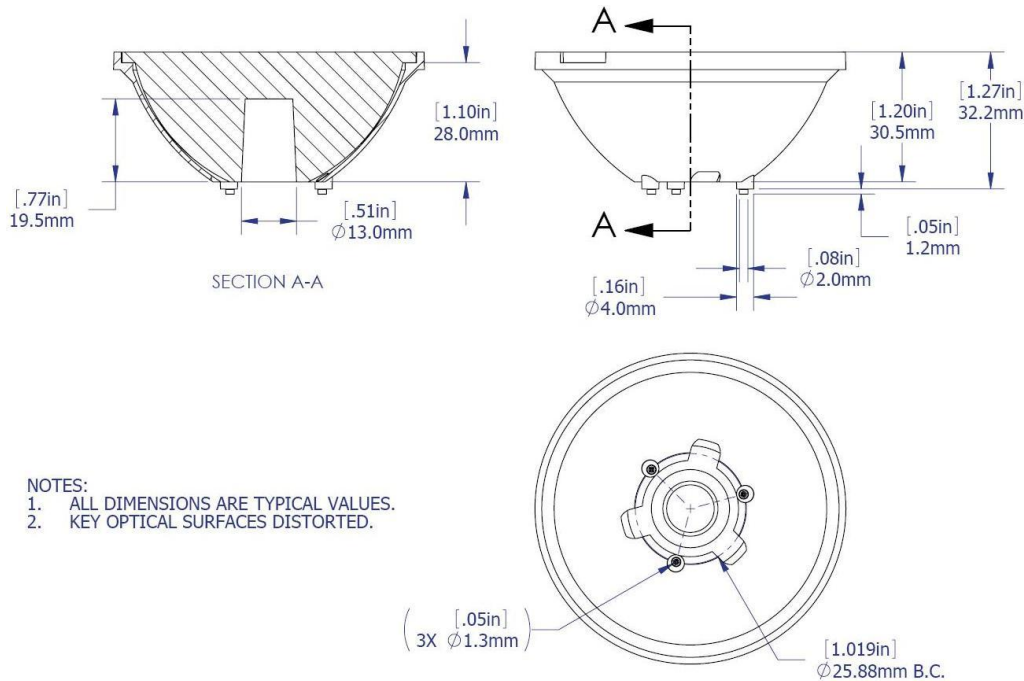
Parameter	Value
Height from Seating Plane	32.2 mm
Maximum Width	72.8 mm
Operating Temperature Range	-40°C ~ +110°C
Acceptable bonding materials*	Epoxy or polyurethane-based adhesives

\*note: do not use a cyanoacrylate (superglue) adhesive to avoid lens contamination!

## Typical Relative Intensity over Angle



## Outline Dimensions



## Contact Information

LedEngin, Inc.  
 3350 Scott Boulevard, Building #9  
 Santa Clara, CA 95054 USA

Tel: +1 (408) 492-0620  
 E-mail: [Sales@ledengin.com](mailto:Sales@ledengin.com)  
 Website: [www.ledengin.com](http://www.ledengin.com)