

LED Strip from inspired LED

12 Meter Length of LED Flexible Strip. Strip is a continuous length, adhesive backed flex circuit with 3528 LEDs evenly spaced on a reel.



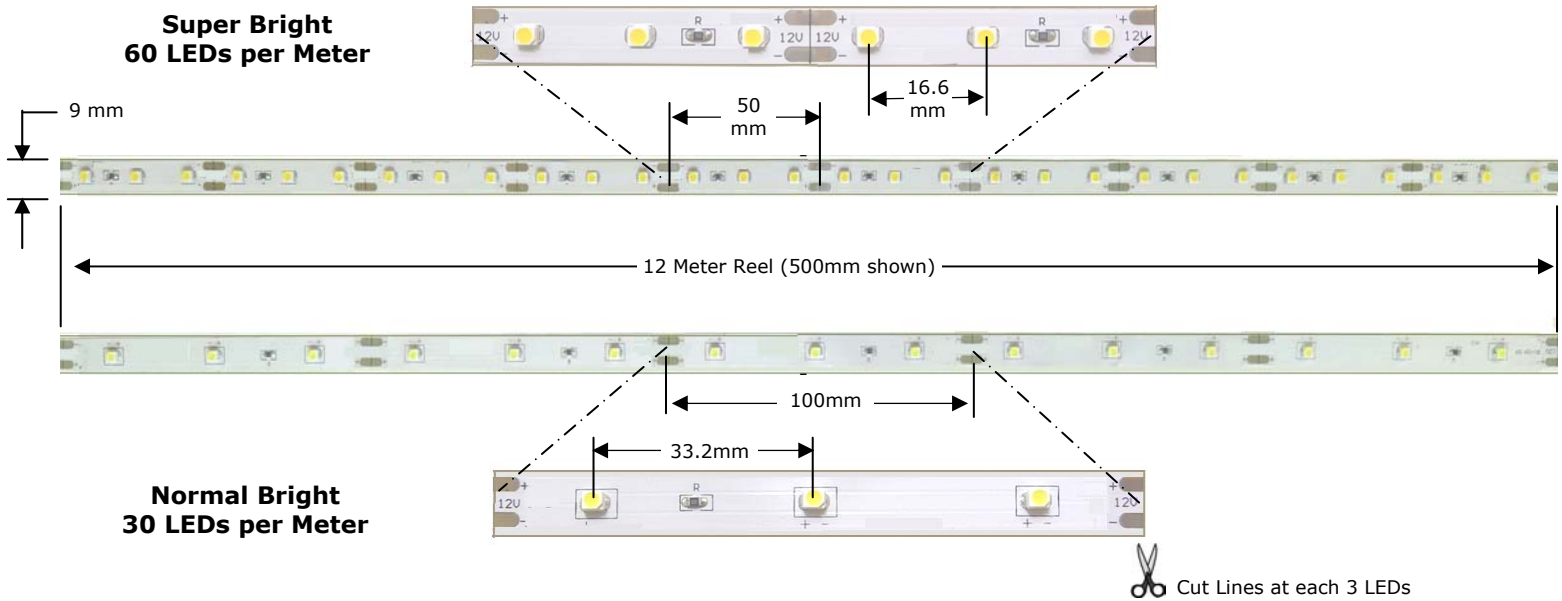
Choice of options

Brightness

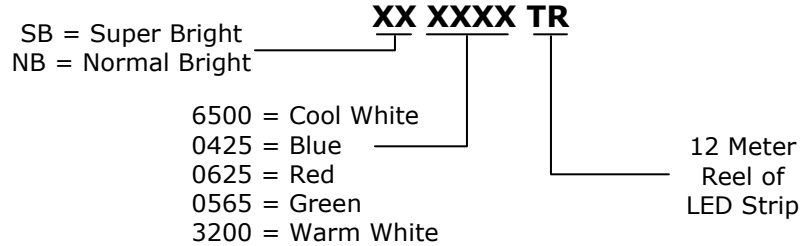
Super Bright – SB, 60 LEDs per 1 Meter Length
Normal Bright –NB, 30 LEDs per 1 Meter Length

Color

Cool White – 6500K (daylight)
Blue- 0425nm
Red-0625nm
Green-0565nm
Warm White -3200K (soft white)



Part Number



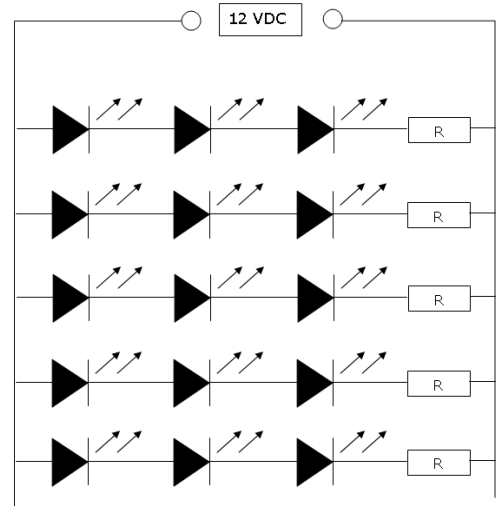
Specifications

Power Requirement – 12VDC per section of 3 LEDs. Each LED rated at .08W, 6.6MA.

Flex Circuit Rating - 4000ma. DO NOT EXCEED 4000ma FOR A CUT LENGTH OF STRIP.

LED – 32.x 2.8mm 120° viewing angle
 Cool White - 4.1 Lumen, 6500 Kelvin
 Blue – 1 Lumen, 425 nm
 Red – 1.2 Lumen, 625 nm
 Green – 1.2 Lumen, 565 nm
 Warm White – 2.5 Lumen , 3200 Kelvin

ASSEMBLY – RoHS Compliant



Super Bright
 Maximum Length is 10 meters, 600 LEDs

mm	meters	inchs	# of LEDs	ma
500	0.5	19 1/2	30	200
1000	1	39 1/2	60	400
1500	1.5	59	90	600
2000	2	78 1/2	120	800
2500	2.5	98 1/2	150	1000
3000	3	118	180	1200
3500	3.5	138	210	1400
4000	4	157 1/2	240	1600
4500	4.5	177	270	1800
5000	5	197	300	2000
5500	5.5	216 1/2	330	2200
6000	6	236	360	2400
6500	6.5	256	390	2600
7000	7	275 1/2	420	2800
7500	7.5	295 1/2	450	3000
8000	8	315	480	3200
8500	8.5	334 1/2	510	3400
9000	9	354 1/2	540	3600
9500	9.5	374	570	3800
10000	10	393 1/2	600	4000
10500	10.5	413 1/2	630	4200
11000	11	433	660	4400
11500	11.5	453	690	4600
12000	12	472 1/2	720	4800

Normal Bright
 Maximum Length is 12 meters, 360 LEDs

mm	meters	inchs	# of LEDs	ma
500	0.5	19 2/3	15	100
1000	1	39 3/8	30	200
1500	1.5	59	45	300
2000	2	78 3/4	60	400
2500	2.5	98 3/7	75	500
3000	3	118 1/9	90	600
3500	3.5	137 4/5	105	700
4000	4	157 1/2	120	800
4500	4.5	177 1/6	135	900
5000	5	196 6/7	150	1000
5500	5.5	216 1/2	165	1100
6000	6	236 2/9	180	1200
6500	6.5	256	195	1300
7000	7	275 3/5	210	1400
7500	7.5	295 2/7	225	1500
8000	8	315	240	1600
8500	8.5	334 2/3	255	1700
9000	9	354 1/3	270	1800
9500	9.5	374	285	1900
10000	10	393 5/7	300	2000
10500	10.5	413 2/5	315	2100
11000	11	433	330	2200
11500	11.5	452 3/4	345	2300
12000	12	472 4/9	360	2400

Flex Circuit Rating - 4000ma. DO NOT EXCEED 4000ma FOR A CUT LENGTH OF STRIP

User Note – Voltage drop will reduce the amount of light of LEDs furthest from the power source. For lengths over 5 meters powering from the center of the strip will produce a more consistent light over the length.

