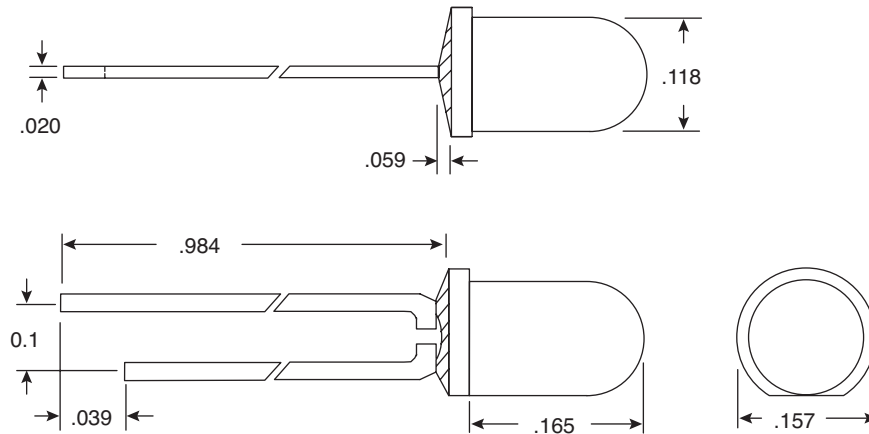




# T-1 Super Bright LED Lamps

# 351-3102-RC, 351-3103-RC



## ■ ABSOLUTE MAXIMUM RATINGS (Ta=25°C)

Symbol	Parameter	351-3102-RC	351-3103-RC
P <sub>D</sub>	<b>Power Dissipation (mW):</b>	40	100
I <sub>F</sub>	<b>Forward Current (mA):</b>	15	30
I <sub>FP</sub>	<b>Peak Forward Current (mA):</b>	60	120
I <sub>R</sub>	<b>Reverse Current @ 5V (μA):</b>	10	10
T <sub>OPR</sub>	<b>Operating Temperature Range:</b>	-40°C ~ +85°C	-40°C ~ +85°C
T <sub>STG</sub>	<b>Storage Temperature Range:</b>	-40°C ~ +100°C	-40°C ~ +100°C
	<b>Lead Soldering Temperature:</b>	.078" from body 260°C for 5 seconds	.078" from body 260°C for 5 seconds

## ■ ELECTRICAL CHARACTERISTICS (Ta=25°C)

Characteristics	351-3102-RC	351-3103-RC
<b>Dice Material:</b>	GaP/GaP	GaP/GaP
<b>Emitted Light Color:</b>	Red	Green
<b>Lens Color:</b>	Red Diffused	Green Diffused
<b>Forward Voltage (V) @ 20mA:</b>	1.7 Typical / 2.6 Maximum	1.7 Typical / 2.6 Maximum
<b>Peak Wavelength (nm):</b>	697	565
<b>Luminous Intensity (mcd) @ 10mA:</b>	3.0 Minimum / 4.5 Typical	12.0 Minimum / 30.0 Typical
<b>Viewing Angle:</b>	36°	36°

