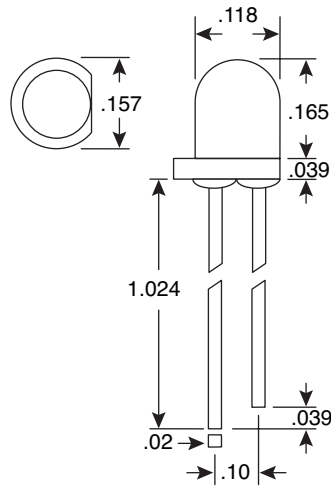




T-1 Super Bright LED Lamps 351-3232-RC, 351-3242-RC, 351-3252-RC



Specifications:

- Type: T-1 super bright LED
- Reverse current: @5V: 10uA
- Operating temperature range: -40°C ~ +85°C
- Storage temperature range: -40°C ~ +100°C
- Lead solder temperature: .079" from body
260°C for 5 seconds max.
- Viewing angle: 36°

■ Ta=25°C



RoHS Compliant

Mouser Stock No.	Dice Material	Emitted Light Color	Lens	Forward Voltage (V)		Peak Wavelength (nm)	Luminous Intensity (mcd)		Power Dissipation Max. (mW)	Forward Current Max. (mA)	Peak Forward Current Max. (mA)
				Typ	Max		Min	Typ			
351-3232-RC	GaAlAs	Red	Red Diffused	1.5	2.4	660	90	160	100	30	100
351-3242-RC	GaP	Green	Green Diffused	1.7	2.6	565	50	90	100	30	120
351-3252-RC	AlGaInP	Yellow	Yellow Diffused	1.7	2.6	590	120	220	75	30	60

