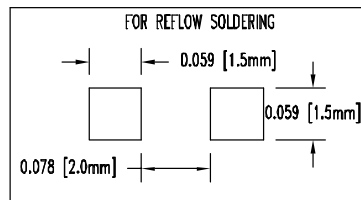
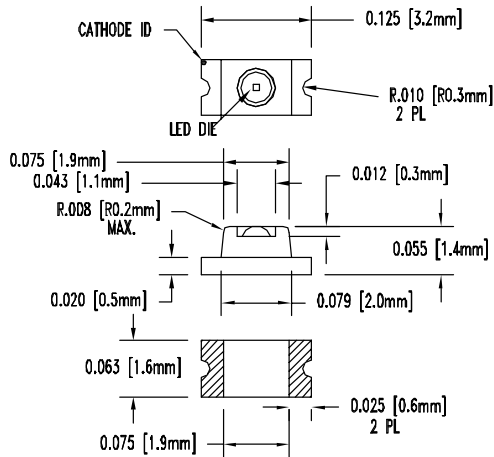


REV	DESCRIPTION	DATE	APPROVED
A	ENGINEERING RELEASE.	05/19/03	MC



**CAUTIONS: EMITS ULTRAVIOLET RADIATION!!**

This device radiates intense ultraviolet (UV) light when operated. Exposure to UV radiation can be harmful to your health. Protect your eyes and skin during operation. Do not look directly at this device during operation. Exposure to UV light, even for a brief period, can damage your eyes. Do not operate the device unless you have had proper safety training and take appropriate precautions. Do not permit children or untrained personnel to operate the device.

LED Part No.	Chip						Lens Appearance	Absolute Maximum Ratings				Electro-Optical Data @ 20mA				Viewing Angle (Deg.)
	Material	Emitted Color	Peak Wave Length $\lambda_p$ (nm)			Dom. Wave Length $\lambda_d$ (nm)		$\Delta\lambda$ (nm)	Pd (mW)	If (Typ) (mA)	Peak (If) (mA)	Vf (V)		Radiant Flux P (mW)	Optical Rise Time (t <sub>ris</sub> )	
			Min.	Typ.	Max.							Typ.	Max.			
SM1206UV-395-IL	InGaN	BLUE UV	390	395	400	430	WATER CLEAR	60	100	30	100	3.7	4.0	11.0	30	70
SM1206UV-400-IL	InGaN	BLUE UV	390	400	410	430	WATER CLEAR	60	100	30	100	3.7	4.0	12.0	30	70
SM1206UV-405-IL	InGaN	BLUE UV	400	405	410	430	WATER CLEAR	60	100	30	100	3.7	4.0	12.0	30	70

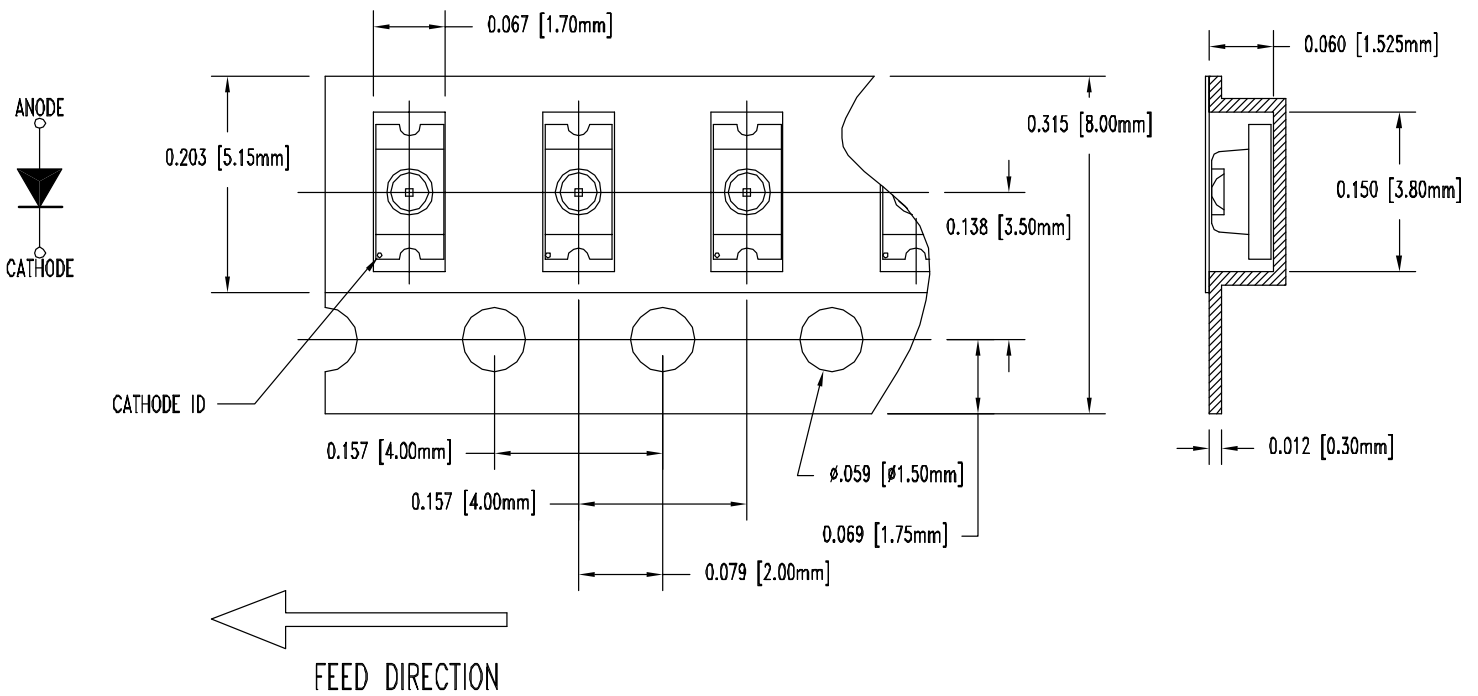
**ABSOLUTE MAXIMUM RATINGS (T<sub>a</sub>=25°C)**

ELECTROSTATIC DISCHARGE THRESHOLD (HBM) \_\_\_\_\_ 1000V  
 ELECTROSTATIC DISCHARGE CLASSIFICATION (MIL-STD-883E) \_\_\_\_\_ CLASS 2 (CLASS 1 FOR UV)  
 LED JUNCTION TEMPERATURE \_\_\_\_\_ 125°C  
 REVERSE VOLTAGE \_\_\_\_\_ 5V  
 REVERSE CURRENT (V<sub>R</sub>=5V) \_\_\_\_\_ 10uA  
 OPERATING TEMPERATURE RANGE \_\_\_\_\_ -25°C ~ 85°C  
 STORAGE TEMPERATURE \_\_\_\_\_ -30°C ~ 100°C  
 LEAD SOLDERING TEMPERATURE(1/16" FROM BODY) \_\_\_\_\_ 260°C FOR 5 SECONDS

Product resistance to electrostatic discharge (ESD) is measured by simulating ESD using a rapid avalanche energy test (RAET). The RAET procedures are designed to approximate the maximum ESD ratings shown. Seller gives no other assurances regarding the ability of Products to withstand ESD.

UNLESS OTHERWISE SPECIFIED: DIMENSIONS ARE IN INCHES		<b>Bivar®</b>	
TOLERANCES		4 THOMAS, IRVINE, CA. 92618	
DECIMALS	ANGULAR	TEL: (949) 951-8808 FAX: (949) 951-8974	
.X ± .1	X' ± 1'	PART NAME: 1206 SMD LED, UV	
.XX ± .02			
.XXX ± .010			
DESIGNER: DAVID GREEN	DATE: 05/19/03	SIZE: A	DWG NAME: SM1206UV-XXX-IL
CHECKER: M CHEN	DATE: 05/19/03	SCALE: 1=1	CAGE CODE: 32559
		SHEET 1 OF 2	

REV	DESCRIPTION	DATE	APPROVED
	SEE SHEET #1.		



- 2. UNLESS OTHERWISE SPECIFIED,  
PACKAGING TO COMPLY WITH EIA-481-B
- 1. 3000 pcs PER REEL

UNLESS OTHERWISE SPECIFIED: DIMENSIONS ARE IN INCHES		TOLERANCES		PART NAME: 1206 SMD LED, UV	
DECIMALS	ANGULAR	DECIMALS	ANGULAR		
.X	$\pm .1$	X'	$\pm 1'$	4 THOMAS, IRVINE, CA.92618 TEL: (949) 951-8909 FAX: (949) 951-8974 DWG NO: SM1206UV-XXX-IL REV A	
.XX	$\pm .02$				
.XXX	$\pm .010$				
DESIGNER	DATE	SIZE	DWG NAME	SCALE 1=1	
DAVID GREEN	05/19/03	A		CAGE CODE 32559	SHEET 2 OF 2
CHECKER	DATE				
M CHEN	05/19/03				

**Bivar**<sup>®</sup>

4 THOMAS, IRVINE, CA.92618  
TEL: (949) 951-8909 FAX: (949) 951-8974

