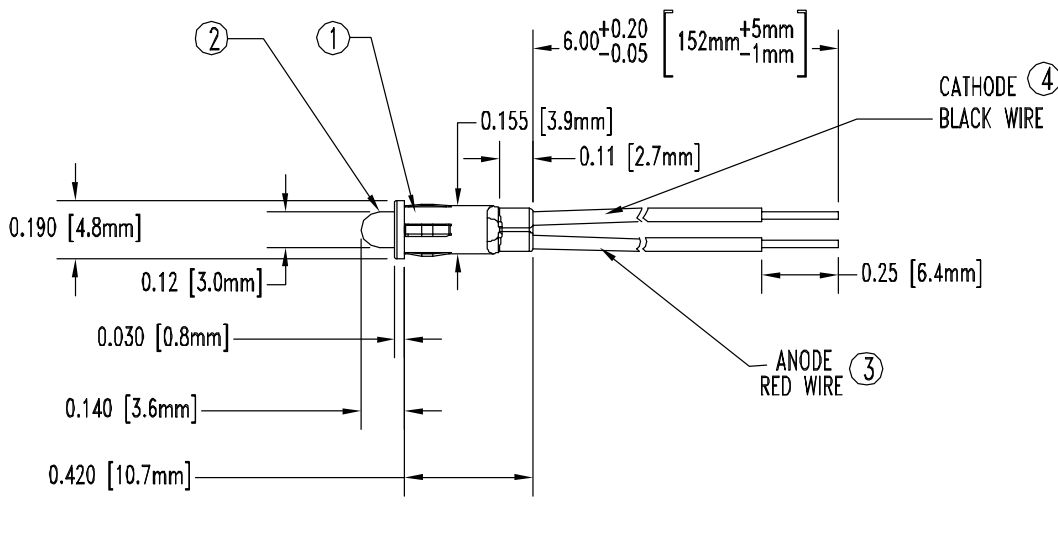


ITEM	Q'TY	PART NUMBER	PART DESCRIPTION
1	1	PM3	LED HOLDER, PANEL MOUNT, PRESS FIT, (3mm)
2	1	3GD12V	T-1 (3mm) LED, GREEN, 12 VOLT
3	1	BWS24-1061-RD	24AWG WIRE LEAD U.L. 1061, RED
4	1	BWS24-1061-BK	24AWG WIRE LEAD U.L. 1061, BLACK

REV	DESCRIPTION	DATE	APPROVED
A	ENGINEERING RELEASE.	03/02/03	MC
B	TYPO CORRECTION.	08/15/03	MC



LED Part No.	Chip			Lens Appearance	Absolute Max. Ratings			Electro-Optical Data @ 20mA			Viewing Angle (Deg.)
	Material	Emitted Color	Peak Wave Length λ_p (nm)		$\Delta\lambda$ (nm)	Pd (mW)	If (Typ) (mA)	Vf (V) Typ.	Iv (mcd) Max.	Iv (mcd) Typ.	
3GD12V	GaP/GaP	GREEN	568	DIFFUSED	-	-	10	-	12	35.0	50

ABSOLUTE MAXIMUM RATINGS ($T_a=25^\circ\text{C}$)

REVERSE VOLTAGE _____ 5V
 REVERSE CURRENT ($I_r=5V$) _____ 100 μ A
 OPERATING TEMPERATURE RANGE _____ $-25^\circ\text{C} \sim 85^\circ\text{C}$
 STORAGE TEMPERATURE _____ $-30^\circ\text{C} \sim 100^\circ\text{C}$
 LEAD SOLDERING TEMPERATURE(1/16" FROM BODY) _____ 260°C FOR 5 SECONDS

UNLESS OTHERWISE SPECIFIED: DIMENSIONS ARE IN INCHES		Bivar [®]	
TOLERANCES		4 THOMAS, IRVINE, CA.92618	
DECIMALS	ANGULAR	TEL: (949) 951-8800 FAX: (949) 951-8974	
.X $\pm .1$	X' $\pm 1^\circ$	PART NAME: T-1 (3mm) PANEL MOUNT	
.XX $\pm .02$		DESIGNER: DAVID GREEN	DATE: 03/02/03
.XXX $\pm .010$		CHECKER: M CHEN	DATE: 03/02/03
		SIZE: A	DWG NAME: PM3GD12VW6
		SCALE: 1=1	CAGE CODE: 32559
		SHEET 1 OF 1	