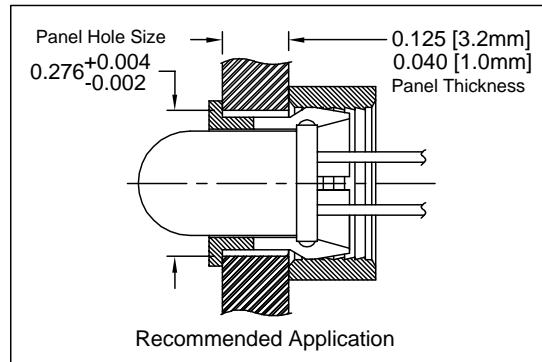
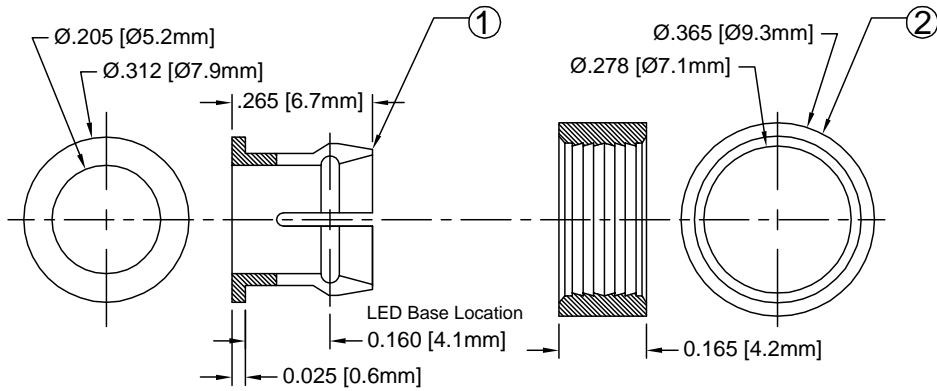



ITEM	QTY	PART NUMBER	PART DESCRIPTION
1	1	C-175	T-1¼ (5mm) LED CLIP
2	1	R-175	T-1¼ (5mm) LED RING

REV.	DESCRIPTION	DATE	APPROVED
C	Engineering Update w/o Changes	02/26/04	M. C.



2. MATERIAL: POLYPROPYLENE, 94V-0, BLACK. BIVAR MATERIAL CODE 54-BK.
1. GENERAL SPECIFICATIONS: BIVAR MOLDED COMPONENT SPECIFICATION BV00-E101.

STANDARD TOLERANCE (UNLESS OTHERWISE SPECIFIED)		 4 THOMAS, IRVINE, CA. 92618 TEL: (949) 951-8808 FAX: (949) 951-3974			
DECIMALS	ANGULAR				
.X ± .1	X° ± 1°	<b>TITLE: CLIP &amp; RING SET FOR SMALL FLANGE T-1¼ (5mm) LED</b>			
.XX ± .01					
.XXX ± .005		DESIGNED: <b>Shane Irving</b>	DATE: <b>11/18/98</b>	PART NO: <b>CR-175</b>	REVISION: <b>C</b>
		CHECKED: <b>M. Chen</b>	DATE: <b>01/09/02</b>	CAGE CODE: <b>32559</b>	SHEET # <b>1 OF 1</b>
CAD GENERATED DOCUMENT. DO NOT MEASURE DRAWING.					