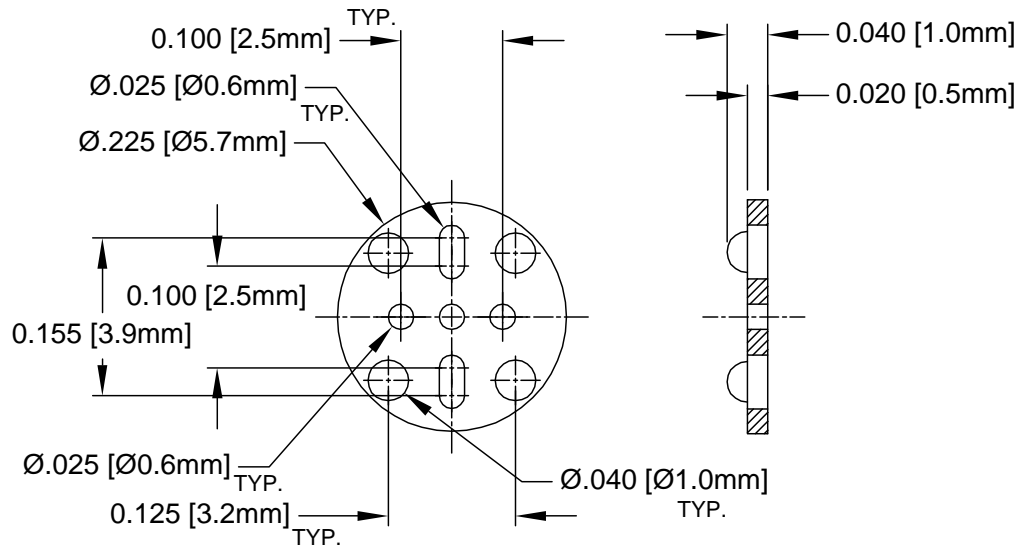




REV.	DESCRIPTION	DATE	APPROVED
C	Engineering Update w/o Changes	02/16/04	M. C.



2. MATERIAL: NYLON 6/6, 94V-2, WHITE. BIVAR MATERIAL CODE 04-WE.
 BASF ULTRAMID NYLON 6/6 A3K WHITE.
1. GENERAL SPECIFICATIONS: BIVAR MOLDED COMPONENT SPECIFICATION BV00-E101.

STANDARD TOLERANCE (UNLESS OTHERWISE SPECIFIED)		 4 THOMAS, IRVINE, CA. 92618 TEL: (949) 951-8808 FAX: (949) 951-3974	
DECIMALS	ANGULAR		
.X ± .1	X° ± 1°	TITLE: PERM-O-PAD TO-18 MOUNT	
.XX ± .01		DESIGNED: Shane Irving	DATE: 06/01/98
.XXX ± .005		CHECKED: M. Chen	DATE: 06/25/02
		PART NO: 112-040	REVISION: C
		CAGE CODE: 32559	SHEET # 1 OF 1
CAD GENERATED DOCUMENT. DO NOT MEASURE DRAWING.			