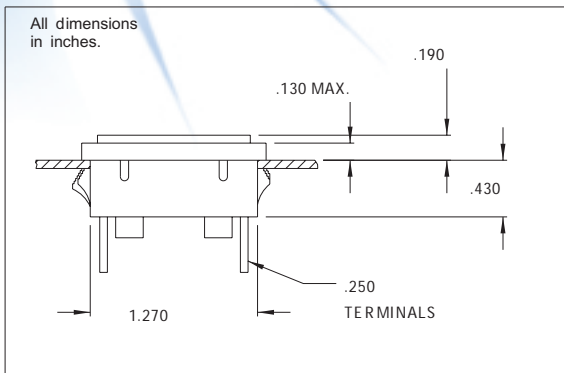


2330QD, 2332QD and 2390QD Series Non-Relampable Neon-Incandescent Indicator Lights

DESCRIPTION AND FEATURES



Mounting: Will snap-fit into .032/.100 thick panel, use speednut for other panel thicknesses. Available with speednut SN1963.
 Mounting hole pattern on page SP3.

Terminals: Quick-connect, tinned brass.

Lens: Polycarbonate

Bezel: Polished stainless steel.
 For black finish add "X" after the series letter(s).

Lens Color	Incandescent	
	Model No. (105-125VAC) .250 Terminals	Model No. (28V) .250 Terminals
Red	2330QD1	2390QD1-28V
Amber	2330QD3	2390QD3-28V
White	2330QD4	2390QD4-28V
Green	2332QD5*	2390QD5-28V
Lamp used	C6 A+Resistor	#2187

*Incorporates G2B lamp and resistor
 Underwriters Laboratories (UL) File No. E20325
 Canadian Standards Association (CSA) File No. LR13346