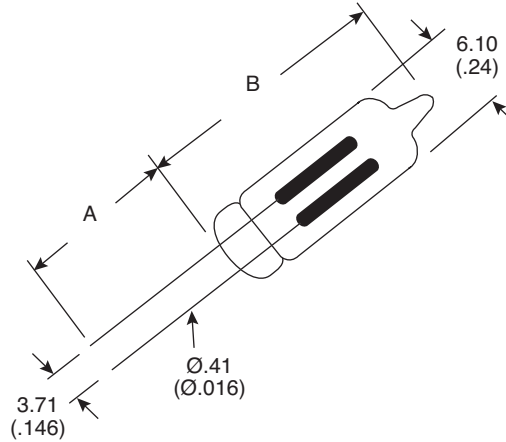




Standard Neon Lamps 36NE002, 36NE003, 36NE006, 36NE007



Dimensions: mm (in)

Electrical Specifications:

- Circuit volts: 120VAC
- Max breakdown voltage: 65VAC / 90VDC
- Average useful life: 25,000 hrs

| Mouser Stock No. | Type | Nominal | Dimensions (in.) | | Series Resistor |
|------------------|-------|--------------|------------------|-----|---|
| | | Current (mA) | A | B | |
| 36NE002 | NE-2 | .50 | 1.18 | .71 | 100K Ω |
| 36NE003 | NE-2B | .50 | 1.18 | .47 | 100K Ω |
| 36NE006 | A1B | .30 | 1.18 | .47 | 150K Ω @ 110V/360K Ω @ 220V |
| 36NE007 | NE-2E | .30 | 1.18 | .63 | 150K Ω @ 110V/360K Ω @ 220V |

