

Luminus LED Ballast

30W Single Output LED Ballast

LB-030-15-1A75-01-N

Features

Luminus LED Ballasts are ideal turn key solutions for high power LED lighting applications. The features, size and performance make them suitable for commercial lighting utilizing Luminus SST-50 devices for both indoor and outdoor installations.

- Designed for Luminus SST-50 LED
- Capable of driving 1 to 4 LED's in series at 1.75A
- Universal AC Input
- Isolated plastic case with IP64 ingress protection
- Protections: Short circuit / Overload / Over voltage
- UL1310 Class 2 power supply
- Cooling by free air convection
- RoHS Compliant

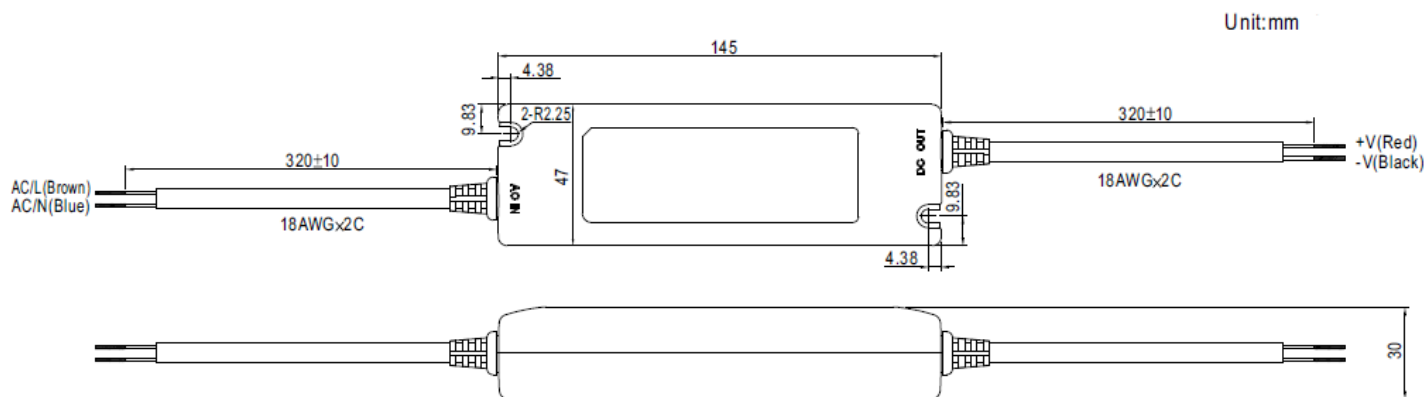


IP64

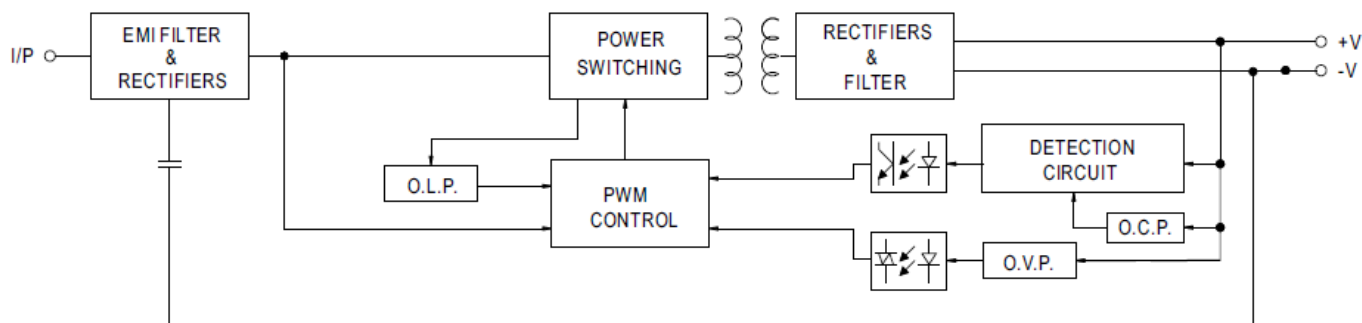
Specifications

| | | | |
|--------------|---------------------------------|---|------------------------------------|
| Output | DC Voltage | 15V | |
| | LED Operating Voltage Note 7 | 3 - 15V | |
| | Rated Current | 1.75A | |
| | Rated Power | 30W | |
| | Ripple & Noise Note 2 | 120mVp-p | |
| | Voltage Tolerance Note 3 | ± 5.0% | |
| | Load Regulation | ± 2.0% | |
| | Setup, Rise Time Note 6 | 500ms, 80ms / 230VAC | 1000ms, 80ms / 115VAC at full load |
| | HOLD UP TIME (TYP.) | 50ms/230VAC | 16ms/115VAC at full load |
| Input | Voltage Range | 90 - 264VAC | |
| | Frequency Range | 47 - 63Hz | |
| | Efficiency (Typ.) | 82% | |
| | AC Current | 0.75A/115VAC | 0.48A/230VAC |
| | Inrush Current (Max.) | COLD START 60A/230VAC | |
| | Leakage Current | 0.25mA / 240VAC | |
| Protection | Over Current Note 4 | 95 - 110% | |
| | | Protection type: Constant current limiting, recovers automatically after fault condition is removed | |
| | Over Voltage | 17.5 - 21V | |
| | | Protection type: Shut down o/p voltage, re-power on to recover | |
| Environment | Working Temp | -20 - +60 °C | |
| | Working Humidity | 20 - 90% RH non-condensing | |
| | Storage Temp., Humidity | -40 - +80 °C, 10 - 95% RH | |
| Safety & EMC | Safety Standards | UL1310 Class 2, CAN/CSA C22.2 No. 223-M91, IP64 approved, design refer to TUV EN60950-1, EN61347-2-13 | |
| | Withstand Voltage | I/P-O/P: 3KVAC | |
| | Isolation Resistance | I/P-O/P: >100M Ohms / 500VDC / 25 °C / 70% RH | |
| | EMI Conduction & Radiation | Compliance to EN55022 (CISPR22) Class B | |
| | Harmonic Current | Compliance to EN61000-3-2,-3 | |
| | EMS Immunity | Compliance to EN6100-4-2,3,4,5,6,8,11; ENV50204, EN55024, light industry level, criteria A | |
| Other | MTBF | 628.3Khrs min. MIL-HDBK-217F (25 °C) | |
| | Dimension | 145 * 47 * 30mm (L*W*H) | |

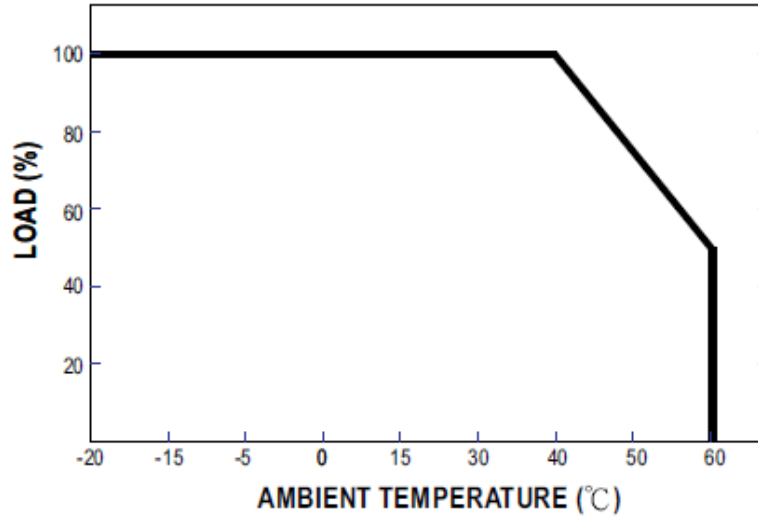
Mechanical Drawing



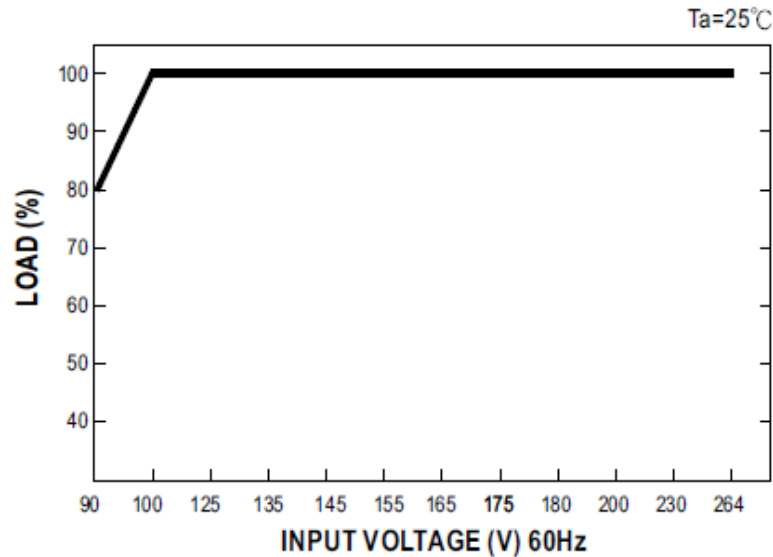
Block Diagram



Derating Curve



Static Characteristics



NOTES:

1. All parameters NOT specially mentioned are measured at 230VAC, rated load and 25°C ambient temperature.
2. Ripple & noise are measured at 20MHz of bandwidth by using a 12" twisted pair wire terminated with a 0.1uf & 47uF parallel capacitor.
3. Tolerance: includes set up tolerance, line regulation and load regulation.
4. Derating may be needed under low input voltage. Please check the derating curve for more details.
5. The power supply is considered a component which will be installed in final equipment. The final equipment must be re-confirmed that it still meets EMC directives.
6. Length of set up time is measured at first cold start. Turning the power supply ON/OFF may lead to increase of set up time.
7. Constant current operation region is within the specified output voltage range above. This is the suitable operation region for LED related applications.

Ordering Information

| Ordering Part Number | Description |
|----------------------|---|
| LB-030-15-1A75-01-N | 30W LED ballast, 3 - 15V / 1.75A output |

www.luminus.com

The products, their specifications and other information appearing in this document are subject to change by Luminus Devices without notice. Luminus Devices assumes no liability for errors that may appear in this document, and no liability otherwise arising from the application or use of the product or information contained herein. None of the information provided herein should be considered to be a representation of the fitness or suitability of the product for any particular application or as any other form of warranty. Luminus Devices' product warranties are limited to only such warranties as accompany a purchase contract or purchase order for such products. Nothing herein is to be construed as constituting an additional warranty. No information contained in this publication may be considered as a waiver by Luminus Devices of any intellectual property rights that Luminus Devices may have in such information. PhlatLight® is a registered trademark of Luminus Devices, Inc., all rights reserved.